

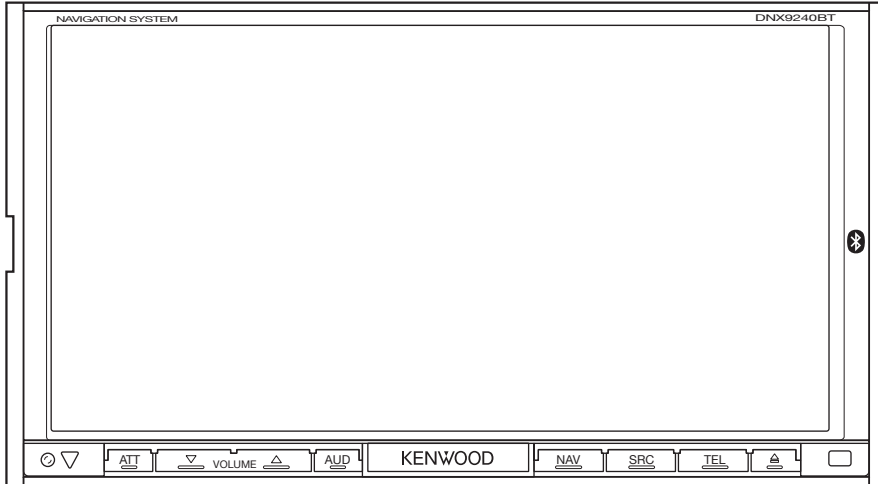
MONITOR WITH DVD RECEIVER / NAVIGATION SYSTEM  
**DDX8024BT/8034BT/8034BTM**  
**/8054BT/814**  
**DNX9140/9240BT**  
**SERVICE MANUAL**

# KENWOOD

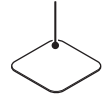
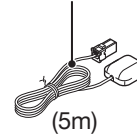
Kenwood Corporation

© 2009-4 PRINTED IN JAPAN  
 B53-0725-00 (N) 341

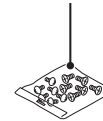
Illustrations is DNX9240BT



ANT module(GPS-ANT)\* (W02-5305-05)    Mounting hardware\* (J21-9867-04)



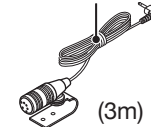
Screw set\* (N99-1779-15)



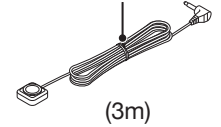
Adhesive double-coated tape\* (H30-0595-04)



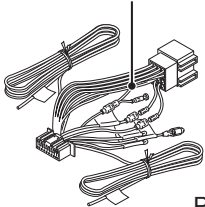
Microphone (W01-1718-05)



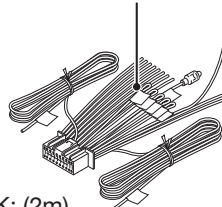
Cord with pinplug\* (E30-6889-05)



DC cord\* (E30-6881-15)

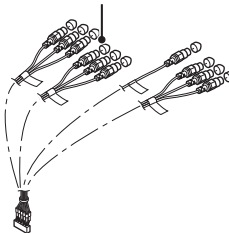


DC cord\* (E30-6796-05)

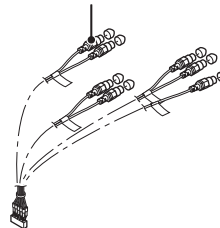


PRK: (2m)  
 REV: (5m)

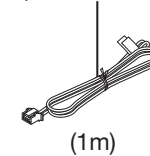
Cord with pinplug(AV) (E30-6901-05)



Cord with pinplug(PRE) (E30-6900-05)



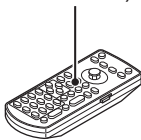
Cord with plug(relay) (E30-6786-05)



Clamper\* (J11-0660-05)



Remote controller assy (A70-2082-15)

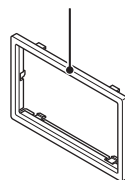


RC-DV330

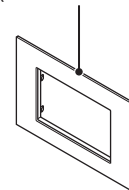
Size AAA battery (Not supplied)



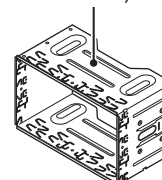
Escutcheon (B07-3224-31)



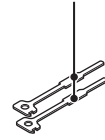
Escutcheon\* (B07-3172-12)



Mounting hardware assy (J22-0657-03)



Lever (D10-7012-04) x2



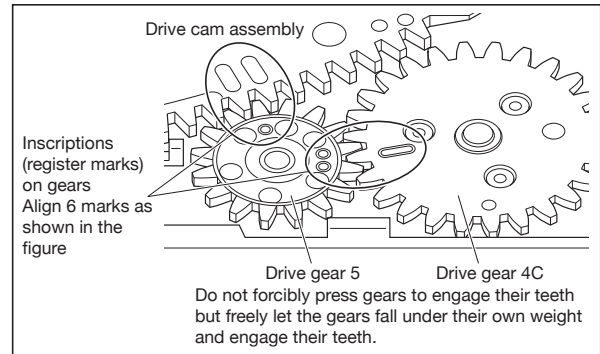
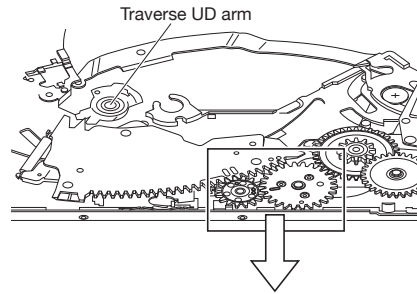
- The IC101,102 and IC801 in the Video control unit (X15-129) are not replaceable components. When this IC are defective, replace the whole Video control unit (X15-129x-xx).
- The IC1 in the Sub-circuit unit (X16-659) are not replaceable components. When this IC are defective, replace the whole Sub-circuit unit (X16-659x-xx).
- The IC3 and IC11 in the DVD unit (X37-1250-00) are not replaceable components. When these ICs are defective, replace the whole DVD mechanism assembly (X92-6400-00). You cannot replace only the board.
- **Microcomputer's Terminal Description, Test Mode and Adjustment are the same as DDX6034's.**  
**Please refer to the service manual (DDX6034's: B53-0720-00).**

\* Depends on the models. Refer to the parts list.



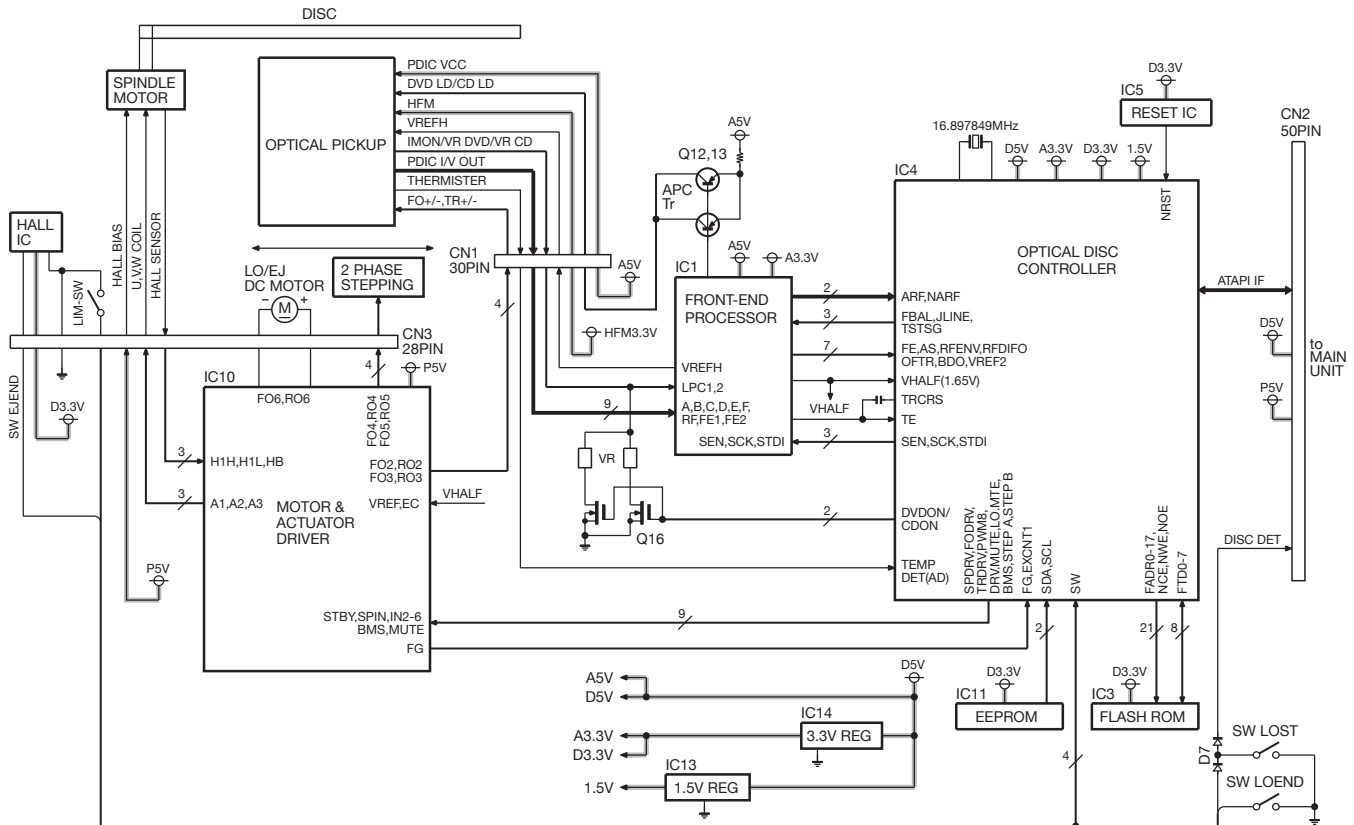
# GEAR POSITION IN A DVD MECHANISM

In assembling the Traverse UD arm, Drive cam assembly, Drive gear 5 and Drive gear 4C, align register marks on these components.

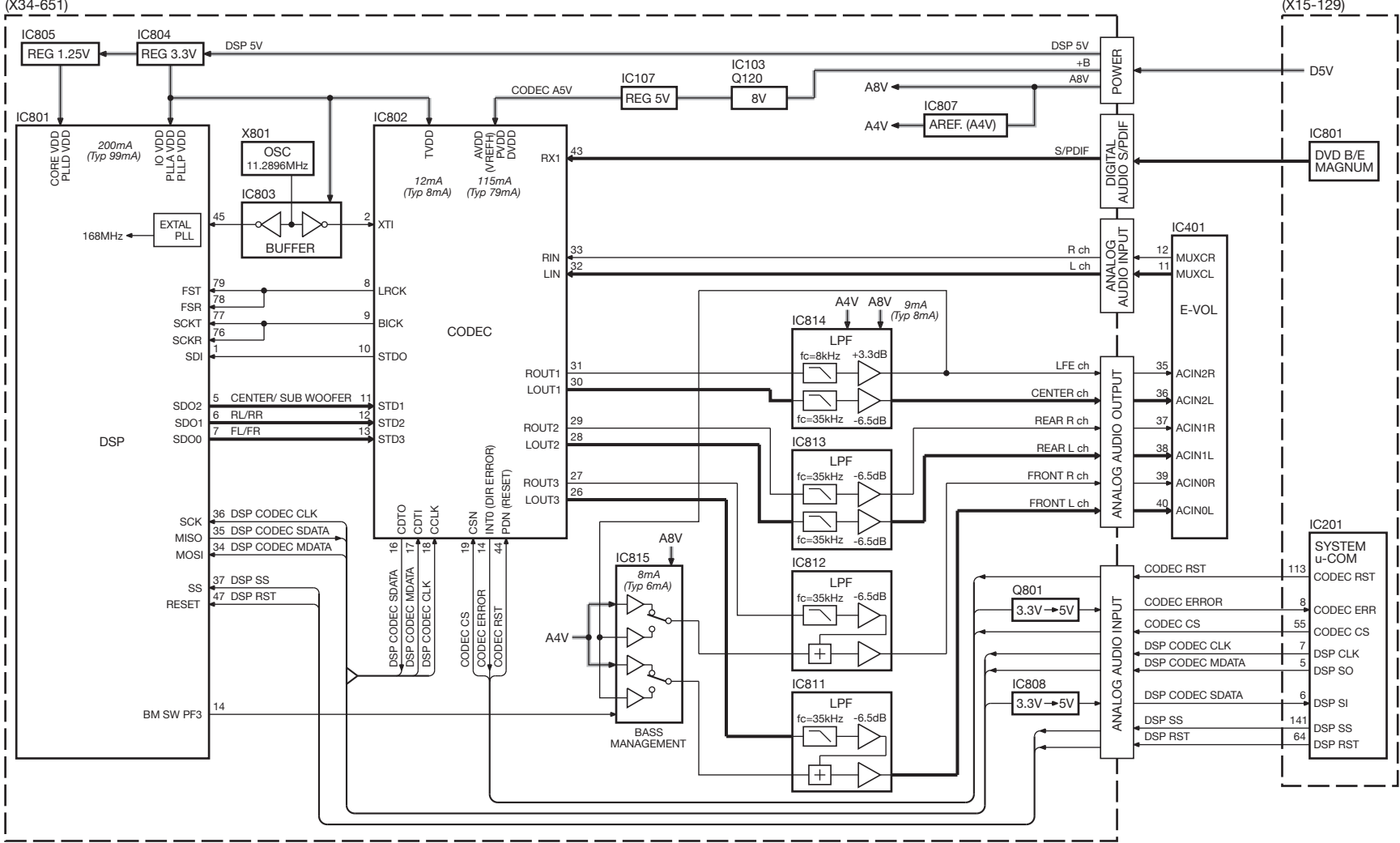


# BLOCK DIAGRAM

DVS-8220V/W BLOCK DIAGRAM (X37-123/125)



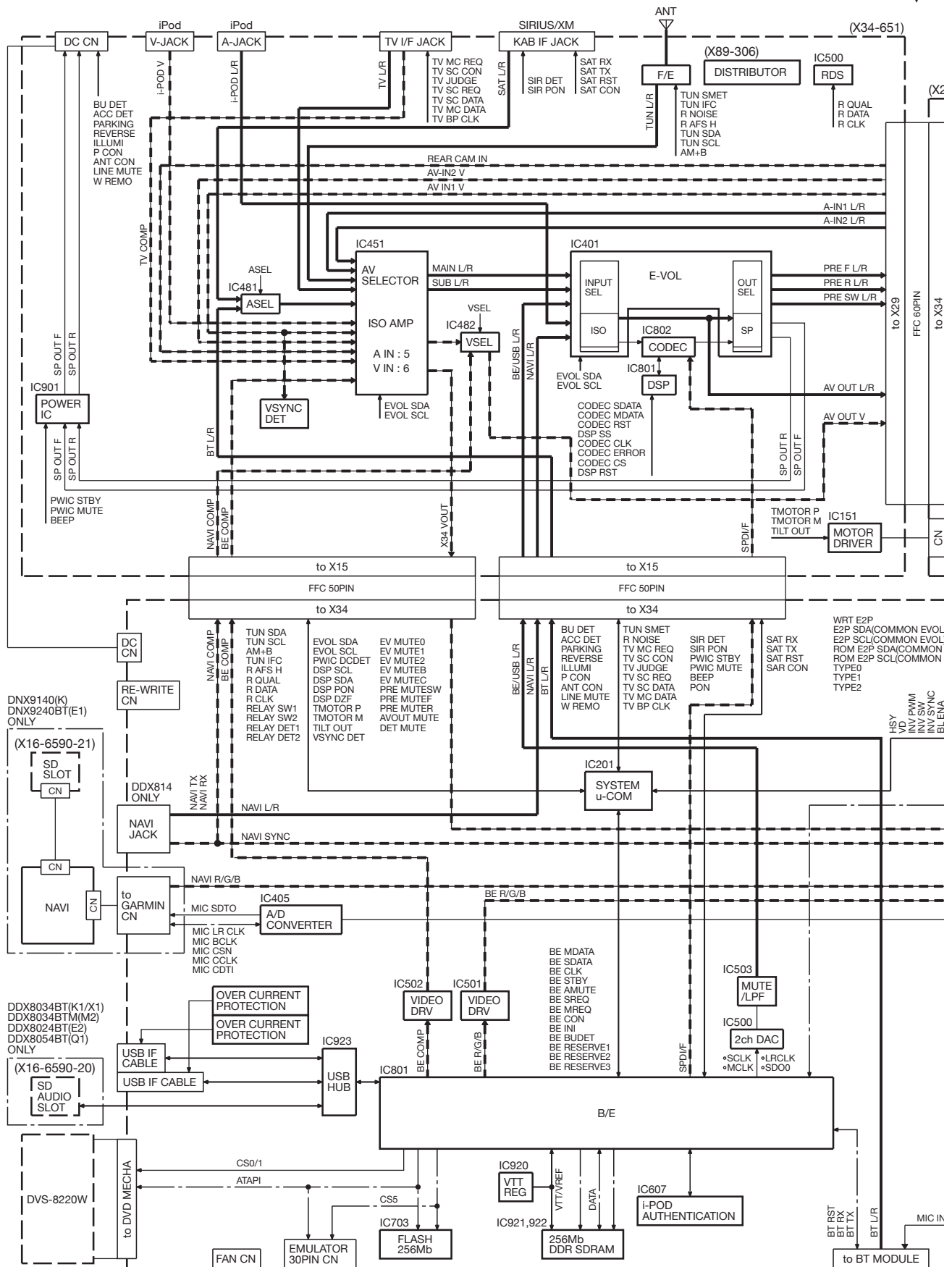
DSP SYSTEM  
(X34-651)



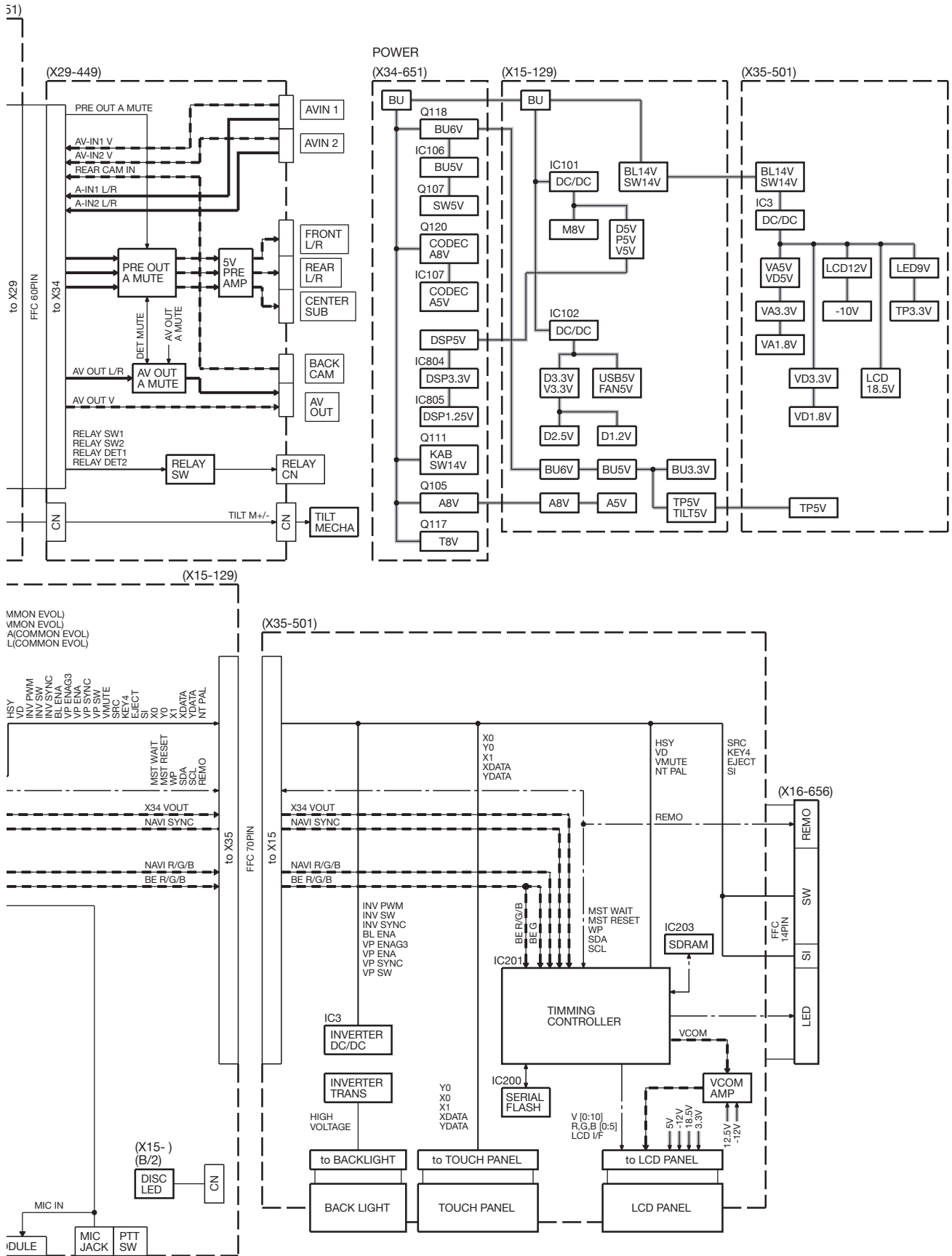
**BLOCK DIAGRAM**

DDX8024BT/8034BT/8034BTM/8054BT/814  
DNX9140/9240BT

# BLOCK DIAGRAM



# BLOCK DIAGRAM



## COMPONENTS DESCRIPTION

### ● VIDEO CONTROL UNIT (X15-129x-xx)

Ref. No.	Application / Function	Operation / Condition / Compatibility
IC1	Regulator	For BU5V Regulator IC
IC2	Regulator	For BU3.3V Regulator IC
IC5	OP-AMP X 2	For Audio Reference 4V
IC101	DCDCcontrol IC	Mecha8V/D, P, V5V DCDCconvertor IC
IC102	DCDCcontrol IC	USB5V/D, V3.3V DCDCconvertor IC
IC103	INVERTOR	For IC101 control signal
IC201	MCU IC	System control IC
IC202	Voltage detect IC	Reset signal generate at 3.6V
IC203	EEPROM	For System memory
IC205	AND Logic IC	Navi RX 3.3V→5V convert (DNX)
IC207	AND Logic IC	TV SC DATA 3.3V→5V convert
IC208	AND Logic IC	INV SYNC 3.3V→5V convert
IC209	Buffer x3 IC	INV SYNC driver
IC210	Buffer x3 IC	VP SYNC driver
IC301	3state Buffer IC	R_CAM_INT control
IC302	NOR x2 IC	VMUTE control
IC303	NOR x1 IC	BE VMUTE control
IC401	AND Logic IC	REMOCON signal OR curcuit
IC403	3state Buffer x2 IC	BT signal buffer
IC404	OP-AMP X 2	BT audio signal LPF
IC405	Audio ADC	NAVI-SPEECH_RECOGNITION A/D CONVERTOR
IC406	Regulator	FOR IC405 D5V→3.3V
IC500	AudioDAC	DVD-BE AUDIO D/A CONVERTOR
IC501	RGB video buffer	DVD-BE RGB LPF
IC502	Composite video buffer	DVD-BE Composite LPF
IC503	OP-AMP X 2	DVD Audio LPF
IC504	Regulator	FOR BE DecoderIC D3.3V→D1.2V
IC505	Regulator	FOR Aduio DAC A8V→A5V
IC506	Regulator	FOR BE DecoderIC DDR D3.3V→D2.5V
IC507	Regulator	FOR SD Controller IC D5V→D3.3V
IC605	Fixed Current Limit Power Distribution Switch	For USB VBUS Hihg side Switch
IC607	iPod Authentication Coprocessor	iPod Authentication
IC608	Fixed Current Limit Power Distribution Switch	For USB VBUS Hihg side Switch
IC700	INVERTOR	Flash ROM A24 invert
IC703	256Mbit FLASH ROM	For DVD Decoder FLASH ROM
IC704	INVERTOR	Flash ROM A22 invert
IC705	INVERTOR	Flash ROM A23 invert
IC800	FRAM IC 64kbit	For BE Resume memory
IC801	MPEG DECODER	DVD/USB MPEG DECODER
IC920	Regulator	For DDR termination
IC921,922	256Mbit DDR DRAM IC	For MPEG DECODER DDR SDRAM

# COMPONENTS DESCRIPTION

Ref. No.	Application / Function	Operation / Condition / Compatibility
IC923	USB Hub IC	USB 3Port Hub
Q1-9	SW	BU_DET control
Q10	Power supply	Tilt/TP5V ON/OFF
Q11	SW	Q10 control
Q14-16	SW	BL14V control
Q17	SW FET	BL14V ON/OFF
Q18	SW	DET_MUTE invert
Q91	SW	Disc LED ON/OFF control
Q101	SW FET	DCDC SW FET (Mecha8V)
Q102	SW FET	DCDC SW FET (D5V)
Q103	SW	IC101 DCDC control1
Q104	SW	IC101 DCDC control2
Q105	SW	Tilt Speed control sw
Q107	SW FET	DCDC SW FET (USB5V)
Q108	SW FET	DCDC SW FET (D3.3V)
Q201	SW	KEY_RESET detect
Q202	SW	Reset signal control sw by KEY_RESET
Q203	SW	NAVI_RESET signal control
Q204	SW	TV_RESET signal control
Q206	SW	Sirius detector
Q207	SW	DSI on/off SW
Q500	Power supply	D3.3V→2.6V Regulate
Q501	SW	Q500 control
Q504,505	Buffer	SPDIF Output Buffer

## ● SWITCH UNIT (X16-6560-10)

Ref. No.	Application / Function	Operation / Condition / Compatibility
IC1	Remote control sensor	Infrared Detection unit for Remote Control

## ● SUB-CIRCUIT UNIT (X16-6590-2x)

Ref. No.	Application / Function	Operation / Condition / Compatibility
IC1	SD Card control IC	SD Card controller. Data conversion from SD to USB
Q1	Power supply	SD Card power.

## ● CONTROL CIRCUIT UNIT (X29-4490-13)

Ref. No.	Application / Function	Operation / Condition / Compatibility
IC100-102	OP amp	5V_AMP
IC103	Voltage Converter	Power supply (9V→-9V)
Q4	Transistor	AV OUT_AR Mute
Q5	Transistor	AV OUT Mute SW
Q6	Transistor	AV OUT_AL Mute
Q100	Transistor	PRE FL_Mute
Q101	Transistor	PRE OUT F/R Mute SW
Q102	Transistor	PRE FR_Mute

## COMPONENTS DESCRIPTION

Ref. No.	Application / Function	Operation / Condition / Compatibility
Q103	Transistor	PRE RL_Mute
Q104	Transistor	PRE RR_Mute
Q105	Transistor	PRE SWR_Mute
Q106	Transistor	PRE OUT SWR/CENTER Mute SW
Q107	Transistor	PRE CENTER_Mute
Q108	Transistor	P_ON SW
Q109,110	Transistor	+B SW
Q111-116	Transistor	Voltage Converter circuit (9V→-9V)
Q200-205	Transistor	Relay SW1output, and over current detection circuit
Q206-211	Transistor	Relay SW2output, and over current detection circuit

### ● ELECTRIC UNIT (X34-651x-xx)

Ref. No.	Application / Function	Operation / Condition / Compatibility
IC101	3-terminal regulator	A8V Power Supply
IC102	3-terminal regulator	V8V Power Supply
IC103	3-terminal regulator	SimpleDSP5V / CODEC8V Power Supply
IC104	3-terminal regulator	T8V Power Supply
IC106	3-terminal regulator	BU5V Power Supply
IC107	3-terminal regulator	CODEC5V Power Supply
IC151	MOTOR DRIVER IC	TILT MECHA MOTOR DRIVE Power Supply
IC401	Electoric Vol IC	Audio Vol Control, Audio Signal Select
IC451	AV selector IC	Audio & Video Signal Select
IC481	Analog SW IC	Audio Signal Select
IC482	Video AMP IC	Video Signal Select
IC500	RDS Decoder IC	RDS Signal Processing etc
IC600	Logic IC (AND)	TV-TUNER Remo Signal Baff
IC651	Logic IC (AND)	KAB Signal Level shift
IC801	DSP IC	Processing of computing for Dolby 5.1ch,dts etc.
IC802	CODEC IC	DIR and A/D,D/A converter
IC803	Inverter IC	DSP & CODEC IC Clock Buff
IC804	5-terminal regulator	DSP3.3V Power Supply
IC805	3-terminal regulator	DSP1.25V Power Supply
IC807	OP AMP IC	AREF (LPF4V) Power Supply
IC808	Logic IC (AND)	DSP Signal Level Shift
IC811	OP AMP IC	For audio signal LPF (Center. Sub-woofer)
IC812	OP AMP IC	For audio signal LPF (Rear)
IC813,814	OP AMP IC	For audio signal LPF (Front)
IC815	BASS MANAGEMENT IC	BASS MANAGEMENT
IC901	Power IC	Power AMP
Q1	Transistor	Reverse Detect
Q2	Transistor	Parking Detect
Q3	Transistor	ILLUMI Detect
Q4	Transistor	ACC Detect
Q5-8	Transistor	P_CON Supply
Q9,10	Transistor	ANT_CON Supply



**COMPONENTS DESCRIPTION**

Ref. No.	Application / Function	Operation / Condition / Compatibility
Q101,102	Transistor	SW14V Power Supply
Q103-105	Transistor	A8V Power Supply
Q106,107	Transistor	SW5V Power Supply
Q108	Transistor	KAB_SW14V Power Supply
Q109,110	Transistor	SimpleDSP5V / CODEC8V Power Supply
Q111	Transistor	KAB_SW14V Power Supply
Q112-114	Transistor	V8V Power Supply
Q115-117	Transistor	T8V Power Supply
Q118,119	Transistor	BU6V Power Supply
Q120	Transistor	SimpleDSP5V / CODEC8V Power Supply
Q301-308	Transistor	AVIN VSYNC Detect
Q481	Transistor	E-Vol Iso REF_Vcc Power Supply
Q500,501	Transistor	AM+B Power Supply
Q650,651	Transistor	KAB RX Level Shift
Q653,654	Transistor	KAB TX Level Shift
Q656	Transistor	PREOUT MUTE Level Shift (Front)
Q657	Transistor	PREOUT MUTE Level Shift (SW)
Q659	Transistor	PREOUT MUTE Level Shift (Rear)
Q660	Transistor	Detect MUTE
Q801	Transistor	CODEC_ERROR Singal Level Shift

## ● VIDEO UNIT (X35-5010-11)

Ref. No.	Application / Function	Operation / Condition / Compatibility
IC1	Regulator	3.3V regulator
IC2	Regulator	1.8V regulator
IC3	DC/DC converter / Inverter control IC	LCD, VCOM AMP, LCD control IC, and LED (5V, 3.3V, +0V, -12V, and +18V) power supply circuit, and control/drive the inverter circuit for backlight.
IC4	Regulator	1.8V regulator
IC5	Regulator	3.3V regulator
IC200	F ROM	QVGA MODEL (MP) for Mstar FW
IC200	F ROM	VGA MODEL (MP) for Mstar FW
IC201	Chroma and Gamma T/C scalar	Control LCD module
IC202	NOT	Reverse
IC203	SD RAM	For video signal storage
IC204,205	NOT	Reverse
IC400,401	Op amp	For VCOM amplifier
Q1	Switch	SW to change the free run frequency of DC/DC converter / Inverter control IC
Q2	Step-down circuit	5V for DC/DC step-down
Q3	Switch	SW to change the free run frequency of DC/DC converter / Inverter control IC (for DC/DC)
Q4	Step-down circuit	DC/DC step-down (for 3.3V)
Q6	Step-up circuit	DC-DC step-up (for +10V and +18V)
Q7,8	Inverter driver	Drive inverter circuit
Q9,10	Switch	SW to change the free run frequency of DC/DC converter / Inverter control IC (for INVERTER)
Q13-16	+12V regulator control	+12V regulator for VCOM amplifier

## COMPONENTS DESCRIPTION

Ref. No.	Application / Function	Operation / Condition / Compatibility
Q17	Inverting circuit	DC/DC inversion (for -12V)
Q18-20	Switch	-12V rising sequence delay
Q21,22	Switch	+18V rising sequence delay
Q23,24	Switch	-12V rising sequence delay
Q25,26	Switch	+12V rising sequence delay
Q27,28	Switch	+18V rising sequence delay
Q200	Switch	For Mstar RESET
Q201	Buffer	Extract SYNC from video G signal.
Q401,402	Buffer	For VCOM current amplification
Q403	Buffer	For VCOM auto adjustment
Q500	Touch panel X1 SW	X1 SW: Be turned on when the touch panel is touched or when there is an input at X axis, and apply voltage
Q501	Touch panel X0 SW	X0 SW: Be turned on when there is an input at X axis, and apply voltage
Q502	Touch panel X1 SW	X1 SW: Be turned on when the touch panel is touched or when there is an input at X axis, and apply voltage
Q503	Touch panel Y0 SW	Y0 SW: Be turned on when there is an input at Y axis, and apply voltage
Q504	Touch panel Y1 SW	Y1 SW: Be turned on when there is an input at Y axis, and apply voltage
Q505	Touch panel Y0/Y1 SW	Y0/Y1 SW: Be turned on when there is an input at Y axis, and be turned off when there is an input at X axis
Q600	For turning on LED R	Constant current circuit controlled by LED R PWM
Q601	For turning on LED G	Constant current circuit controlled by LED G PWM
Q602	For turning on LED B	Constant current circuit controlled by LED B PWM
Q603	For turning on LED R	Constant current circuit controlled by LED R PWM

### ● DAUGHTER UNIT (X89-3062-72)

Ref. No.	Application / Function	Operation / Condition / Compatibility
Q1	AMP	GAIN_AMP in FM band

### ● DVD UNIT (X37-1250-00)

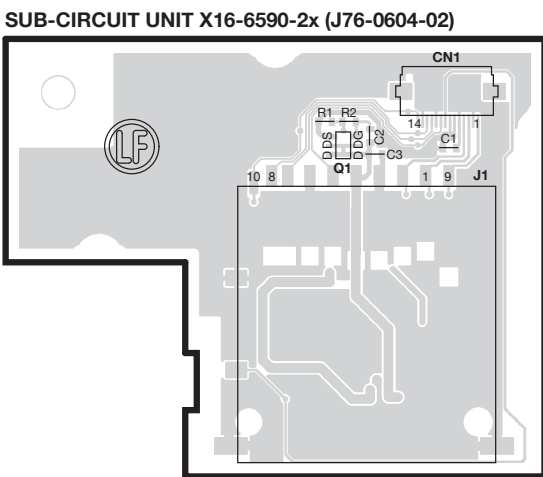
Ref. No.	Application / Function	Operation / Condition / Compatibility
IC1	RF signal processing IC	RF signal processing
IC3	FLASH ROM	Maintain F/W for optical DISC control IC
IC4	Optical disc control IC in $\mu$ -com	Optical DISC general control / ATAPI interface
IC5	Voltage detection IC	For system resetting of optical DISC control IC
IC10	Driver IC	Focus coil, Tracking coil, Spindle motor, Sled motor and Lo/Ej motor drive
IC11	EEPROM	Maintain data for optical DISC control IC
IC13	1.5V power supply	5V $\rightarrow$ 1.5V
IC14	3.3V power supply	5V $\rightarrow$ 3.3V
Q1	Register integrated transistor	SL. MUTE control
Q2	Register integrated transistor	For FG signal
Q3	Register integrated transistor	LO.MUTE control
Q4	Register integrated transistor	DRMU control
Q12	Transistor for APC	Laser diode brightness control for CD
Q13	Transistor for APC	Laser diode brightness control for DVD
Q16	MOS-FET	Laser diode ON/OFF control for DVD/CD

# PC BOARD (COMPONENT SIDE VIEW)

# PC BOARD (FOIL SIDE VIEW)

SWITCH UNIT  
X16-6560-10  
(J76-0592-02)

SWITCH UNIT  
X16-6560-10  
(J76-0592-02)

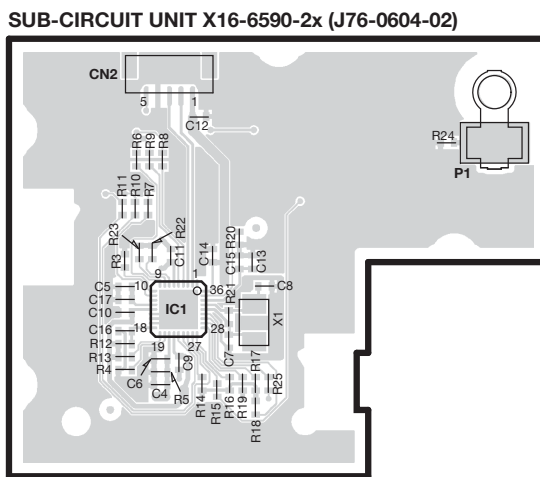


**X16-6590-2x**

Ref. No.	Address
Q1	3B

**X16-6560-10**

Ref. No.	Address
IC1	7A



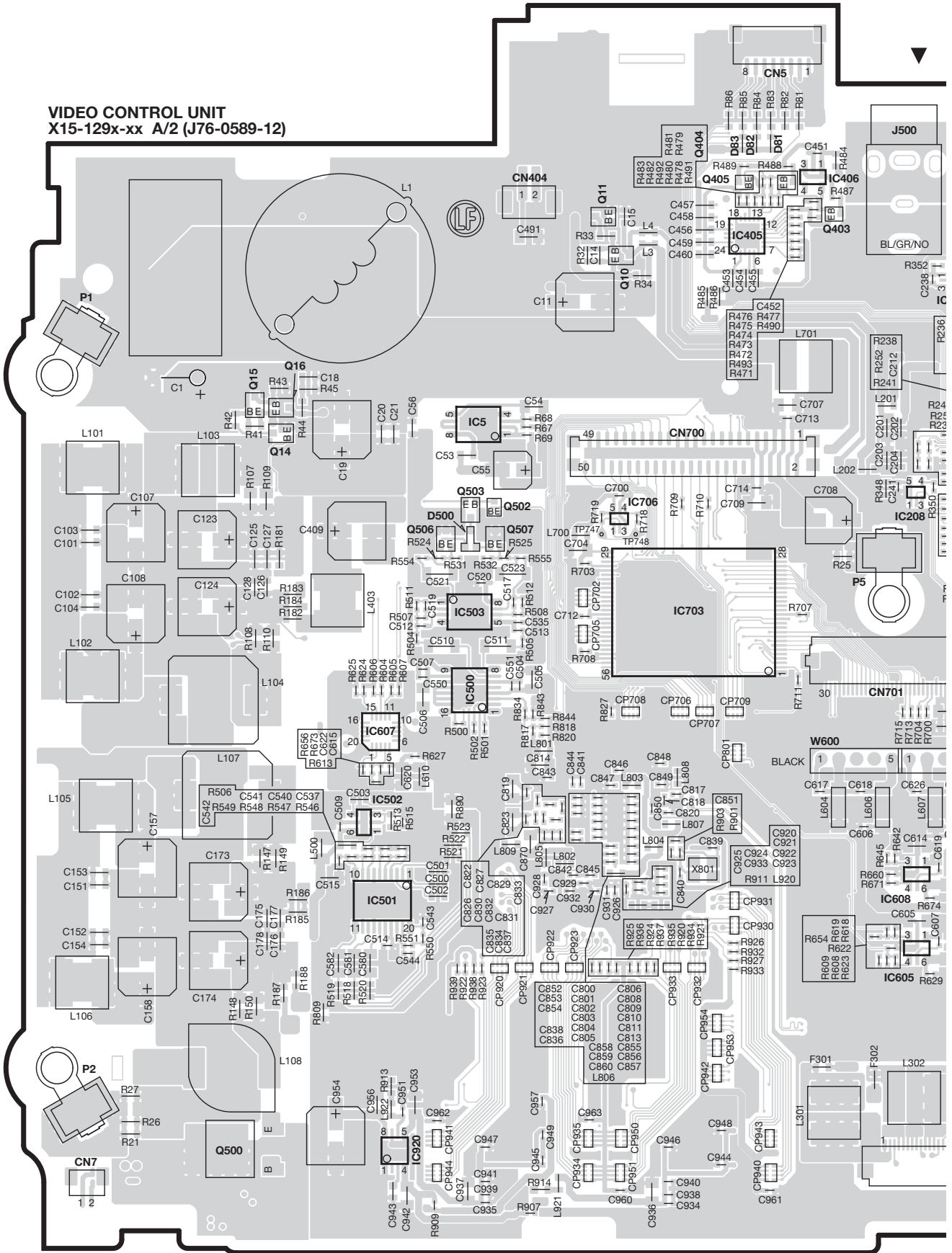
**X16-6590-2x**

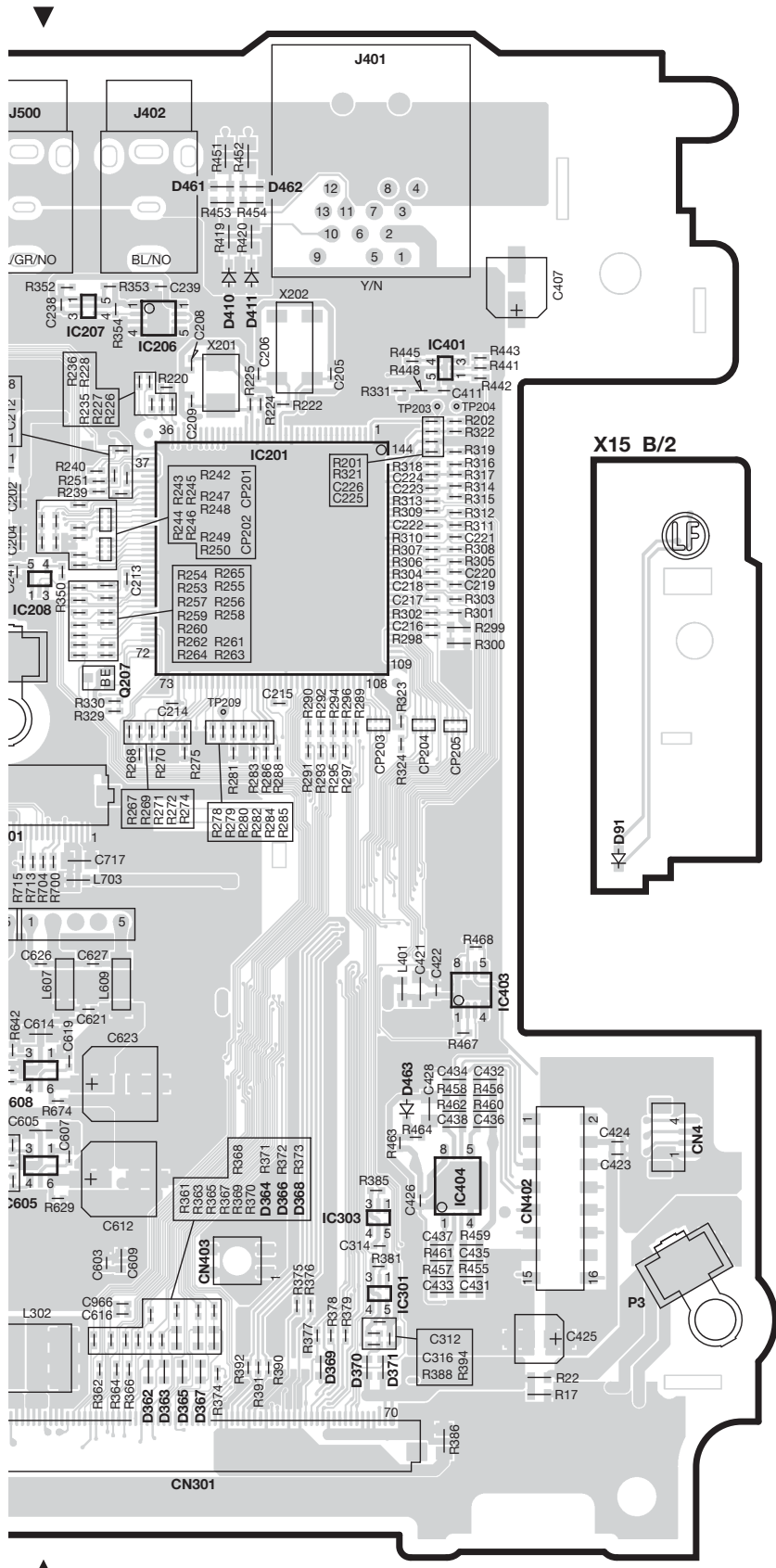
Ref. No.	Address
IC1	4D

Refer to the schematic diagram for the values of resistors and capacitors.

# PC BOARD (COMPONENT SIDE VIEW)

**VIDEO CONTROL UNIT**  
X15-129x-xx A/2 (J76-0589-12)





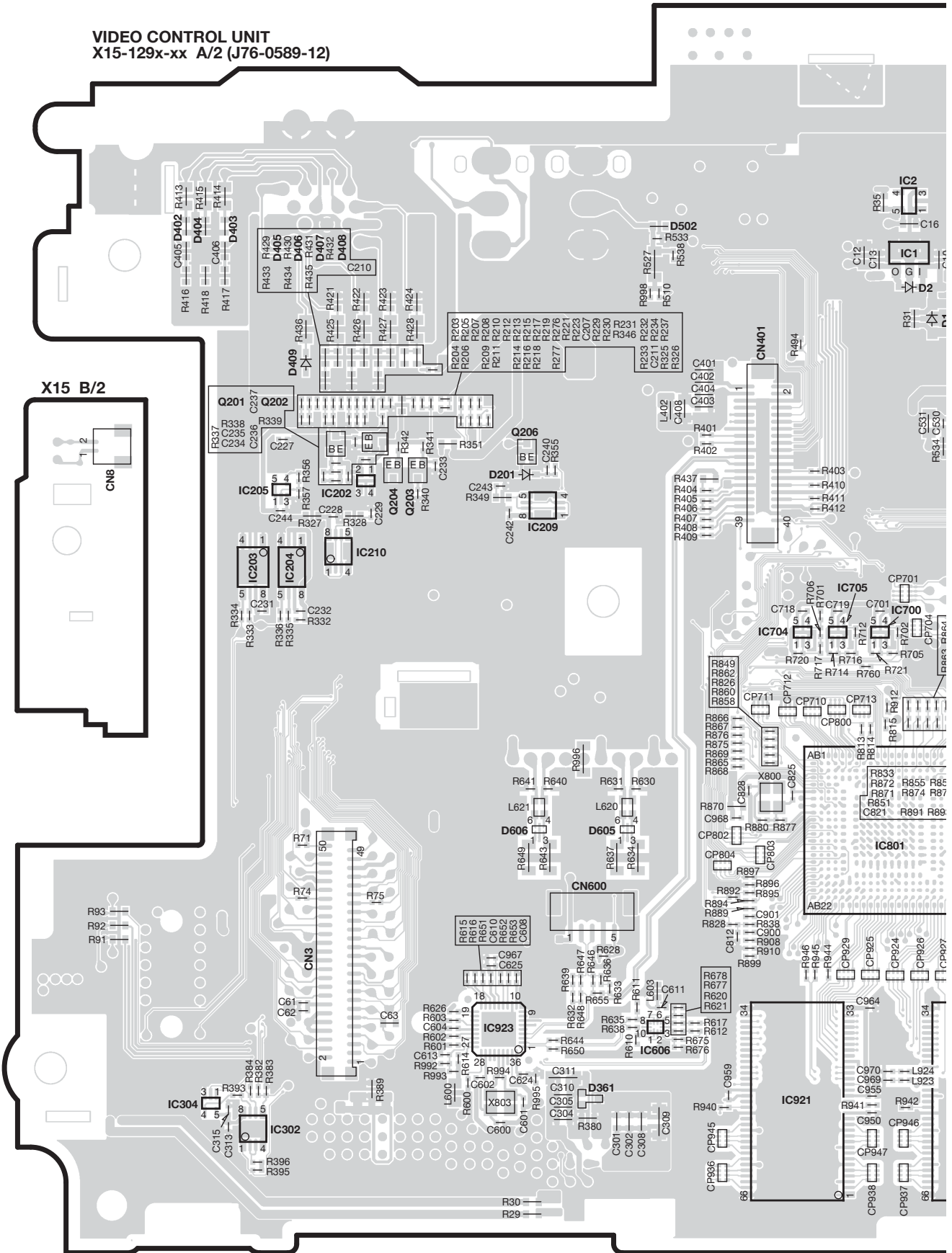
X15-129x-xx

Ref. No.	Address
IC5	3H
IC201	3K
IC207	3K
IC208	4J
IC301	6L
IC303	6L
IC401	3L
IC403	5L
IC404	6L
IC405	2J
IC406	2J
IC500	4H
IC501	5H
IC502	5H
IC503	4H
IC605	6J
IC607	5H
IC608	5J
IC703	4I
IC920	7H
Q10	3I
Q11	2I
Q14	3G
Q15	3G
Q16	3G
Q207	4K
Q500	7G

Refer to the schematic diagram for the values of resistors and capacitors.

# PC BOARD (FOIL SIDE VIEW)

VIDEO CONTROL UNIT  
X15-129x-xx A/2 (J76-0589-12)



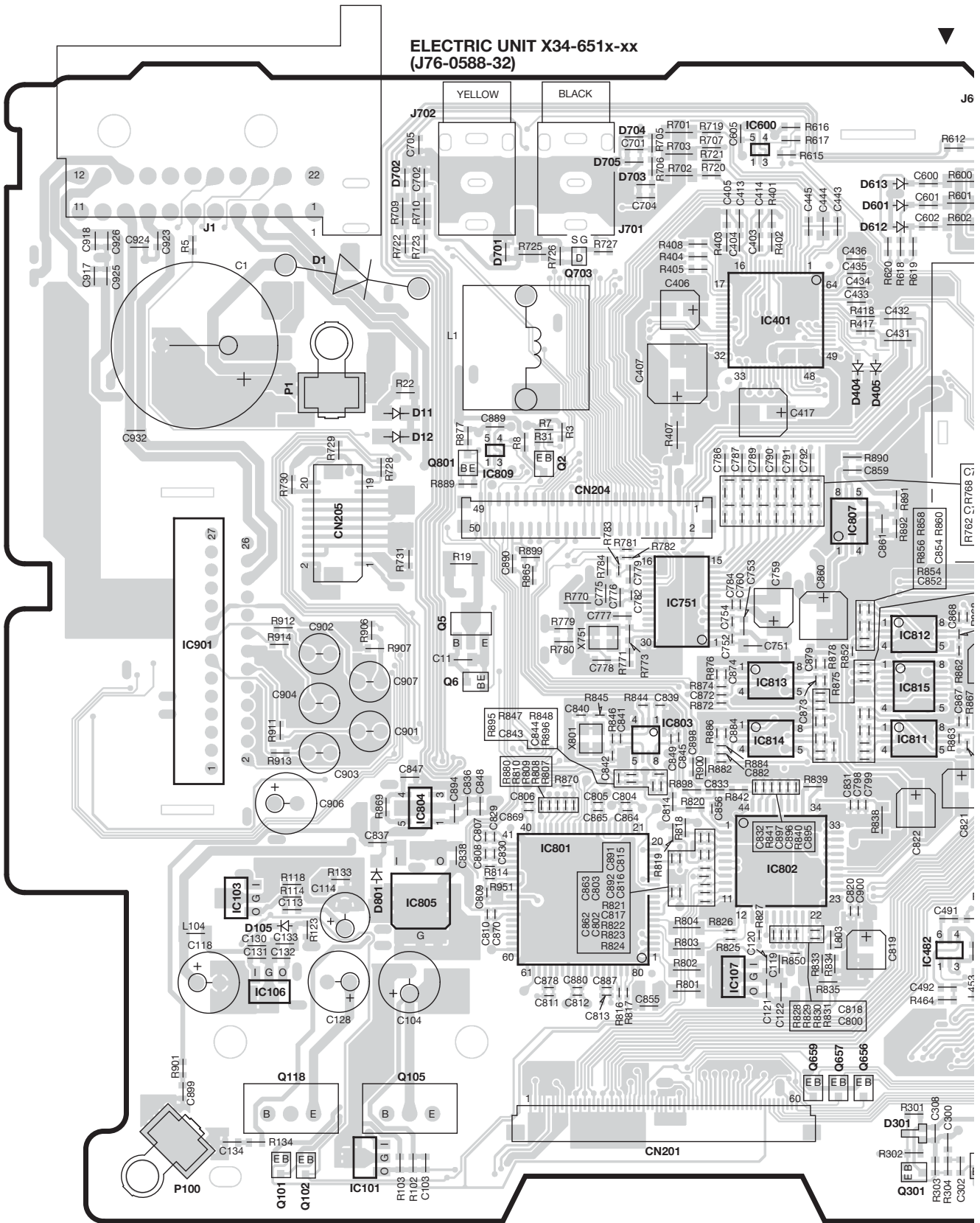




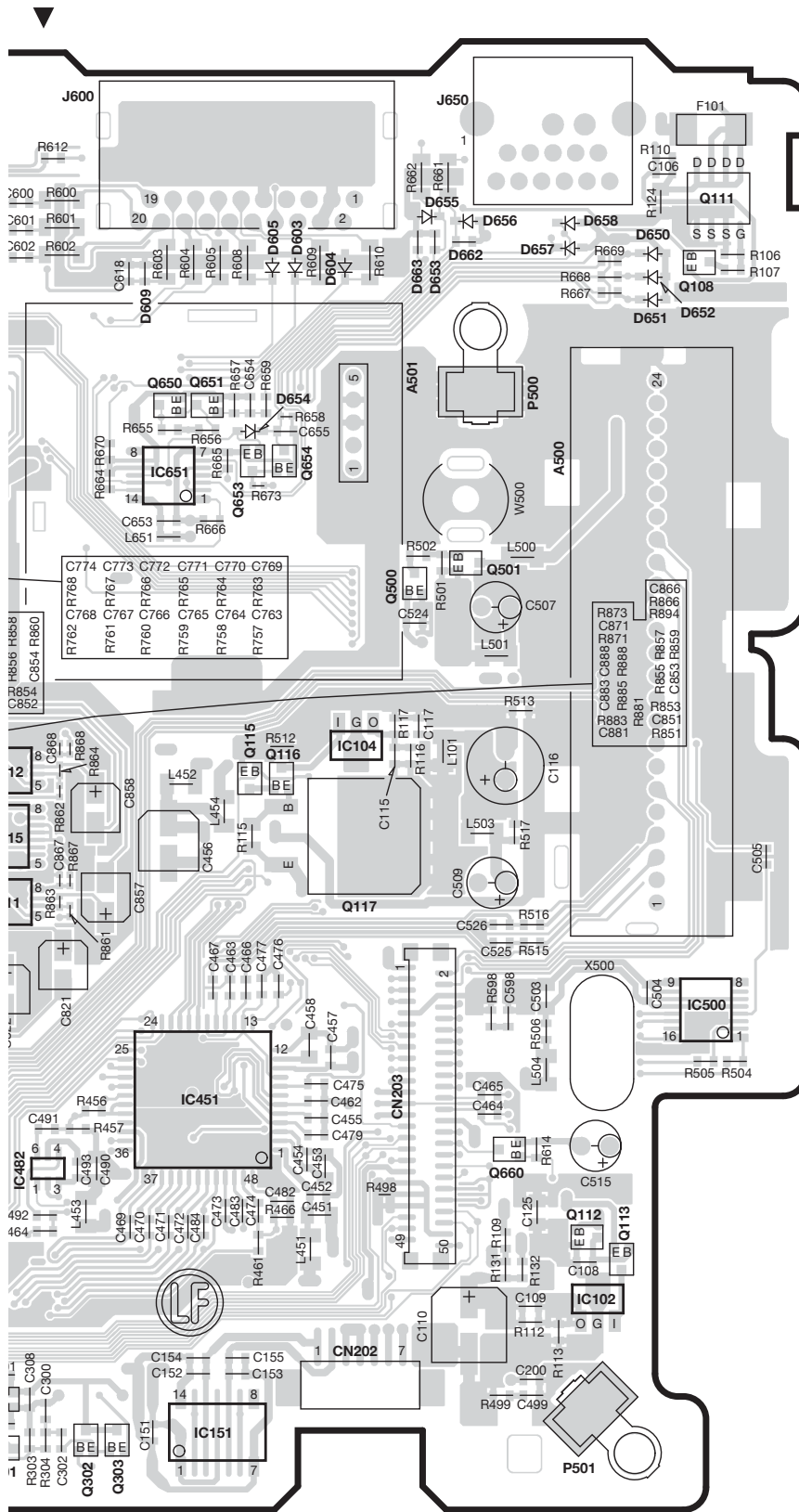
DDX8024BT/8034BT/8034BTM/8054BT/814  
DNX9140/9240BT

# PC BOARD (COMPONENT SIDE VIEW)

ELECTRIC UNIT X34-651x-xx  
(J76-0588-32)



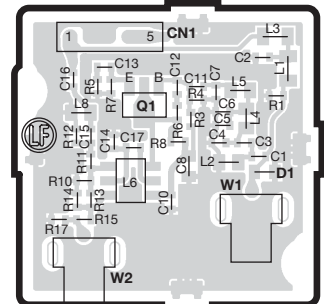




X34-651x-xx

Ref. No.	Address	Ref. No.	Address
IC101	7AB	Q6	4AB
IC102	6AG	Q101	7AA
IC103	5AA	Q102	7AA
IC104	4AF	Q105	6AB
IC106	6AA	Q108	2AG
IC107	6AC	Q111	2AG
IC151	6AE	Q112	6AG
IC401	3AD	Q113	6AG
IC451	5AE	Q115	4AE
IC482	6AD	Q116	4AF
IC500	5AG	Q117	5AF
IC600	2AD	Q118	6AA
IC651	3AE	Q301	7AD
IC801	5AC	Q302	7AE
IC802	5AD	Q303	7AE
IC803	4AC	Q500	3AF
IC804	5AB	Q501	3AF
IC805	5AB	Q650	3AE
IC807	4AD	Q651	3AE
IC811	5AD	Q653	3AE
IC812	4AD	Q654	3AF
IC813	4AD	Q656	6AD
IC814	5AD	Q657	6AD
IC815	4AD	Q659	6AD
IC901	4AA	Q660	6AF
Q2	3AC	Q801	3AB
Q5	4AB		

DAUGHTER UNIT  
X89-3062-72 (J76-0526-12)  
only DNX E type



X89-3062-72

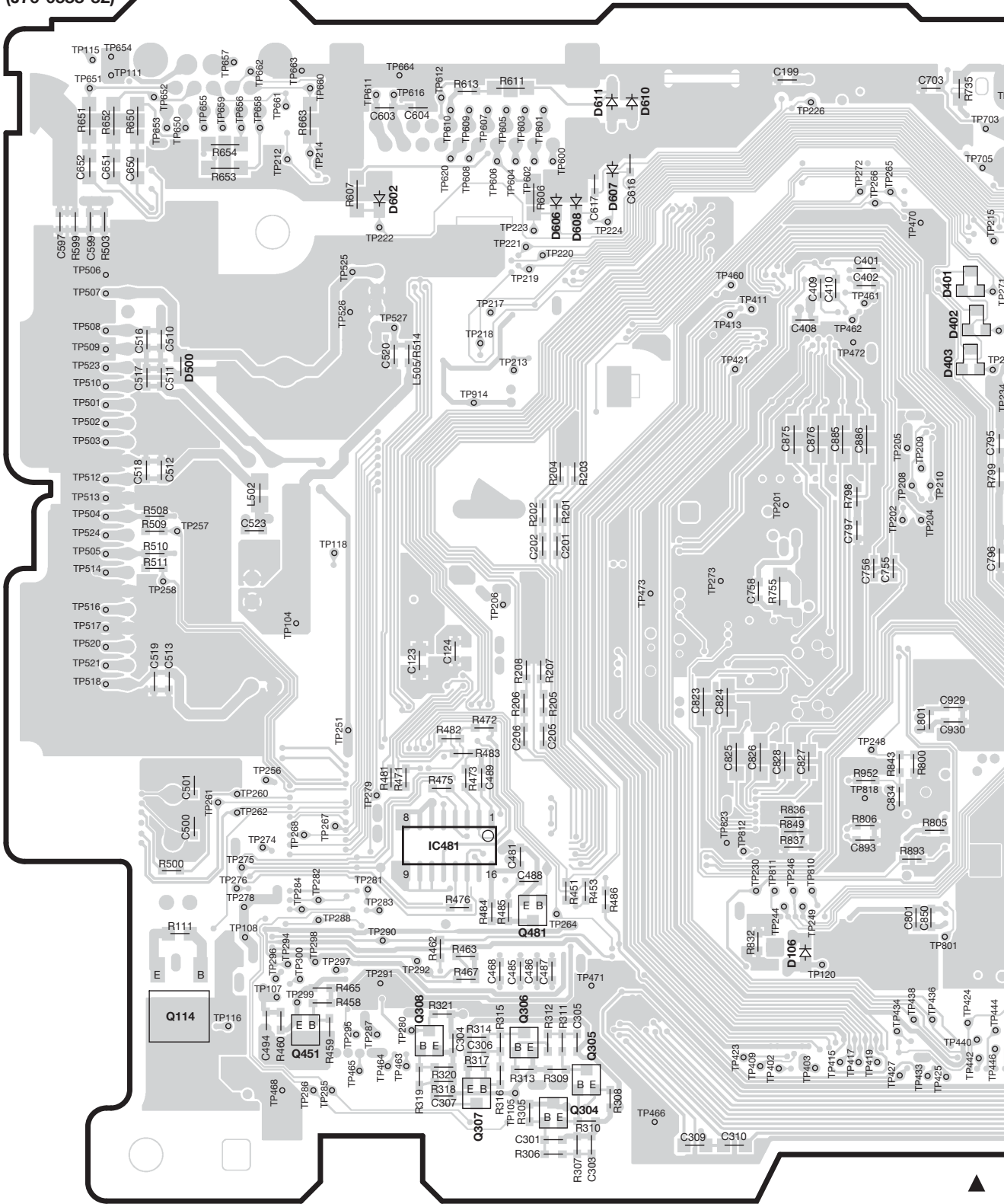
Ref. No.	Address
Q1	6AH

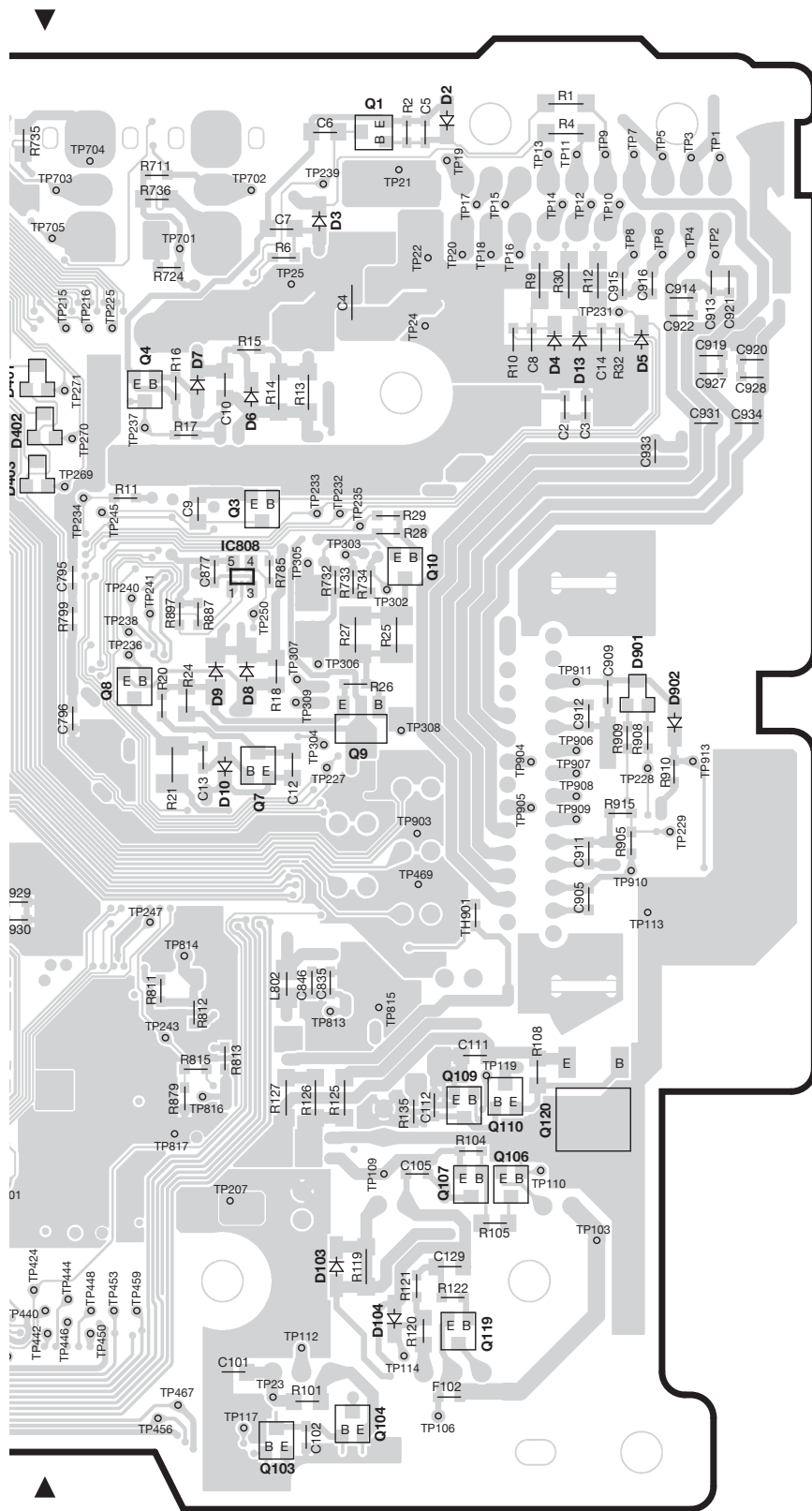
Refer to the schematic diagram for the values of resistors and capacitors.

DDX8024BT/8034BT/8034BTM/8054BT/814  
DNX9140/9240BT

# PC BOARD (FOIL SIDE VIEW)

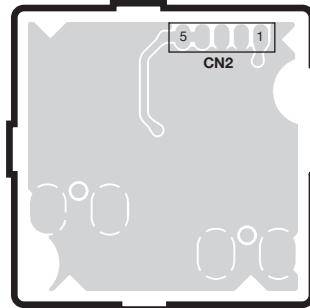
**ELECTRIC UNIT X34-651x-xx**  
(J76-0588-32)





## X34-651x-xx

Ref. No.	Address	Ref. No.	Address
IC481	5AL	Q107	6AP
IC808	3AO	Q109	5AP
Q1	2AP	Q110	5AP
Q3	3AO	Q114	6AK
Q4	3AO	Q119	6AP
Q7	4AO	Q120	5AP
Q8	4AO	Q304	6AM
Q9	4AP	Q305	6AM
Q10	3AP	Q306	6AL
Q103	7AO	Q307	6AL
Q104	6AP	Q308	6AL
Q106	6AP	Q481	6AL

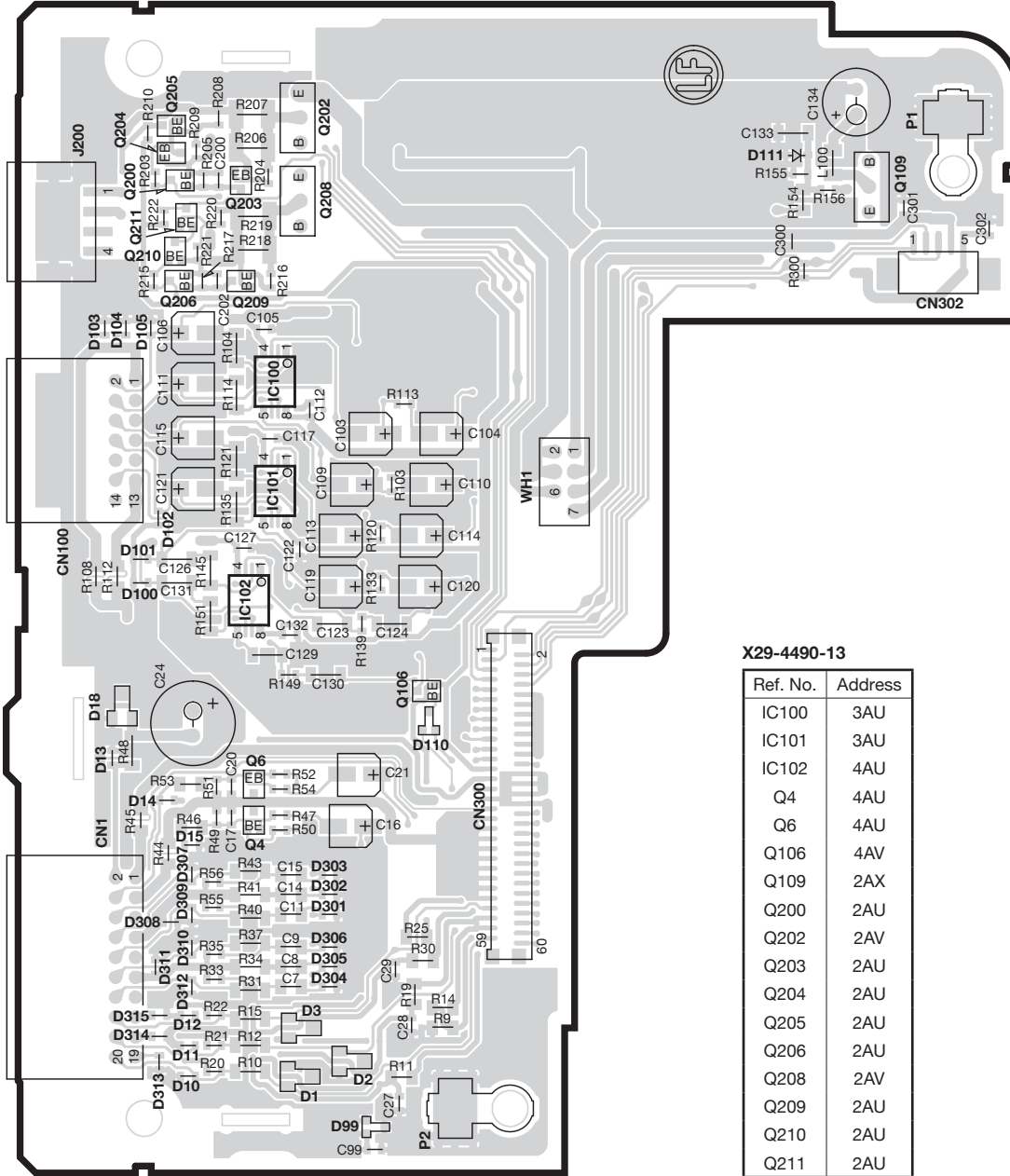
**DAUGHTER UNIT**  
**X89-3062-72 (J76-0526-12)**  
 only DNX E type


Refer to the schematic diagram for the values of resistors and capacitors.

DDX8024BT/8034BT/8034BTM/8054BT/814  
DNX9140/9240BT

# PC BOARD (COMPONENT SIDE VIEW)

CONTROL CIRCUIT UNIT X29-4490-13 (J76-0587-02)



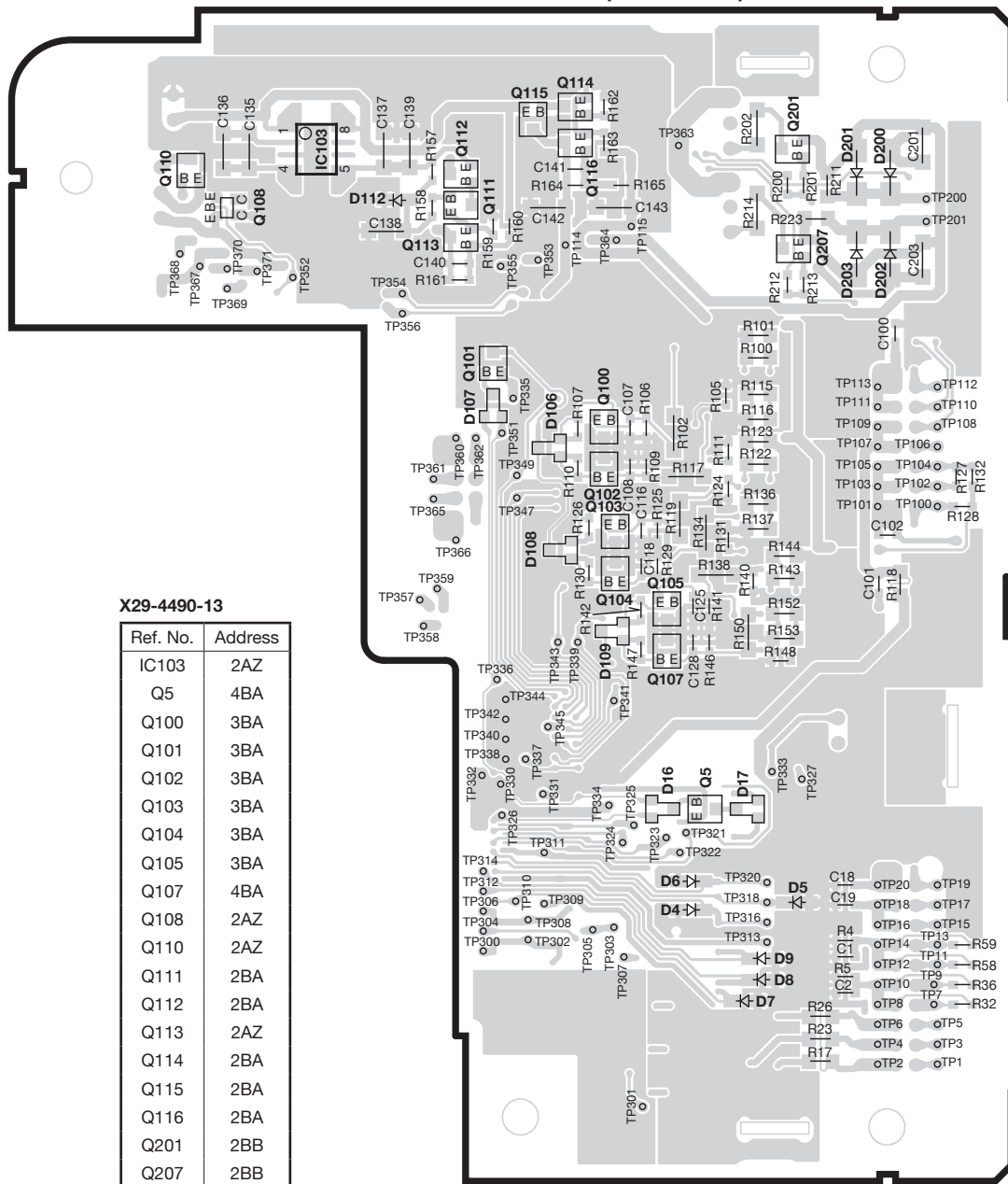
X29-4490-13

Ref. No.	Address
IC100	3AU
IC101	3AU
IC102	4AU
Q4	4AU
Q6	4AU
Q106	4AV
Q109	2AX
Q200	2AU
Q202	2AV
Q203	2AU
Q204	2AU
Q205	2AU
Q206	2AU
Q208	2AV
Q209	2AU
Q210	2AU
Q211	2AU

Refer to the schematic diagram for the values of resistors and capacitors.

## PC BOARD (FOIL SIDE VIEW)

## CONTROL CIRCUIT UNIT X29-4490-13 (J76-0587-02)



Refer to the schematic diagram for the values of resistors and capacitors.



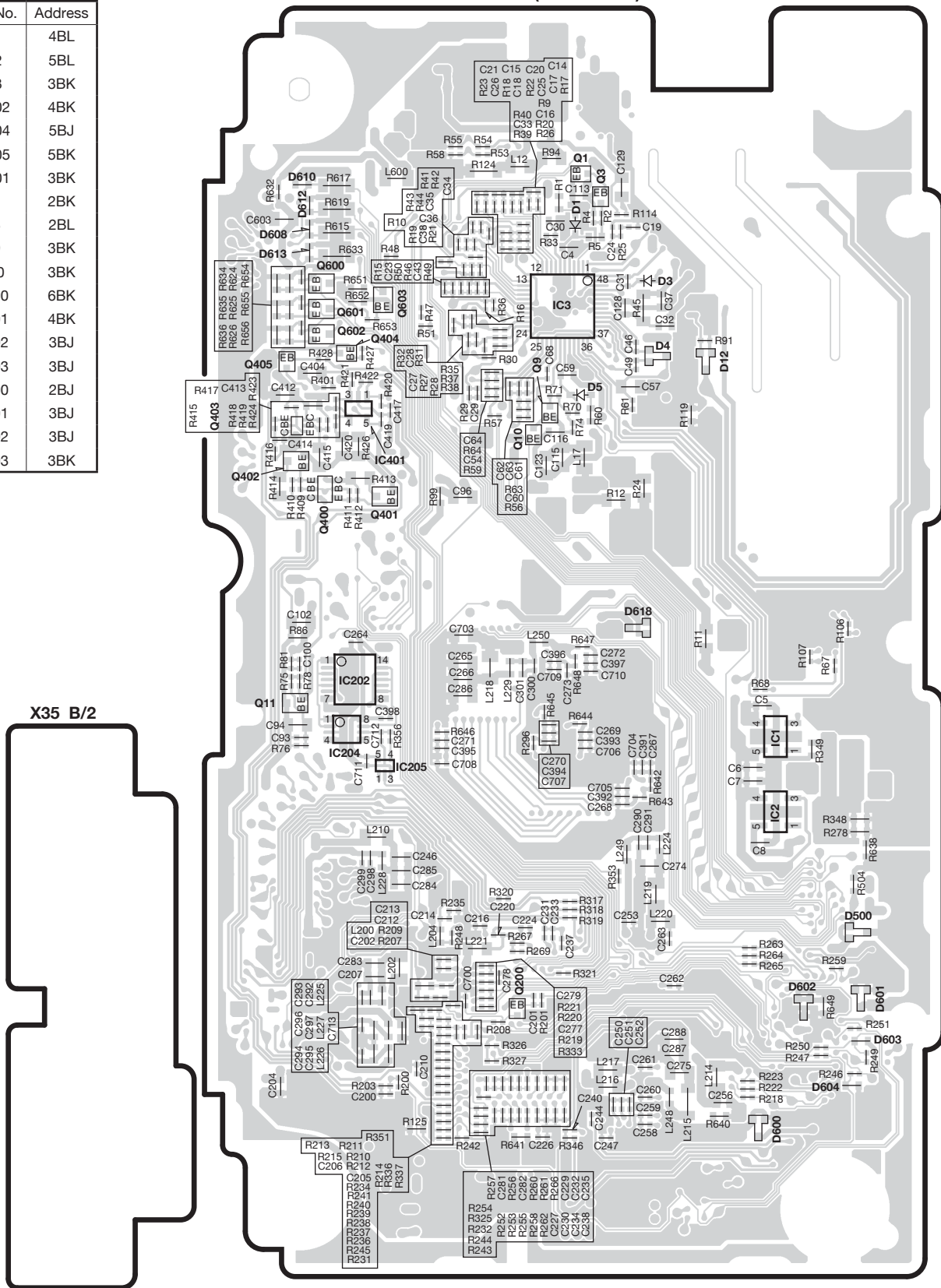


## PC BOARD (FOIL SIDE VIEW)

X35-5010-11

VIDEO UNIT X35-5010-11 A/2 (J76-0591-12)

Ref. No.	Address
IC1	4BL
IC2	5BL
IC3	3BK
IC202	4BK
IC204	5BJ
IC205	5BK
IC401	3BK
Q1	2BK
Q3	2BL
Q9	3BK
Q10	3BK
Q200	6BK
Q401	4BK
Q402	3BJ
Q403	3BJ
Q404	3BJ
Q405	3BJ
Q406	3BK
Q407	3BK
Q408	3BK
Q409	3BK
Q410	3BK
Q411	3BK
Q412	3BK
Q413	3BK
Q414	3BK
Q415	3BK
Q416	3BK
Q417	3BK
Q418	3BK
Q419	3BK
Q420	3BK
Q421	3BK
Q422	3BK
Q423	3BK
Q424	3BK
Q425	3BK
Q426	3BK
Q427	3BK
Q428	3BK
Q429	3BK
Q430	3BK
Q431	3BK
Q432	3BK
Q433	3BK
Q434	3BK
Q435	3BK
Q436	3BK
Q437	3BK
Q438	3BK
Q439	3BK
Q440	3BK
Q441	3BK
Q442	3BK
Q443	3BK
Q444	3BK
Q445	3BK
Q446	3BK
Q447	3BK
Q448	3BK
Q449	3BK
Q450	3BK
Q451	3BK
Q452	3BK
Q453	3BK
Q454	3BK
Q455	3BK
Q456	3BK
Q457	3BK
Q458	3BK
Q459	3BK
Q460	3BK
Q461	3BK
Q462	3BK
Q463	3BK
Q464	3BK
Q465	3BK
Q466	3BK
Q467	3BK
Q468	3BK
Q469	3BK
Q470	3BK
Q471	3BK
Q472	3BK
Q473	3BK
Q474	3BK
Q475	3BK
Q476	3BK
Q477	3BK
Q478	3BK
Q479	3BK
Q480	3BK
Q481	3BK
Q482	3BK
Q483	3BK
Q484	3BK
Q485	3BK
Q486	3BK
Q487	3BK
Q488	3BK
Q489	3BK
Q490	3BK
Q491	3BK
Q492	3BK
Q493	3BK
Q494	3BK
Q495	3BK
Q496	3BK
Q497	3BK
Q498	3BK
Q499	3BK
Q500	3BK

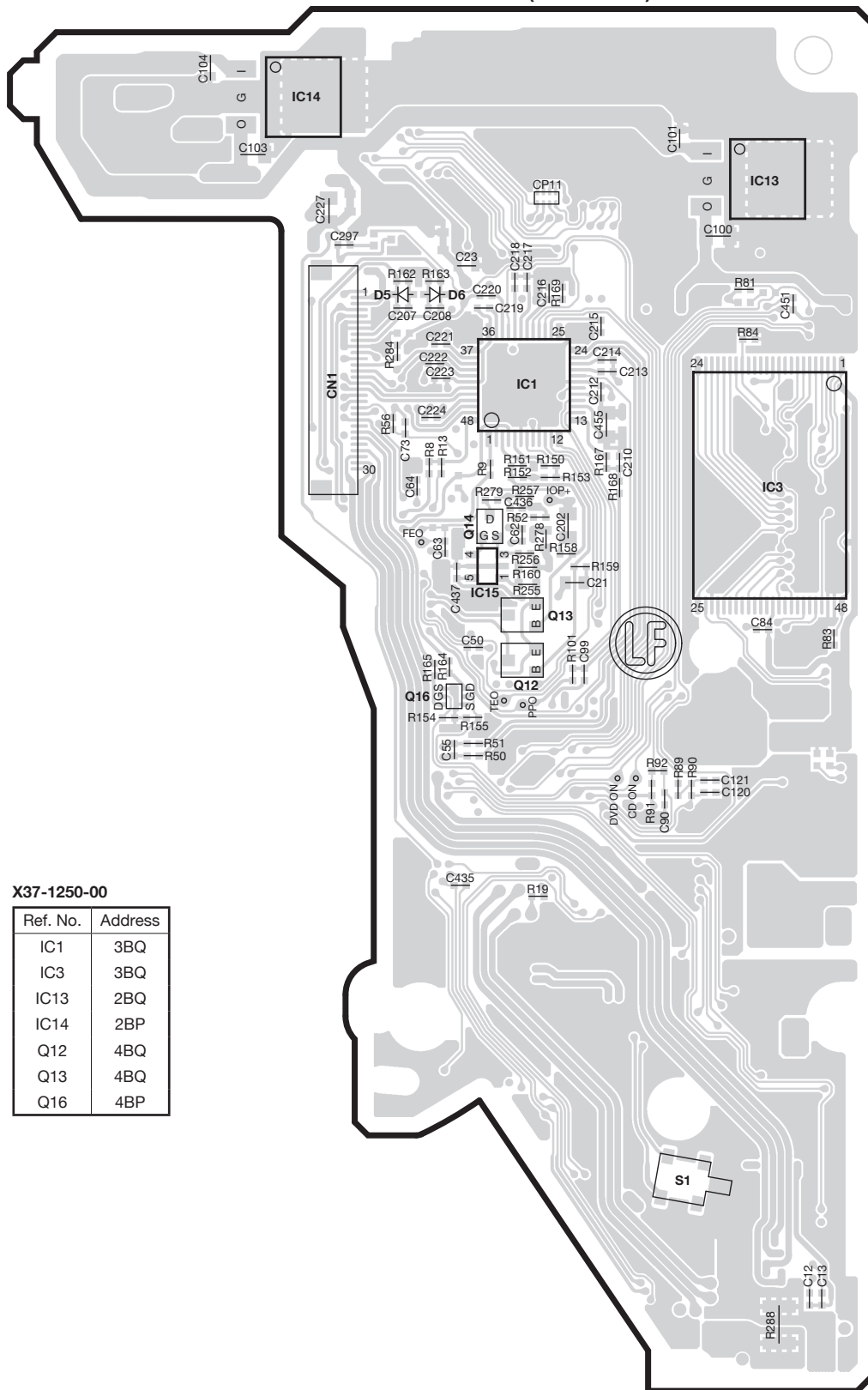


Refer to the schematic diagram for the values of resistors and capacitors.

DDX8024BT/8034BT/8034BTM/8054BT/814  
DNX9140/9240BT

# PC BOARD (COMPONENT SIDE VIEW)

DVD UNIT X37-1250-00 (J76-0620-02)



X37-1250-00

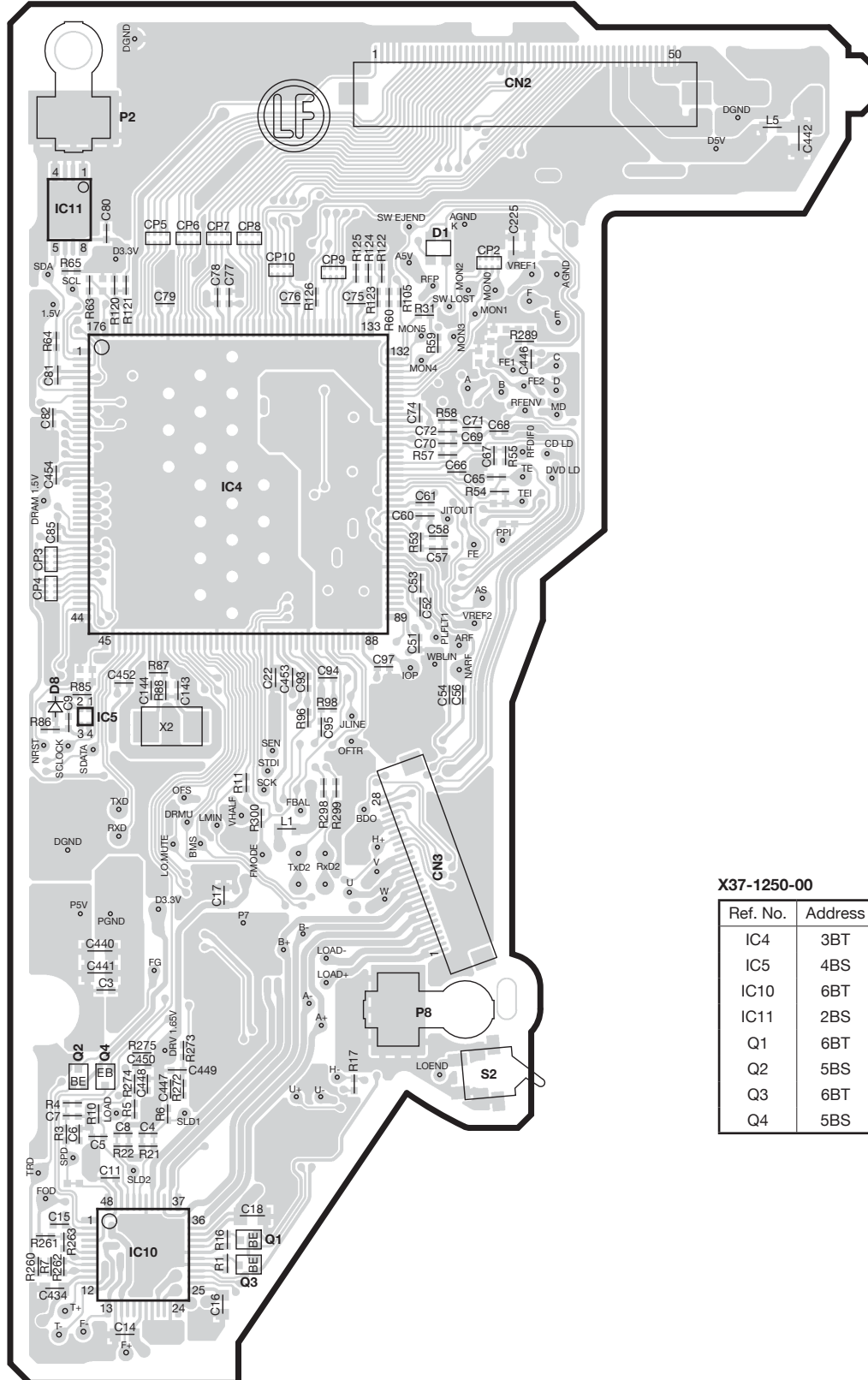
Ref. No.	Address
IC1	3BQ
IC3	3BQ
IC13	2BQ
IC14	2BP
Q12	4BQ
Q13	4BQ
Q16	4BP

Refer to the schematic diagram for the values of resistors and capacitors.



## PC BOARD (FOIL SIDE VIEW)

DVD UNIT X37-1250-00 (J76-0620-02)

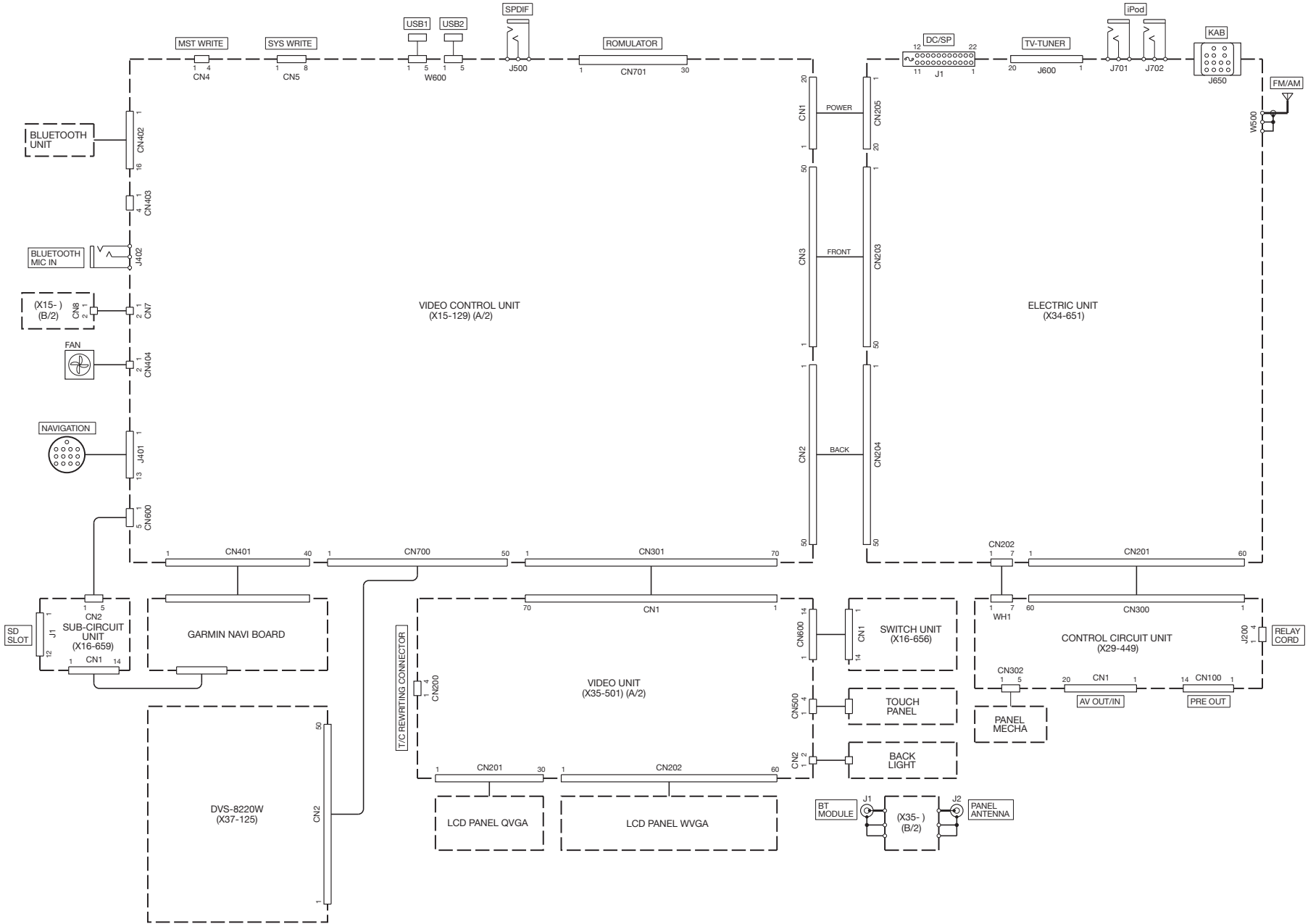


X37-1250-00

Ref. No.	Address
IC4	3BT
IC5	4BS
IC10	6BT
IC11	2BS
Q1	6BT
Q2	5BS
Q3	6BT
Q4	5BS

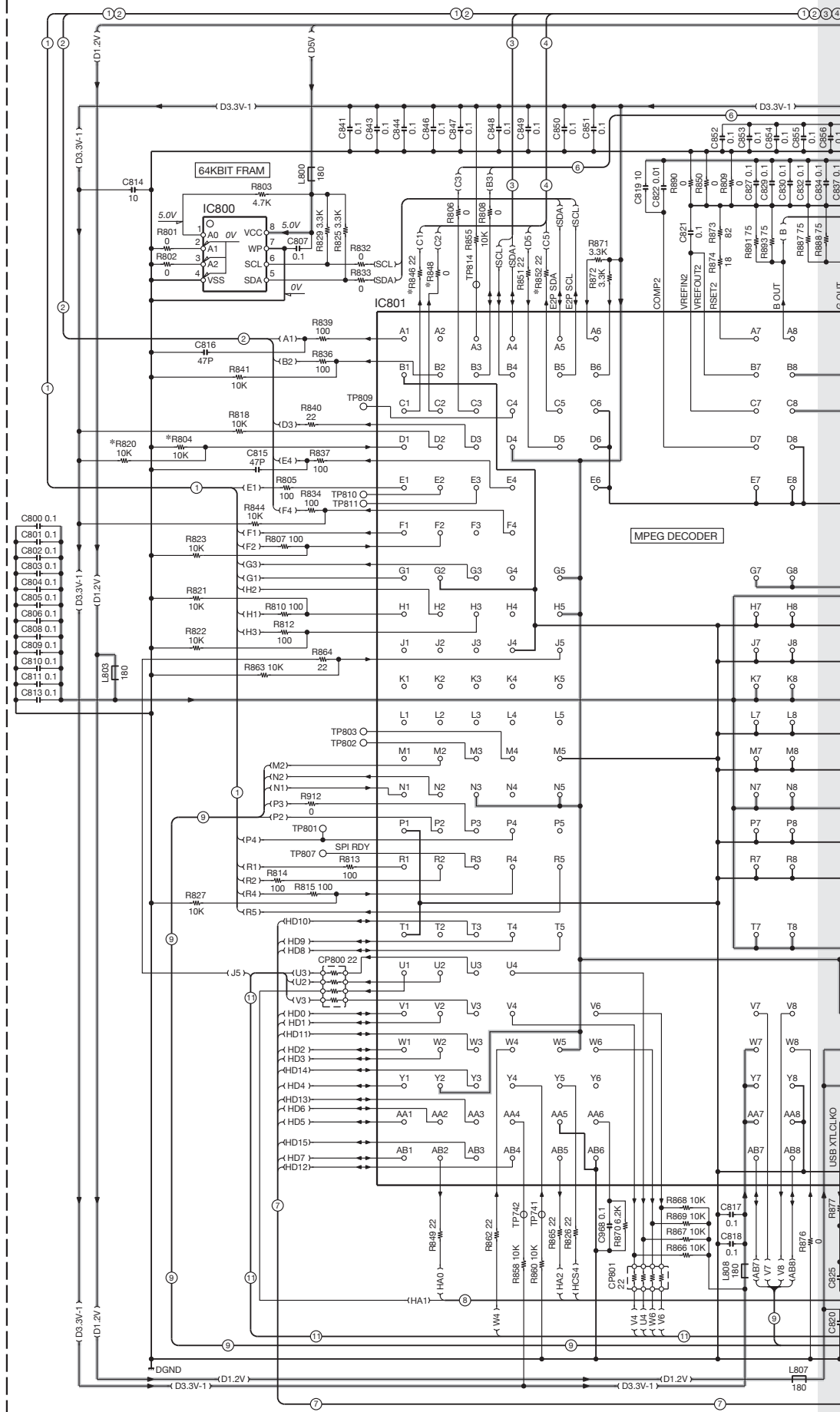
Refer to the schematic diagram for the values of resistors and capacitors.

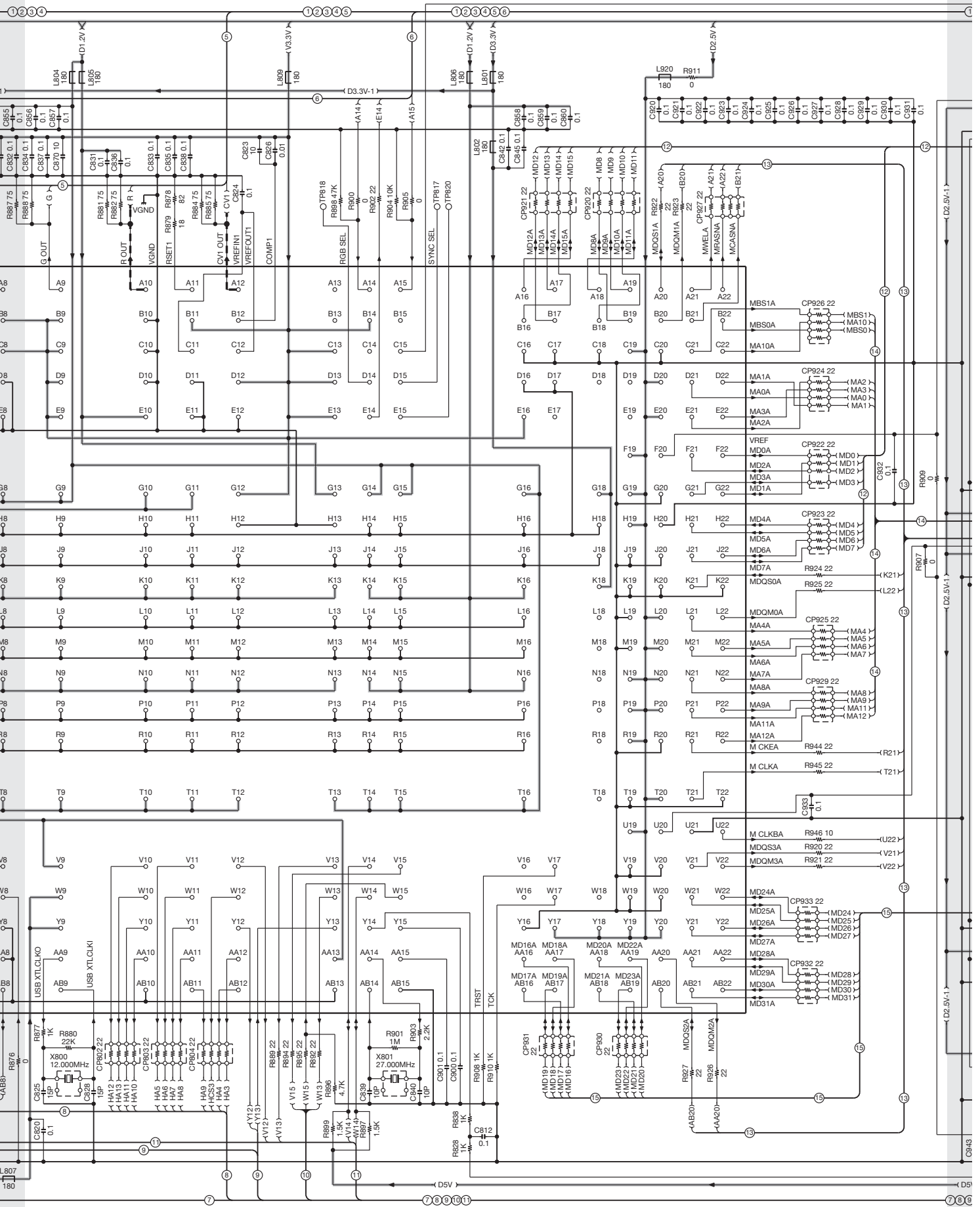
# INTERCONNECTION DIAGRAM

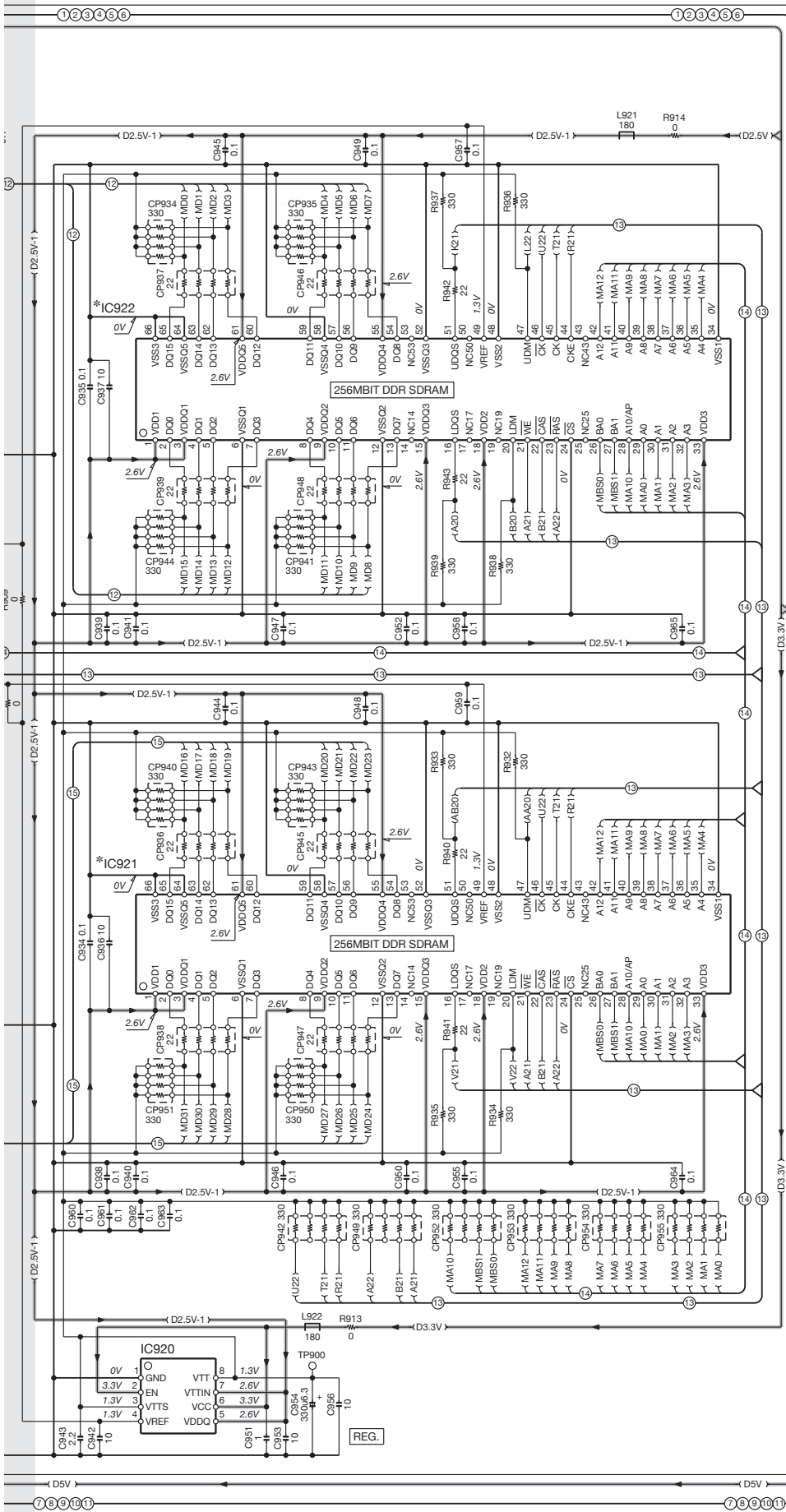


(X15-129x-xx) (A/2)

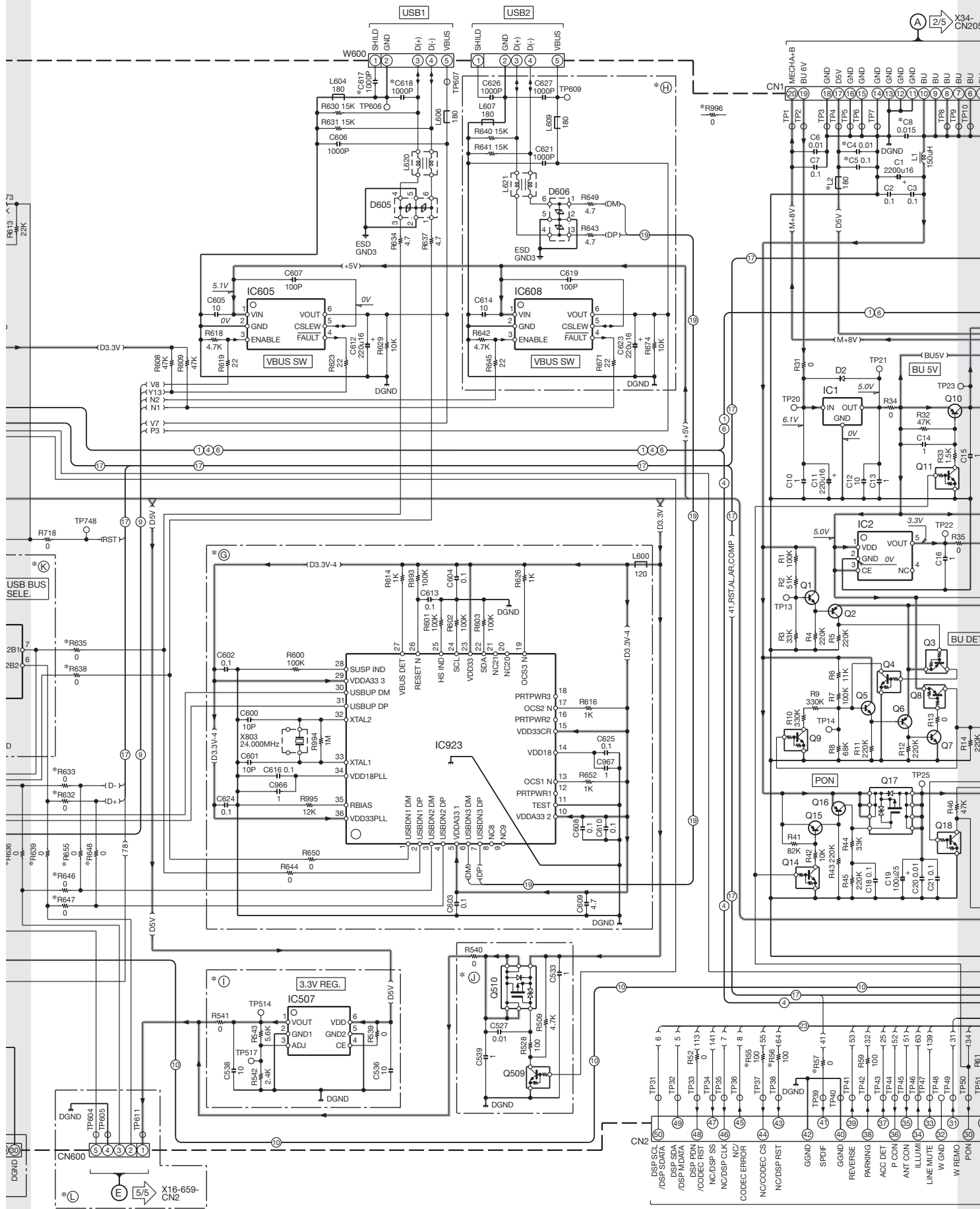
1  
2  
3  
4  
5  
6  
7









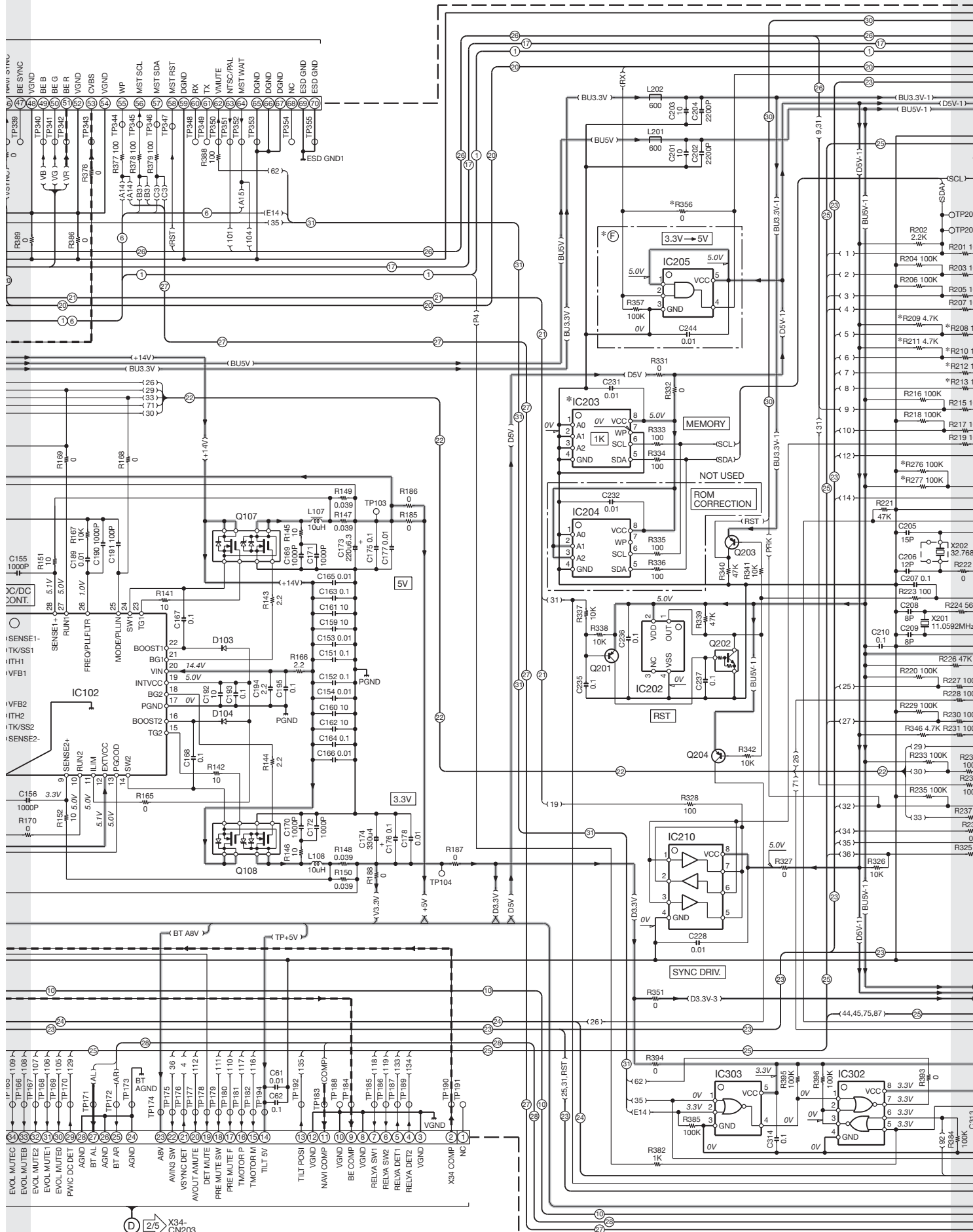




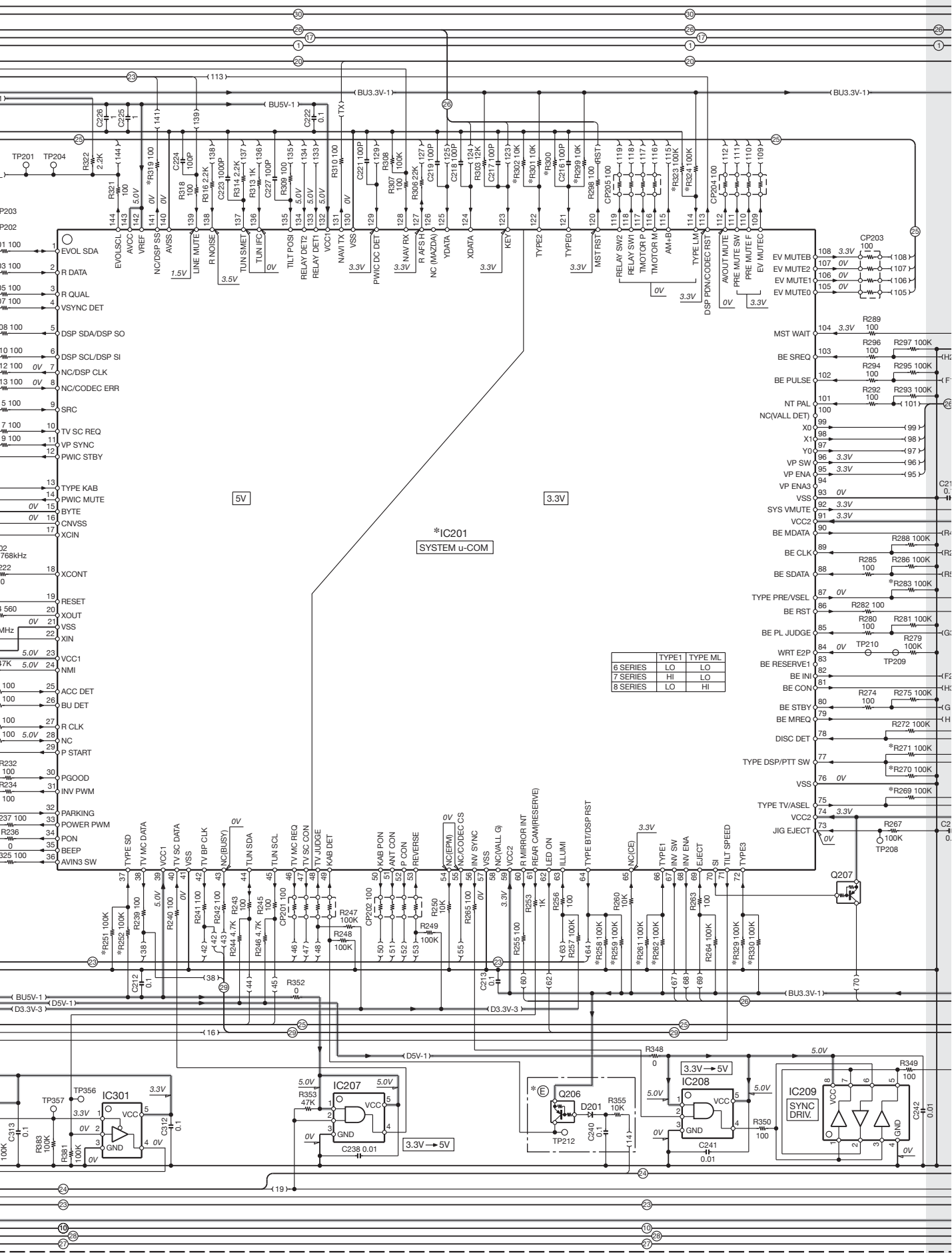




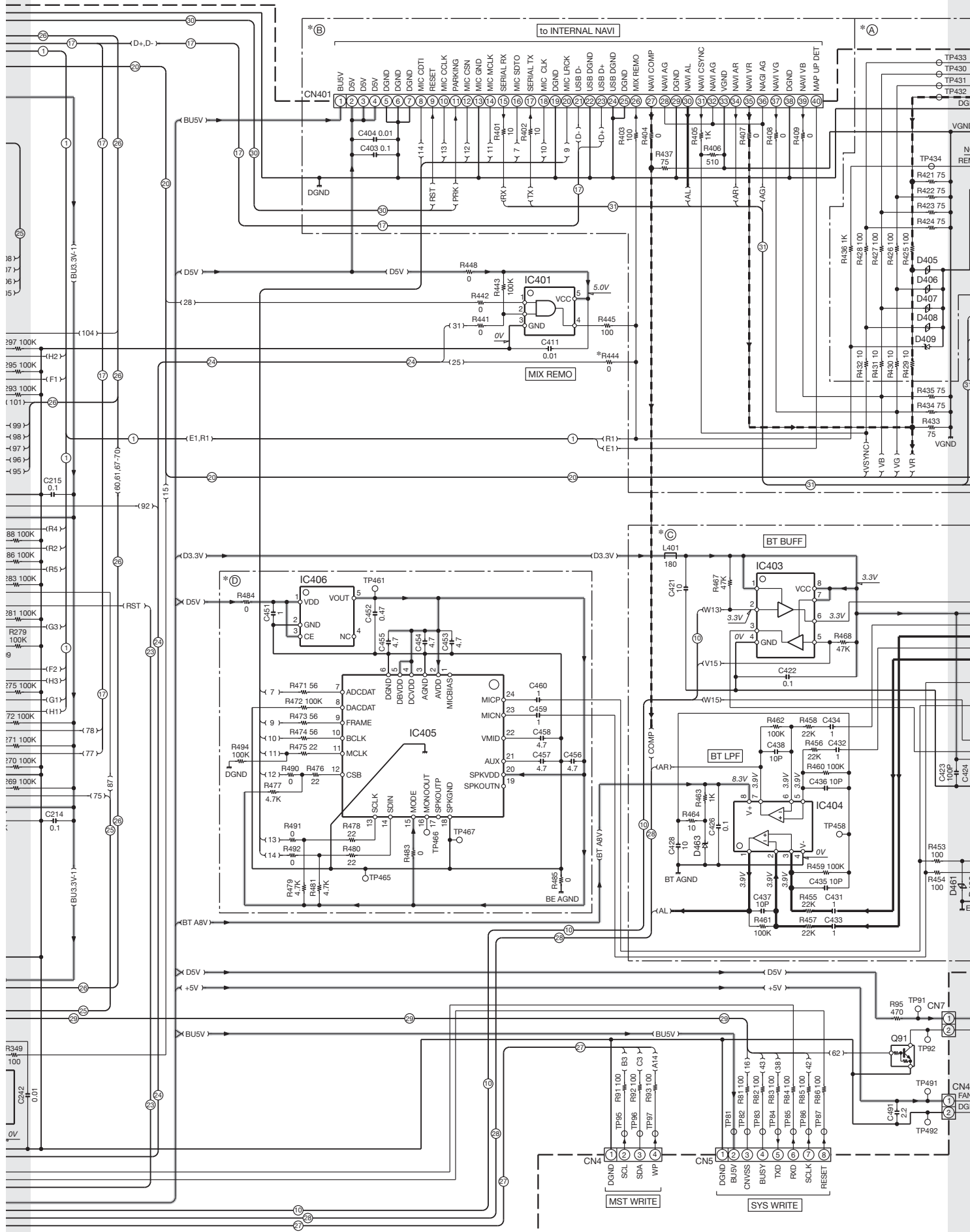
DDX8024BT/8034BT/8034BTM/8054BT/814  
DNX9140/9240BT



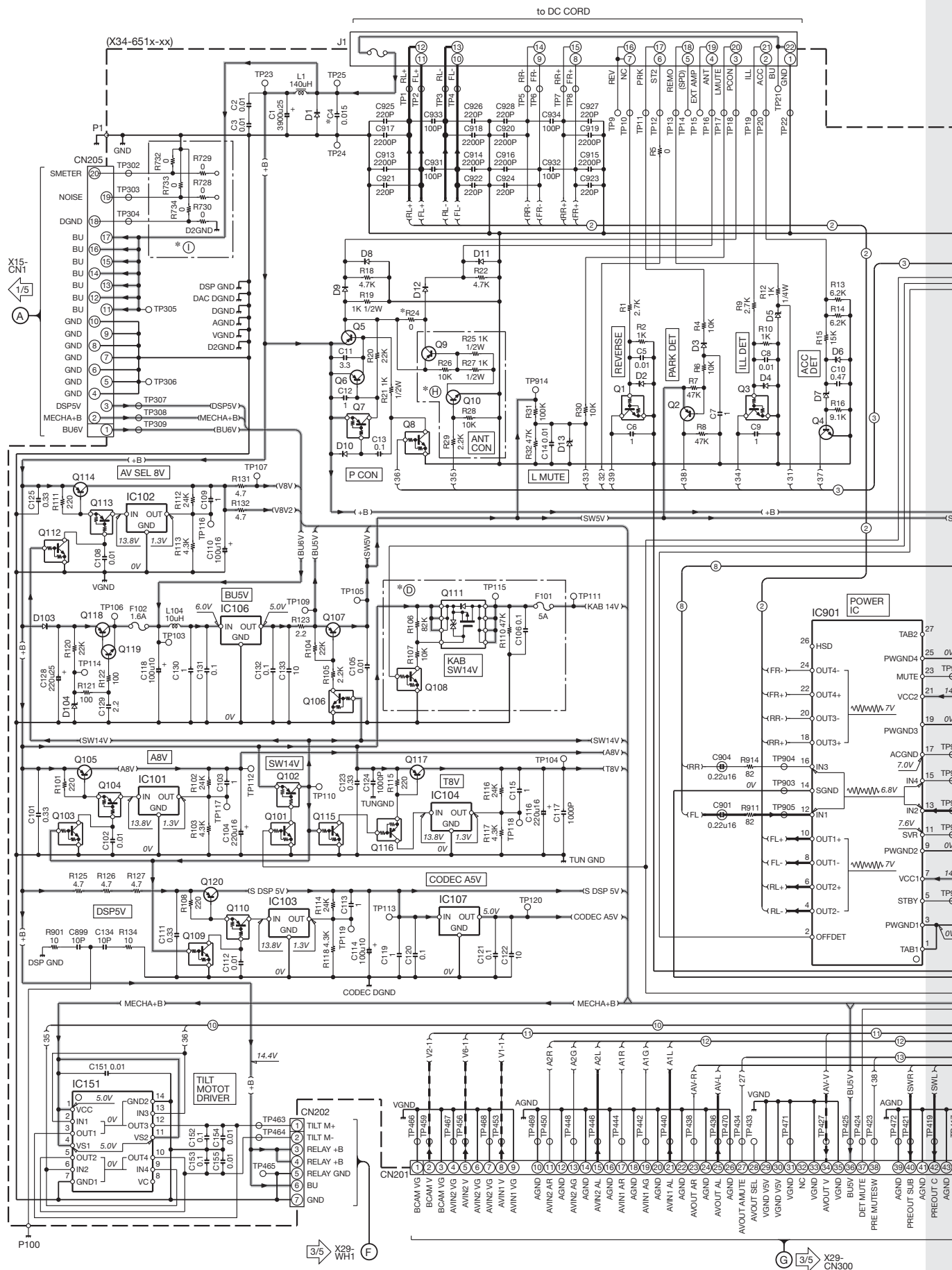
(D) 2/5 X34-  
CN203



DDX8024BT/8034BT/8034BTM/8054BT/814  
DNX9140/9240BT



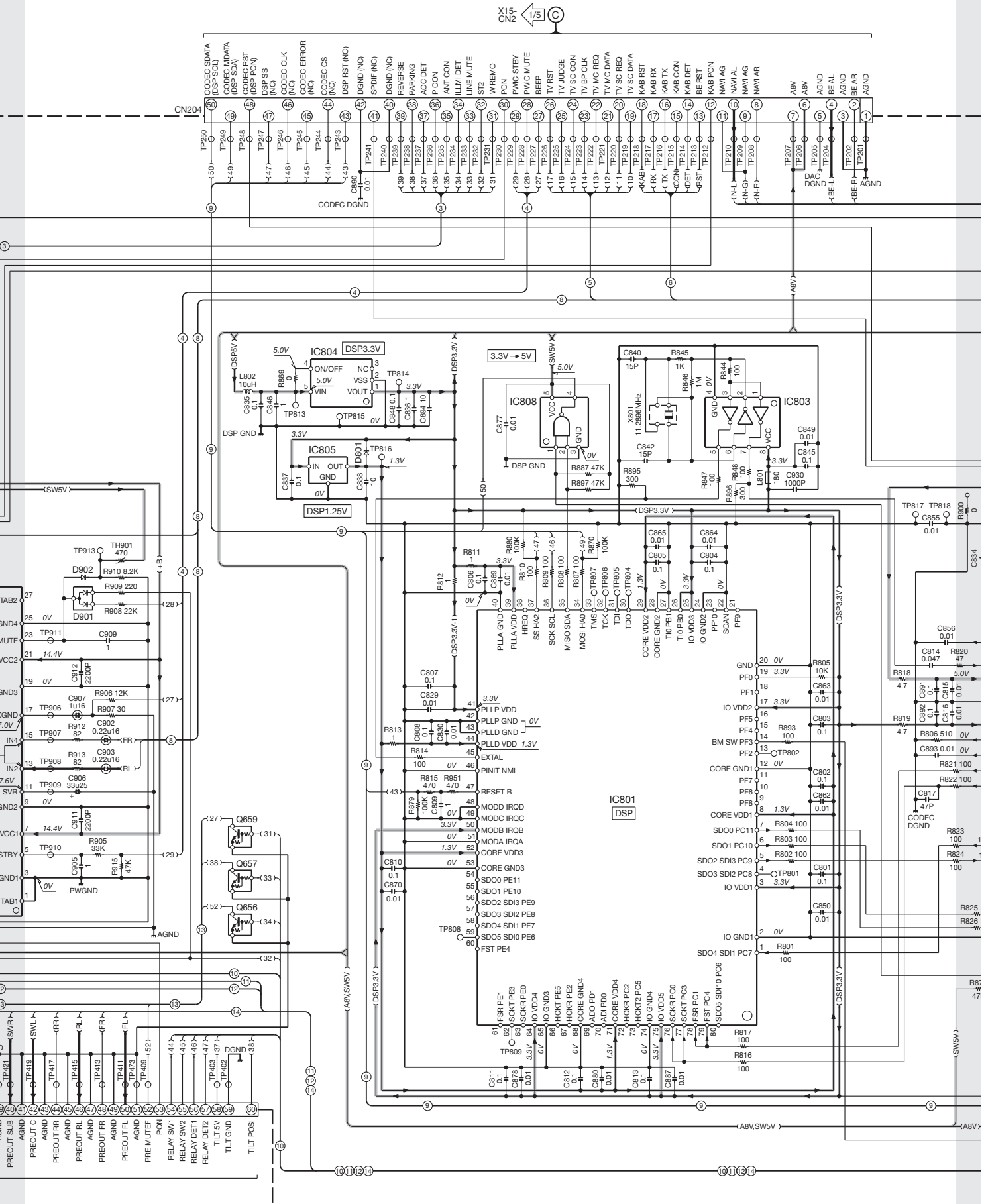




**CAUTION** : For continued safety, replace safety critical components only with manufacturer's recommended parts (refer to parts list).

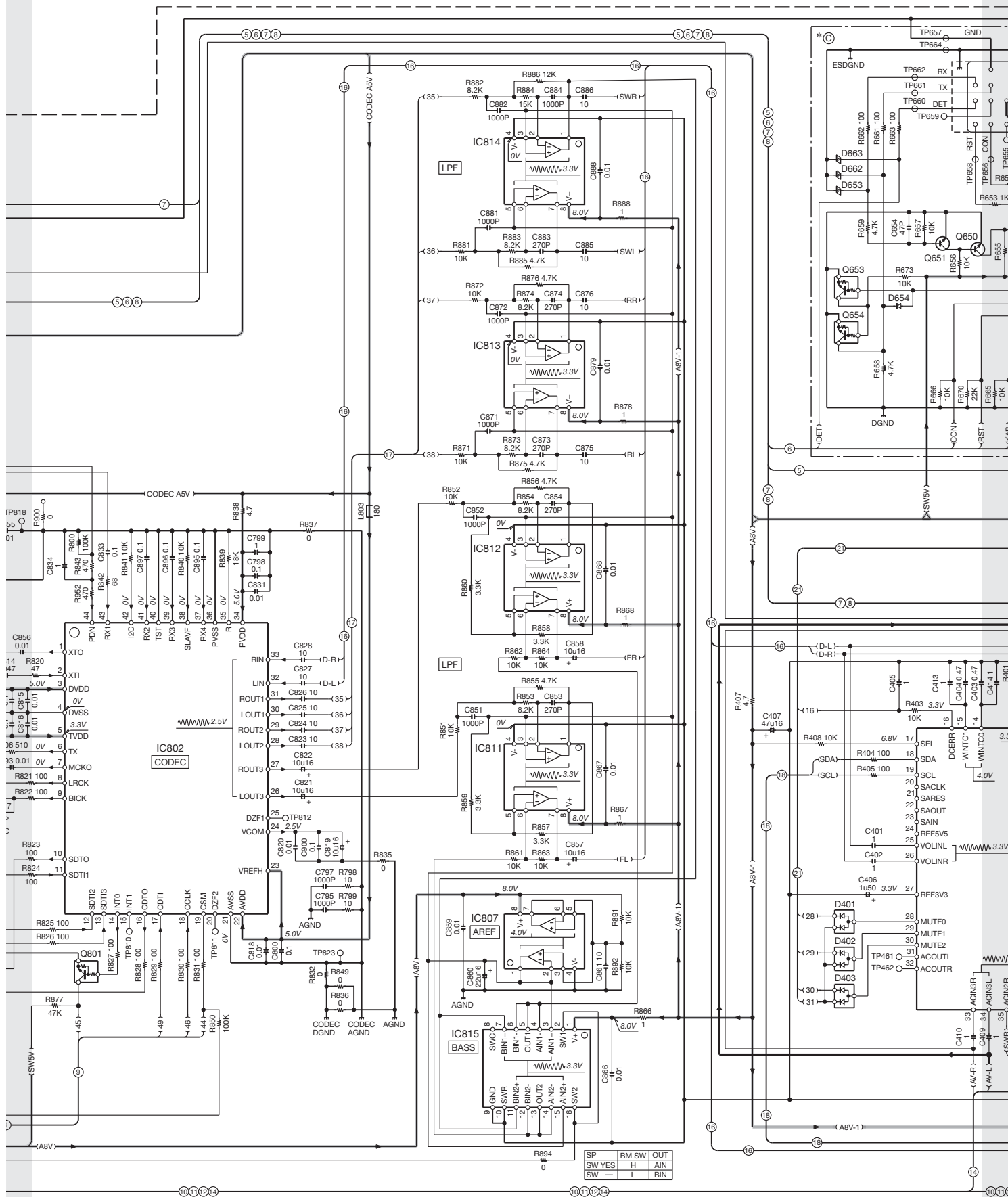
△ Indicates safety critical components. To reduce the risk of electric shock, leakage-current or resistance measurements shall be carried out (exposed parts are acceptably insulated from the supply circuit) before the appliance is returned to the customer.



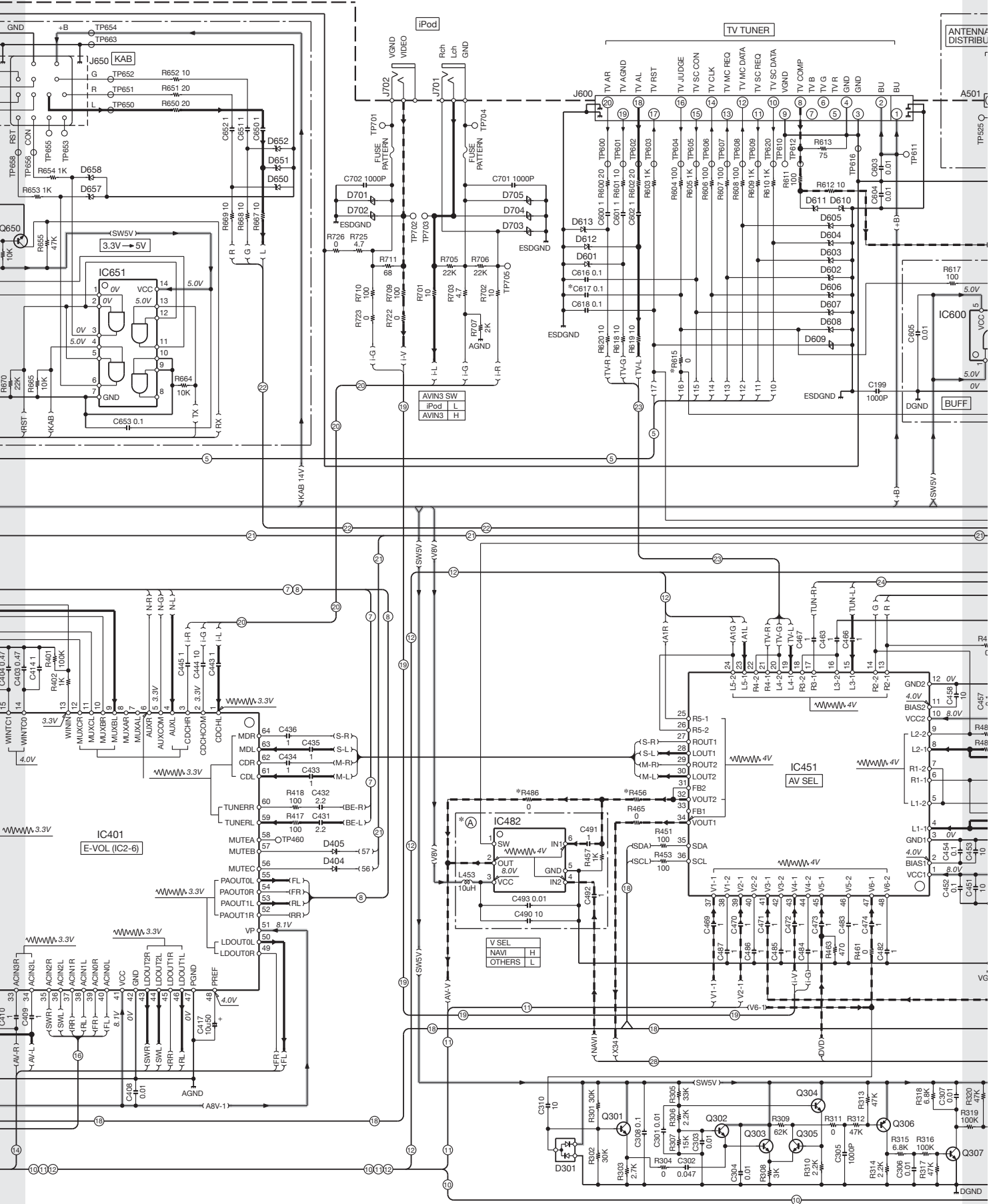


• DC voltages are as measured with a high impedance voltmeter. Values may vary slightly due to variations between individual instruments or/and units.

DDX8024BT/8034BT/8034BTM/8054BT/814  
DNX9140/9240BT

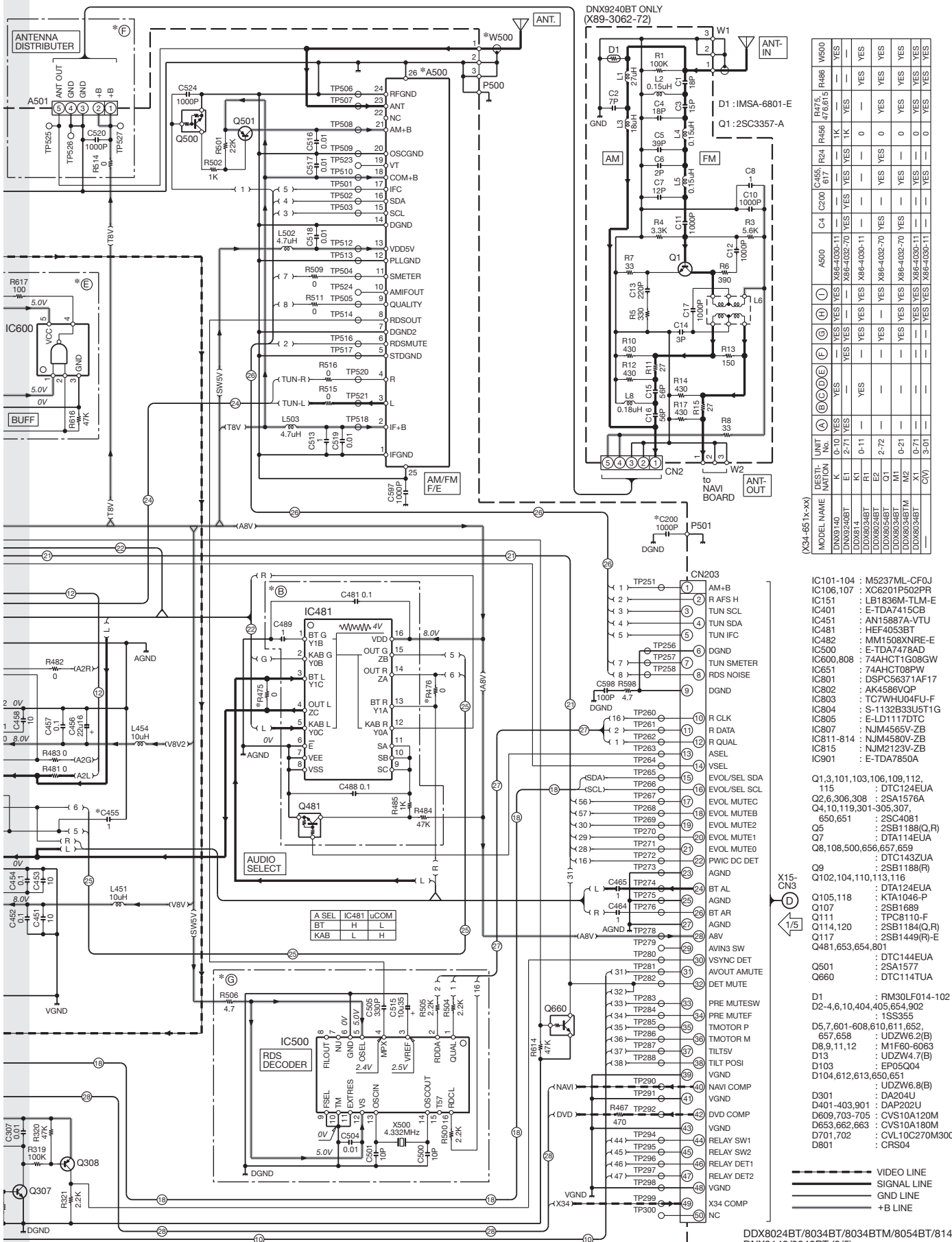


DDX8024BT/8034BT/8034BTM/8054BT/814  
DNX9140/9240BT





DDX8024BT/8034BT/8034BTM/8054BT/814  
DNX9140/9240BT

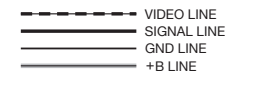


MODEL NAME	UNIT No.	A	B	C	D	E	F	G	H	I	J	K	L	M	N	O	P	Q	R	S	T	U	V	W	X	Y	Z
DDX8024BT	0-10	YES	YES	YES	YES	YES	YES	YES	YES	YES	YES	YES	YES	YES	YES	YES	YES	YES	YES	YES	YES	YES	YES	YES	YES	YES	YES
DDX8034BT	0-11	YES	YES	YES	YES	YES	YES	YES	YES	YES	YES	YES	YES	YES	YES	YES	YES	YES	YES	YES	YES	YES	YES	YES	YES	YES	YES
DDX8034BTM	0-21	YES	YES	YES	YES	YES	YES	YES	YES	YES	YES	YES	YES	YES	YES	YES	YES	YES	YES	YES	YES	YES	YES	YES	YES	YES	YES
DDX8034BT	0-71	YES	YES	YES	YES	YES	YES	YES	YES	YES	YES	YES	YES	YES	YES	YES	YES	YES	YES	YES	YES	YES	YES	YES	YES	YES	YES
DDX8034BT	3-01	YES	YES	YES	YES	YES	YES	YES	YES	YES	YES	YES	YES	YES	YES	YES	YES	YES	YES	YES	YES	YES	YES	YES	YES	YES	YES

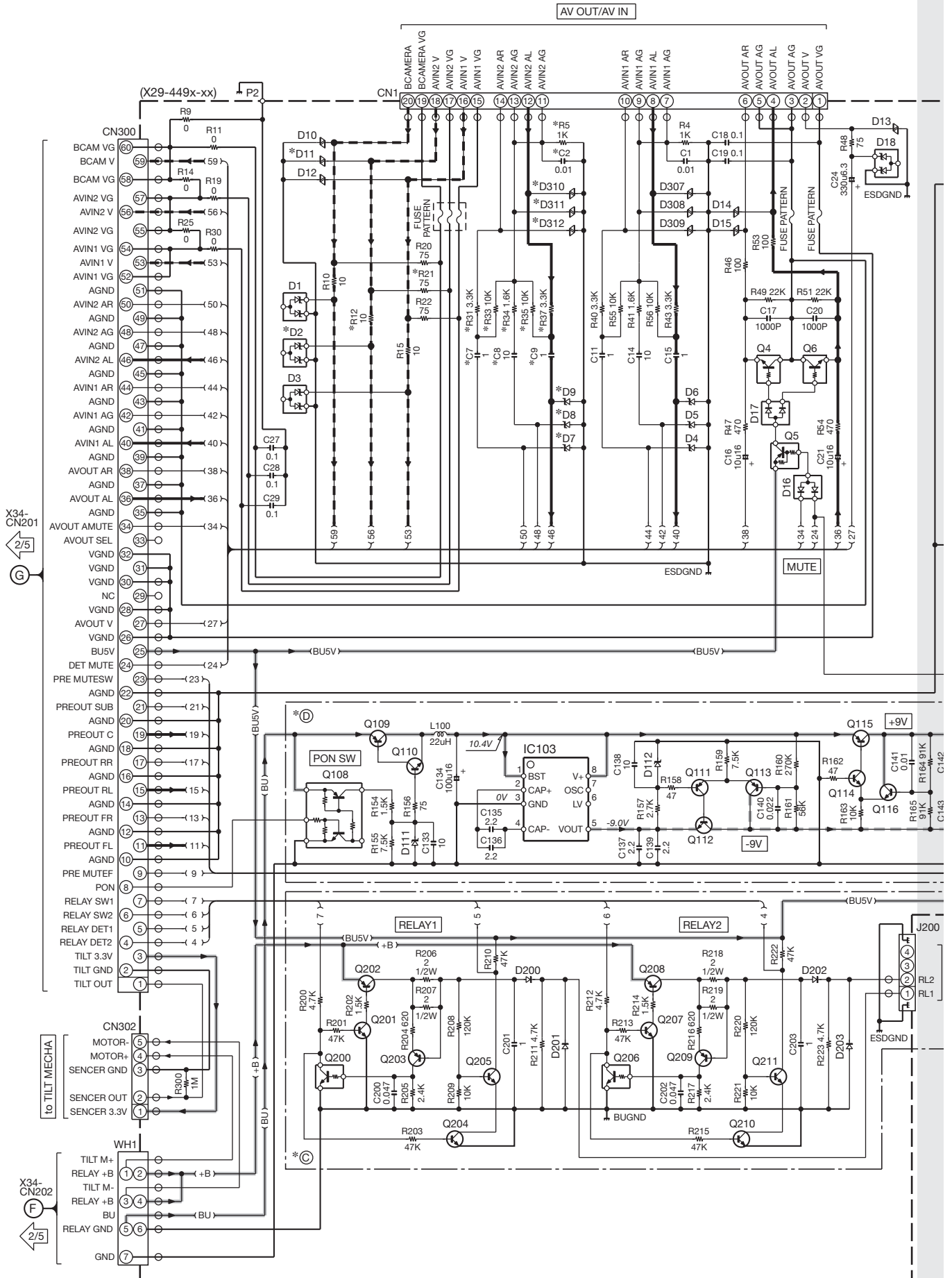
- IC101-104 : M5237ML-CF0J
- IC106,107 : XC6201P502PR
- IC151 : LB1836M-TLM-E
- IC152 : E-TDA7415CB
- IC45 : AN15887A-VTU
- IC481 : HEF4053BT
- IC482 : MM1508XNRE-E
- IC500 : E-TDA7478AD
- IC600,808 : 74AHCT1G08GW
- IC651 : 74AHCT08PW
- IC651 : DSPC56371AF17
- IC802 : AK4586VQP
- IC803 : TC7WHU04FU-F
- IC804 : S-132B33J5T1G
- IC805 : E-LD1117DTC
- IC807 : NJM455V-ZB
- IC811-814 : NJM4580V-ZB
- IC815 : NJM123V-ZB
- IC901 : E-TDA7850A

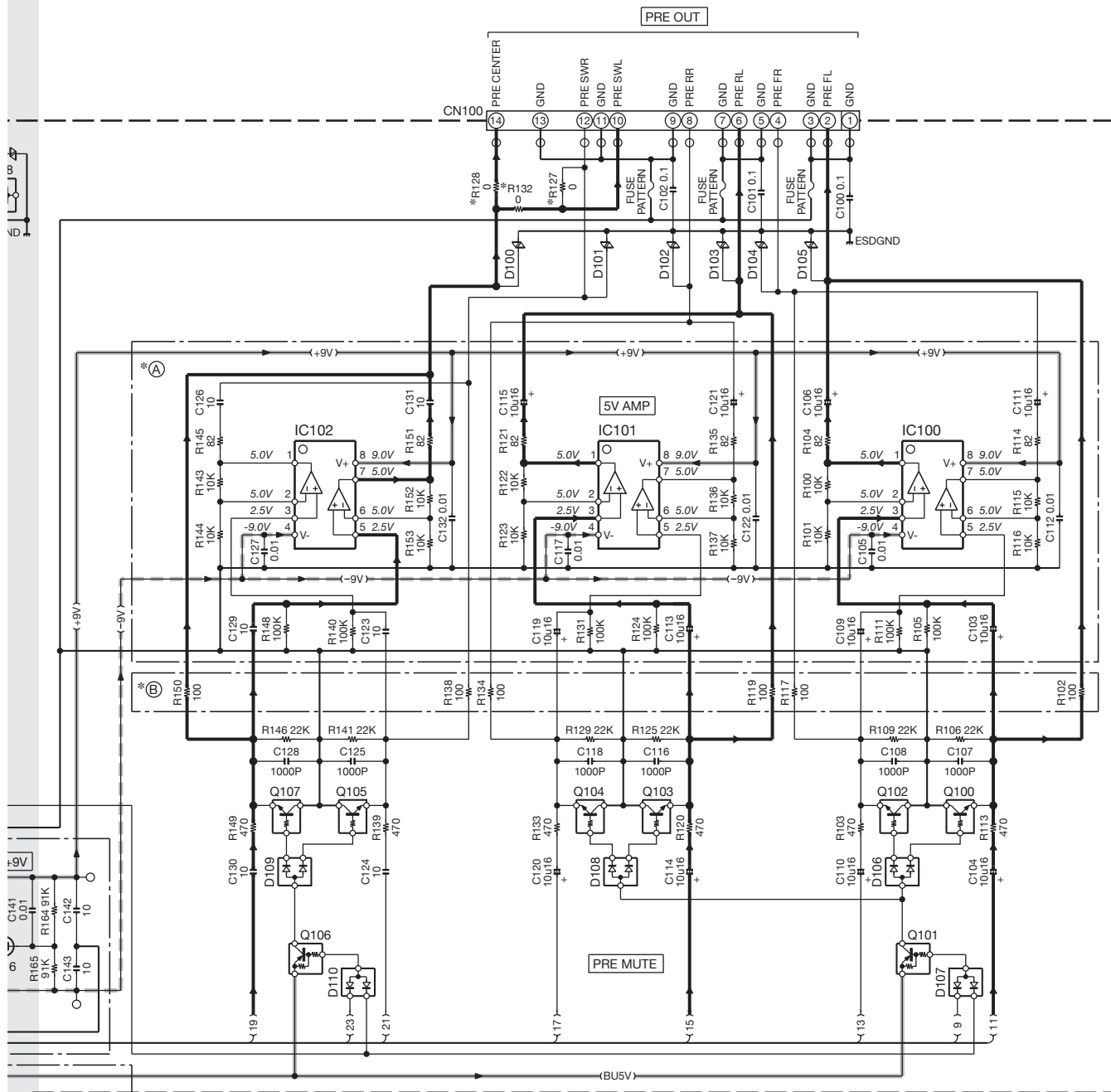
- Q1,3,101,103,106,109,112,115 : DTC124EUA
- Q2,6,306,308 : 2SA1576A
- Q4,10,11,19,301-305,307,650,651 : 2SC4081
- Q5 : 2SB1188(Q,R)
- Q7 : DTA114EUA
- Q8,108,500,656,657,659 : DTC143ZUA
- Q9 : 2SB1188(R)
- Q102,104,110,113,116 : DTA124EUA
- Q105,118 : KTA1046-P
- Q107 : 2SB1689
- Q111 : TPC8110-F
- Q114,120 : 2SB1184(Q,R)
- Q117 : 2SB17449(F)-E
- Q481,653,654,801 : DTC144EUA
- Q501 : 2SA1577
- Q660 : DTC114TUA

- D1 : RM30LF014-102
- D2-4,6,10,404,405,654,902 : 1SS355
- D5,7,601-608,610,611,652,657,658 : UDZWS.2(B)
- D8,9,11,12 : M1F60-6063
- D13 : UDZW4.7(B)
- D103 : EP05Q04
- D104,612,613,650,651 : UDZW6.8(B)
- D301 : DA204U
- D401-403,901 : DAP202U
- D609,703-705 : CVS10A120M
- D653,662,663 : CVS10A180M
- D701,702 : CVL10C270M300
- D801 : CRS04



DDX8024BT/8034BT/8034BTM/8054BT/814  
DNX9140/9240BT (2/5)



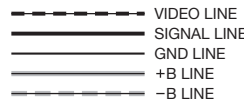


DDX8024BT/8034BT/8034BTM/8054BT/814  
DNX9140/9240BT (3/5)

- |                         |                                  |   |                               |                          |
|-------------------------|----------------------------------|---|-------------------------------|--------------------------|
| IC100-102 : NJM4565V-ZB | Q4,6,100,102-105,107 : DTC143TUA | Q110,112,114,116,201, 204,205,207,210,211 : 2SC4081 | D1-3,18 : STZ6.2N             | D16,17,106-110 : DAP202U |
| IC103 : ICL7660SIBAZ    | Q5,101,106 : DTA144EUA           | Q111,113,115,203,209 : 2SA1576A                     | D4,6,7,9 : UDZW6.8(B)         | D111 : UDZW11(B)         |
|                         | Q108 : UMC2N                     | Q200,206 : DTC114TUA                                | D10-13 : AVR16270MAAB         | D112 : UDZW5.6(B)        |
|                         | Q109,202,208 : 2SB1443           |   | D14,15,100-105 : AVR16180M6AB | D200-203 : 1SR154-400    |
|                         |                                  |   |                               | D307-312 : CVS10A120M    |

(X29-449x-xx)

MODEL NAME	DESTINATION	UNIT No.	(A)	(D)	(B)	(C)	C2, 7-9	D2,7-9,11, 310-312	R5,12,21,31, 33-35,37,127,128	R132
DNX7140	K1									
DNX7000EX	K2									
DNX7340BT	X1									
DNX7240BT	E1	0-12	—	YES	YES	—	—	—	—	YES
DDX714	K									
DDX7034BT	M1									
DDX7034BTM	M2									
DNX9140	K									
DDX814	K1									
DDX8034BT	M1									
DDX8034BTM	M2									
DNX9240BT	E1	0-13	YES	—	YES	YES	YES	YES	YES	—
DDX8024BT	E2									
DDX8034BT	R1									
DDX8054BT	Q1									
DDX6034	X2									
DDX6034M	M4	0-21	—	YES	—	—	—	—	—	YES
DDX6054	Q1									

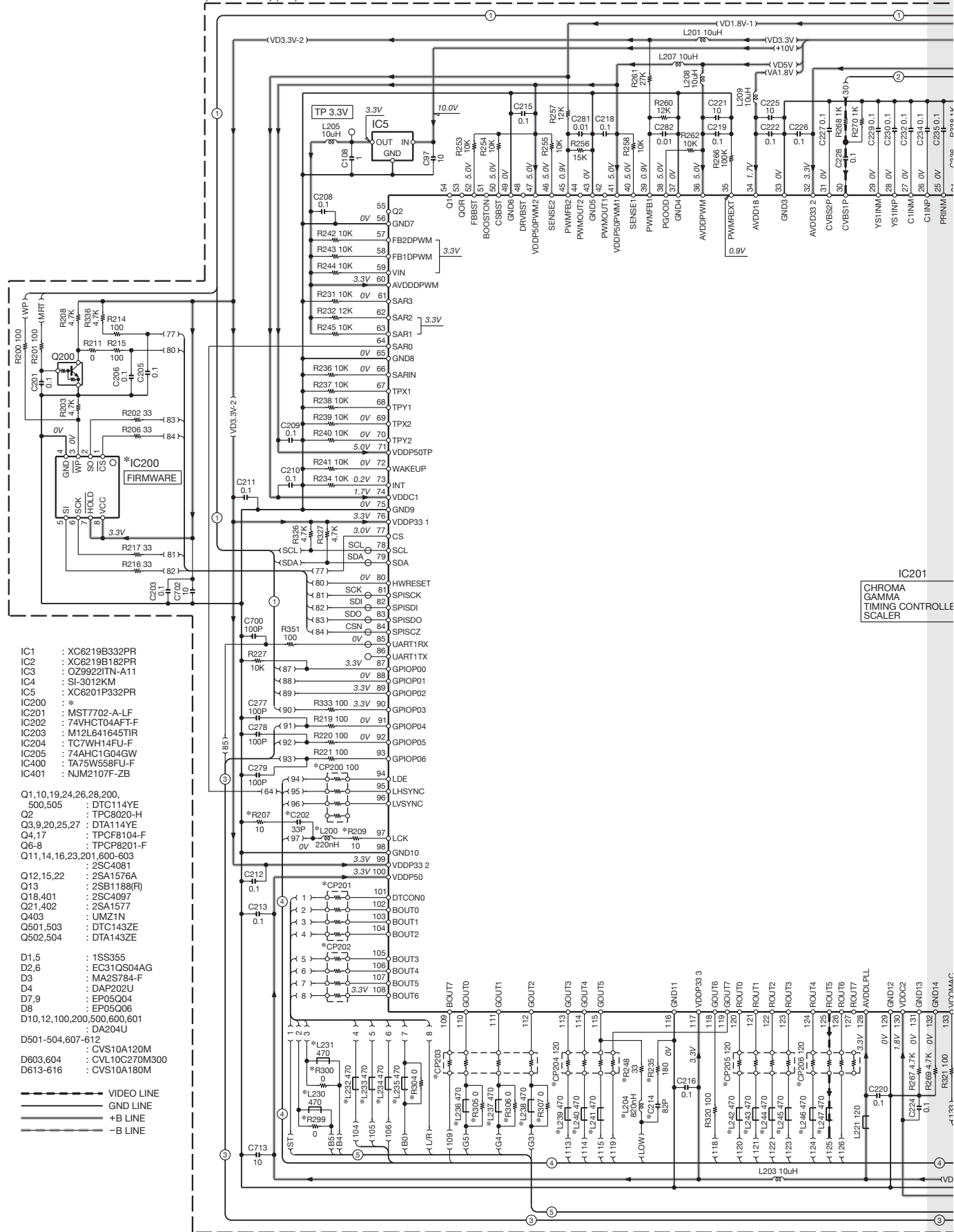


**CAUTION :** For continued safety, replace safety critical components only with manufacturer's recommended parts (refer to parts list).  $\Delta$  Indicates safety critical components. To reduce the risk of electric shock, leakage-current or resistance measurements shall be carried out (exposed parts are acceptably insulated from the supply circuit) before the appliance is returned to the customer.

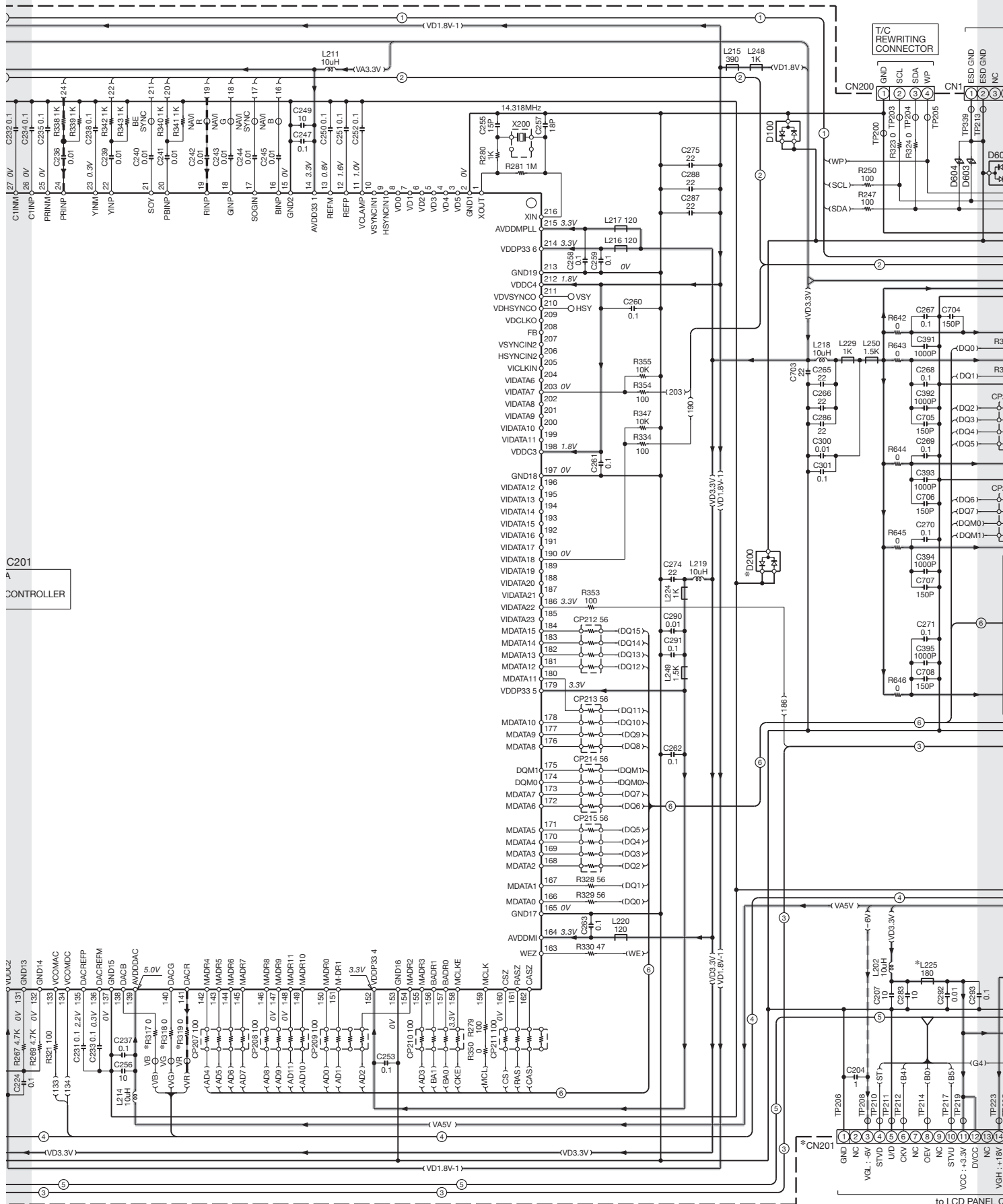
- DC voltages are as measured with a high impedance voltmeter. Values may vary slightly due to variations between individual instruments or/and units.

DDX8024BT/8034BT/8034BTM/8054BT/814  
DNX9140/9240BT

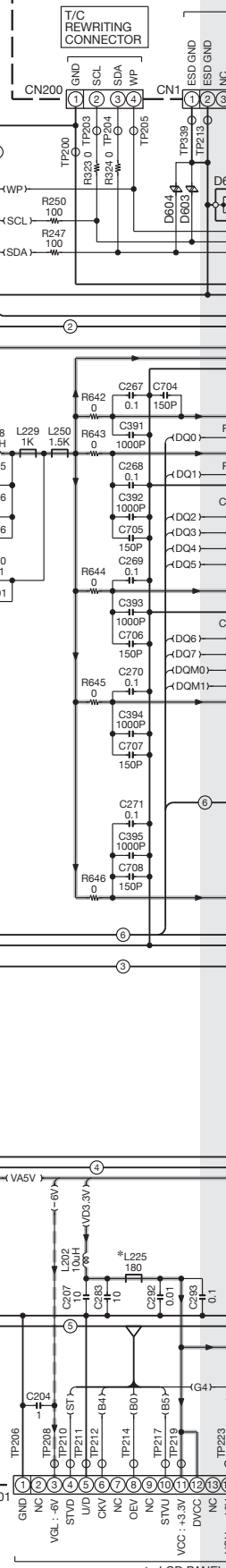
(X35-501x-xx) (A/2)



DDX8024BT/8034BT/8034BTM/8054BT/814  
DNX9140/9240BT



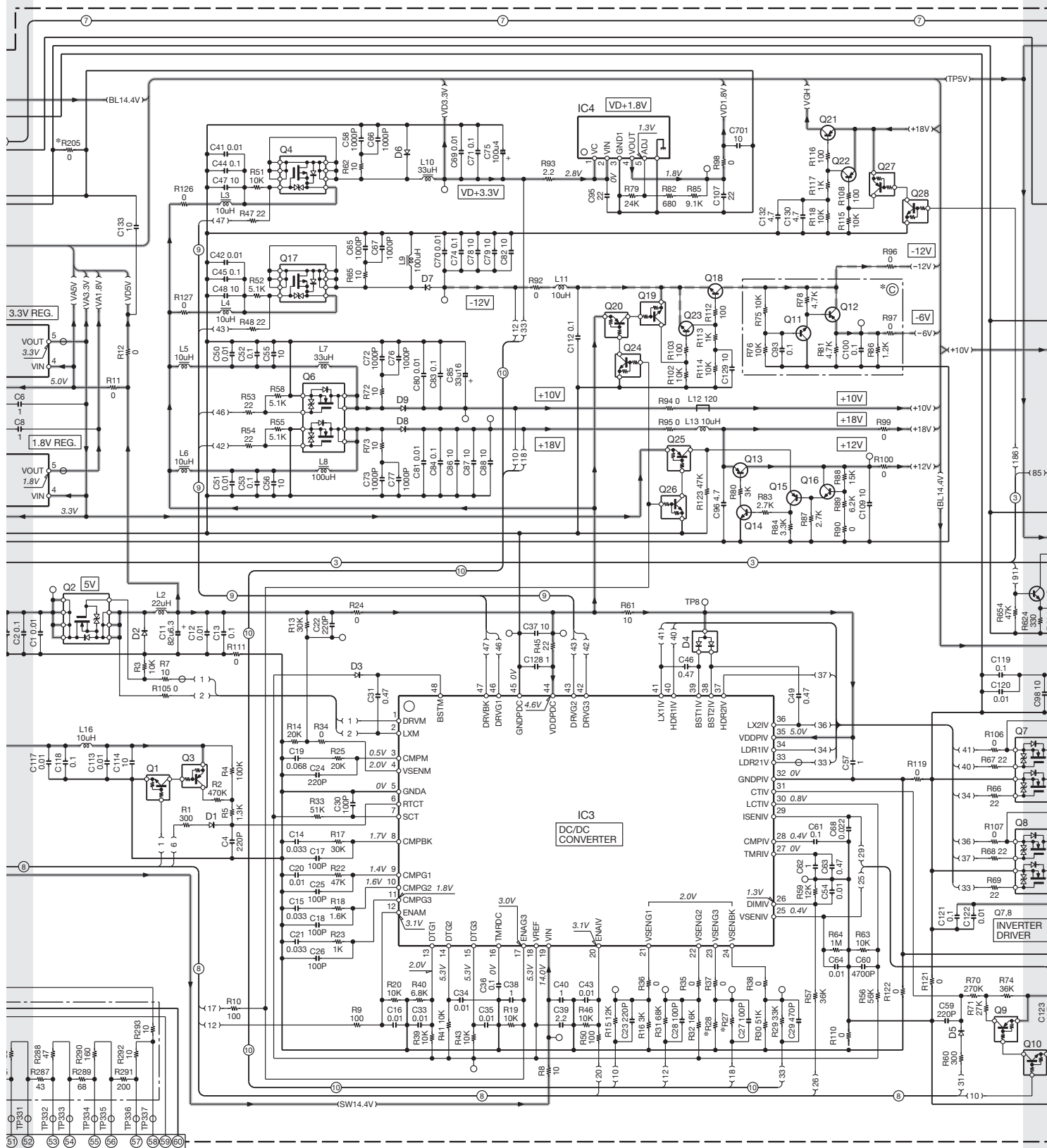
C201  
CONTROLLER



to LCD PANEL C

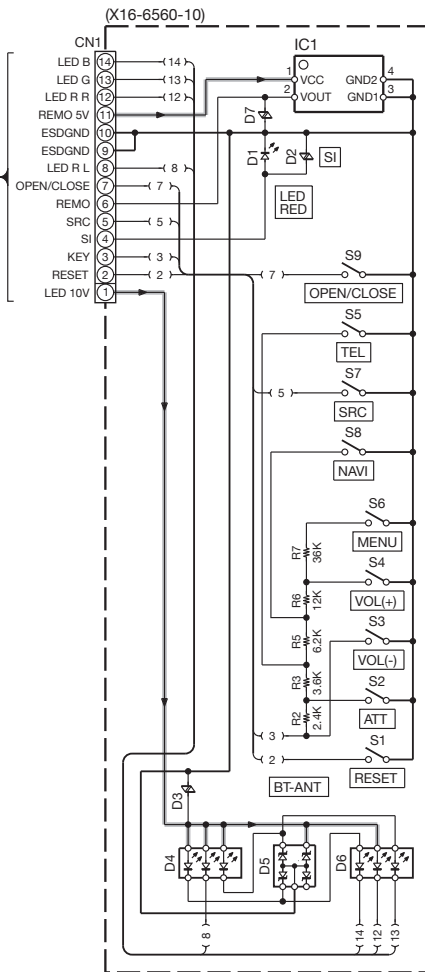
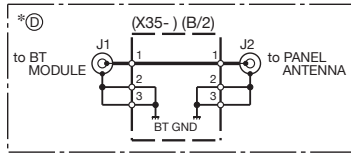
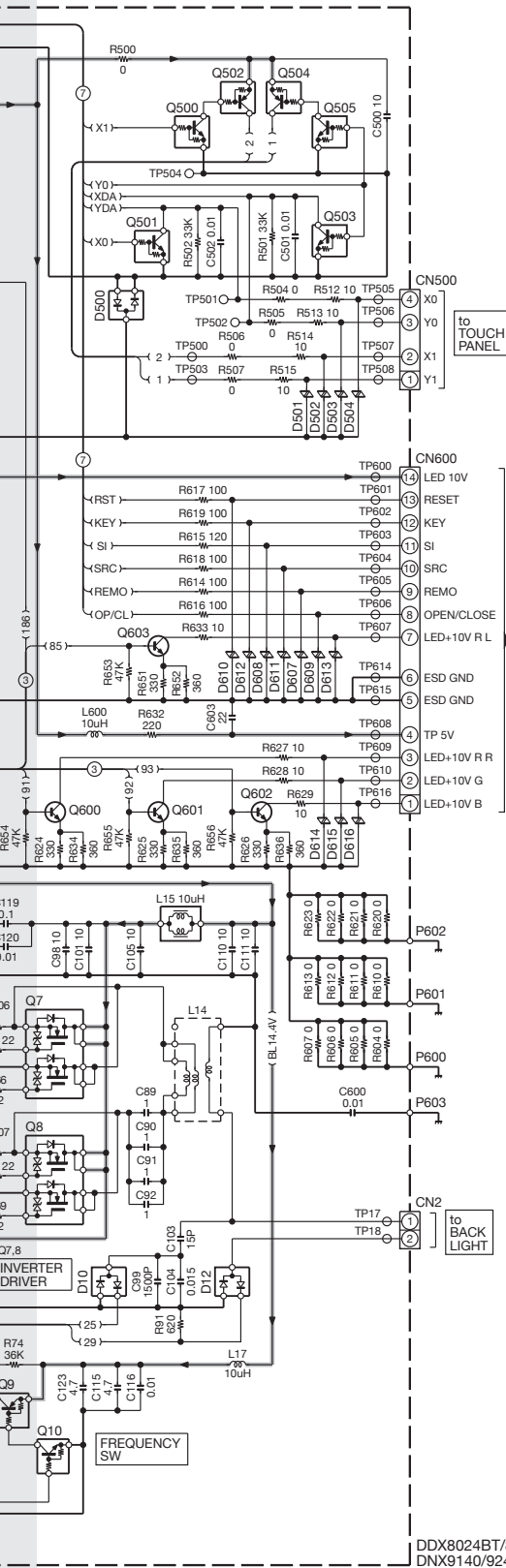






**CAUTION :** For continued safety, replace safety critical components only with manufacturer's recommended parts (refer to parts list).  
 ▲ Indicates safety critical components. To reduce the risk of electric shock, leakage-current or resistance measurements shall be carried out (exposed parts are acceptably insulated from the supply circuit) before the appliance is returned to the customer.

- DC voltages are as measured with a high impedance voltmeter. Values may vary slightly due to variations between individual instruments or/and units.



- IC1 : PIC95603  
 D1 : B30-1566-05  
 D2,3,7 : CVS10A120M  
 D4,6 : B30-1784-05  
 D5 : MKZM120HGL

DDX8024BT/8034BT/8034BTM/8054BT/814  
 DNX9140/9240BT (4/5)

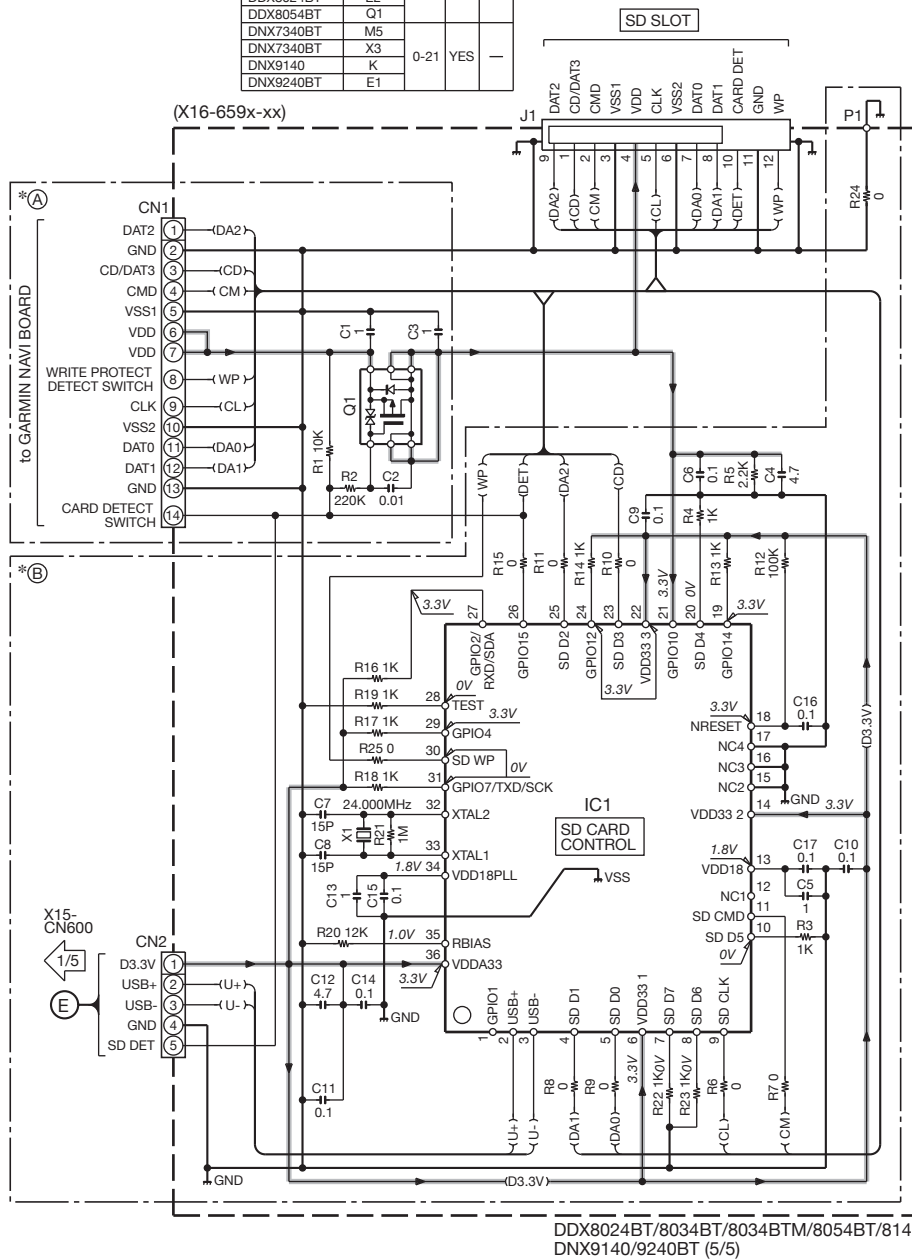
MODEL NAME	DESIGNATION	UNIT No.	CP200	CP201	D200	IC500	L200	L204	R27	R28	R205	R207	
DNX7140	K1										300.248.299	300.304-307.317-319	209
DNX7000EX	K2												
DNX7340BT	M5												
DNX7240BT	X3									2K			
DNX7240BT	E1	0-10											
DDX714	K												
DDX7034BT	M1												
DDX7034BTM	M2												
DDX7034BT	X1												
DDX6834	M3												
DDX6834M	M4												
DDX6834	X2	0-21											
DDX6834	O1												
DDX6834	K												
DDX814	K1												
DDX8034BT	M1												
DDX8034BTM	M2												
DDX8034BT	X1												
DDX8034BT	E1	0-11											
DDX8034BT	E2												
DDX8034BT	R1												
DDX8034BT	G1												

(X16-659x-xx)

MODEL NAME	DESTI-NATION	UNIT No.	(A)	(B)
DDX7034BT	M1	0-20	—	YES
DDX7034BTM	M2			
DNX7340BT	X1			
DDX8034BT	M1			
DDX8034BTM	M2			
DDX8034BT	X1	0-21	YES	—
DDX8024BT	E2			
DDX8054BT	Q1			
DNX7340BT	M5			
DNX7340BT	X3			
DNX9140	K	—	—	—
DNX9240BT	E1			

IC1 : USB22411-AEZG

Q1 : RTQ025P02



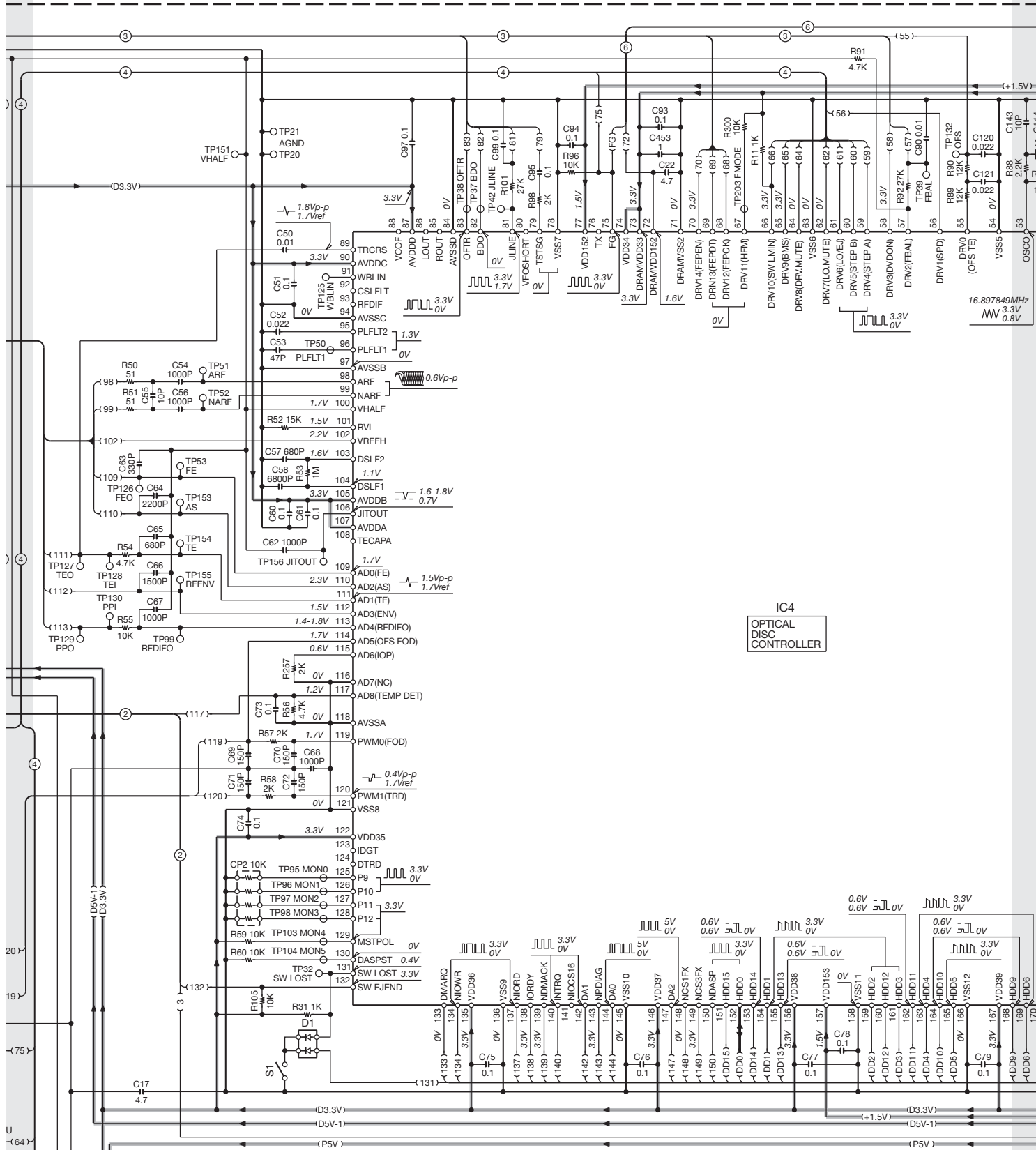
**CAUTION** : For continued safety, replace safety critical components only with manufacturer's recommended parts (refer to parts list).

△ Indicates safety critical components. To reduce the risk of electric shock, leakage-current or resistance measurements shall be carried out (exposed parts are acceptably insulated from the supply circuit) before the appliance is returned to the customer.

- DC voltages are as measured with a high impedance voltmeter. Values may vary slightly due to variations between individual instruments or/and units.

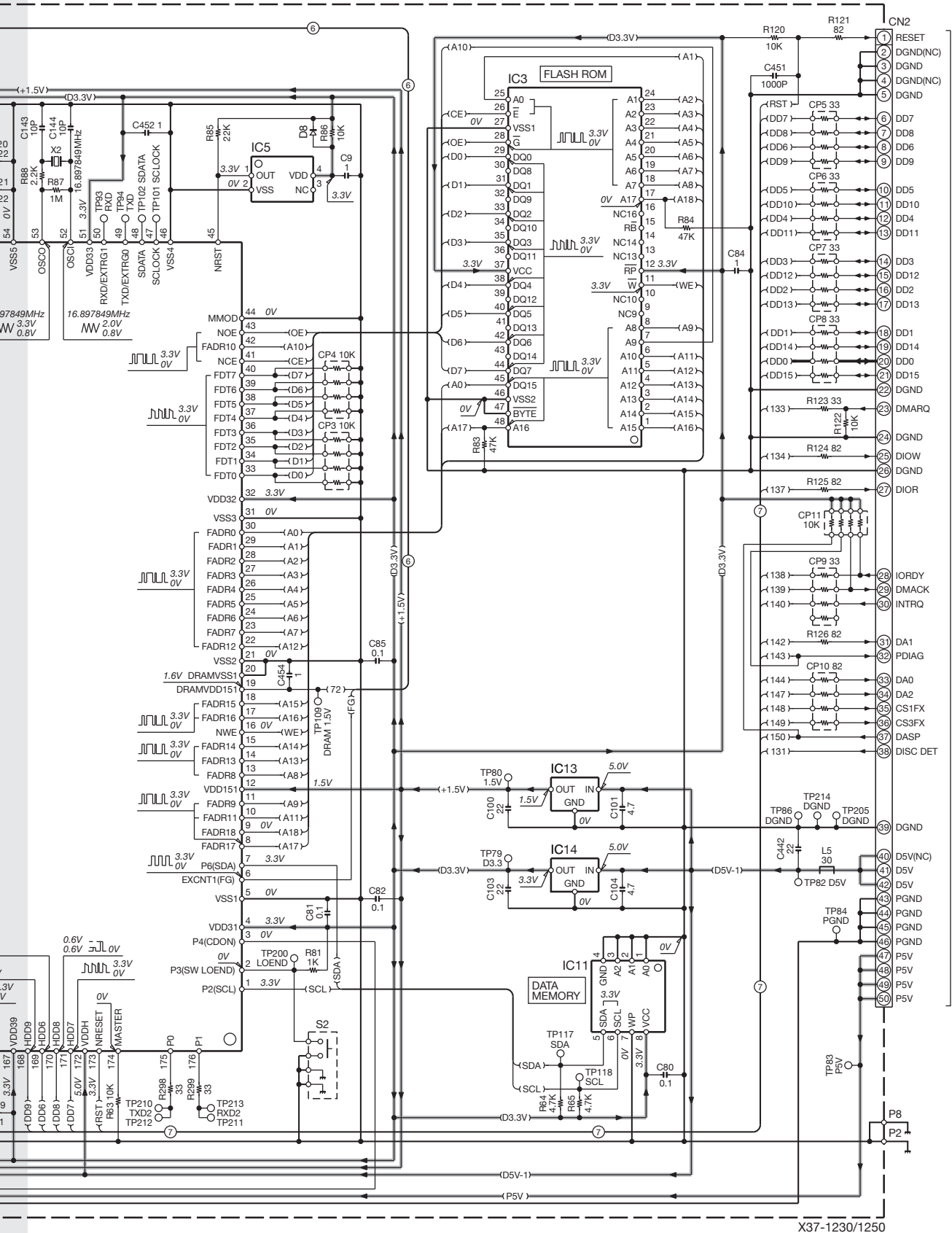


DDX8024BT/8034BT/8034BTM/8054BT/814  
DNX9140/9240BT



IC4  
OPTICAL  
DISC  
CONTROLLER

- |                      |                      |   |             |
|----------------------|----------------------|---|-------------|
| IC1 : AN22022ABV     | Q1-4 : DTA143XE      | — | SIGNAL LINE |
| IC3 : -              | Q12,13 : 2SB1709     | — | GND LINE    |
| IC4 : MN103S71F      | Q16 : UM6K1N         | — | +B LINE     |
| IC5 : S1000N2814T1G  |                      |   |             |
| IC10 : AN41250A-VB   | D1 : 1SS402-F        |   |             |
| IC11 : -             | D5,6 : 015A25.1-F(Y) |   |             |
| IC13 : MJM2845DL115B | D8 : 1SS387-F        |   |             |
| IC14 : MJM2845DL133B |                      |   |             |



X37-1230/1250

**CAUTION :** For continued safety, replace safety critical components only with manufacturer's recommended parts (refer to parts list).  
 ▲Indicates safety critical components. To reduce the risk of electric shock, leakage-current or resistance measurements shall be carried out (exposed parts are acceptably insulated from the supply circuit) before the appliance is returned to the customer.

- DC voltages are as measured with a high impedance voltmeter. Values may vary slightly due to variations between individual instruments or/and units.

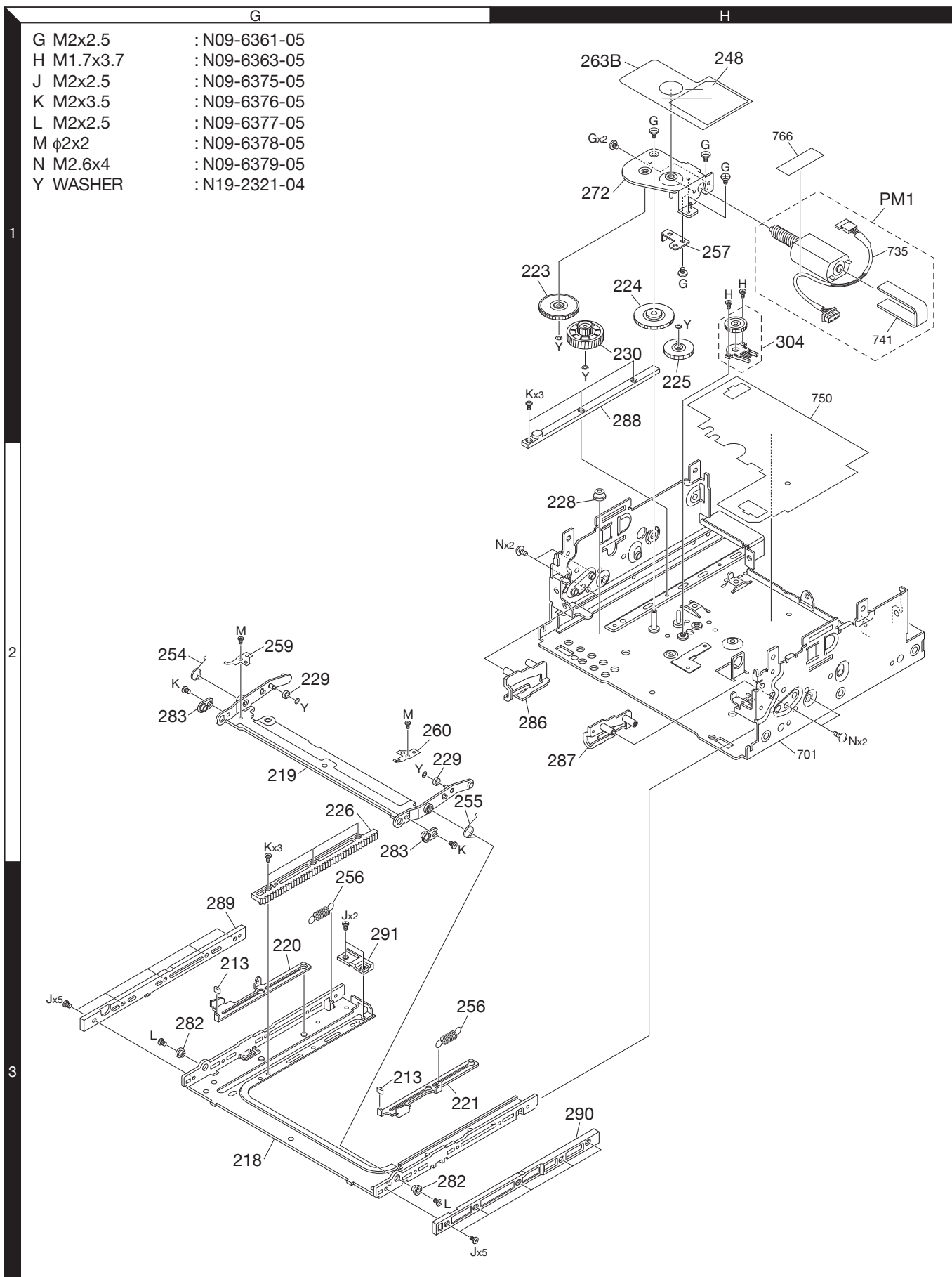








# EXPLODED VIEW (DRIVE MECHANISM)



Parts with the exploded numbers larger than 700 are not supplied.

# PARTS LIST

\* New parts

Parts without **Parts No.** are not supplied.

Les articles non mentionnés dans le **Parts No.** ne sont pas fournis.

Teile ohne **Parts No.** werden nicht geliefert.

Ref. No.	Ad	New	Parts No.	Description	Desti- nation	Ref. No.	Ad	New	Parts No.	Description	Desti- nation
<b>DDX8024BT/8034BT/8034BTM/8054BT/814 DNX9140/9240BT</b>						229	2G		D14-1011-14	ROLLER	
208	1D	*	A22-3229-01	SUB PANEL ASSY	E1	230	1H		D19-0653-23	CLUTCH ASSY	
208	1D	*	A22-3230-11	SUB PANEL ASSY	E2Q1M1	232	1F		E30-6786-05	CORD WITH PLUG	
208	1D	*	A22-3230-11	SUB PANEL ASSY	M2X1	234	1F	*	E30-6889-05	CORD WITH PINPLUG (SWITCH,3M)	KE1
208	1D	*	A22-3241-11	SUB PANEL ASSY	K1	236	1E	*	E30-6901-05	CORD WITH PINPLUG (2AVIN)	
208	1D	*	A22-3254-01	SUB PANEL ASSY	K	237	1F	*	E30-6900-05	CORD WITH PINPLUG (3PRE+CENTAR)	
						238	2D		E30-6888-05	CORD WITH CONNECTOR	
208	1D	*	A22-3255-01	SUB PANEL ASSY	R1	239	1D		E39-0915-05+	WIRING HARNESS	
209	1D		A52-0895-02	TOP PLATE		240	1C		E39-1079-05	WIRING HARNESS	
PME1	3C		A10-5300-51	CHASSIS ASSY		DC1	1E		E30-6881-15	DC CORD	KK1R1
RC1	1E		A70-2082-15	REMOTE CONTROLLER AS (RC-DV330)		DC1	1E		E30-6881-15	DC CORD	M1M2X1
-		*	B54-4722-00	INSTALLATION MANU (ENG.FRE.SPA)	KK1R1	DC2	1E		E30-6796-05	DC CORD	E1E2Q1
-		*	B54-4723-00	INSTALLATION MANUAL (POR.)	R1	FC1	2C		E39-1074-05	FLAT CABLE	
-		*	B54-4724-00	INSTALLATION MAN (E.F.G.D.I.S.P	E1E2	FC3	3C		E39-1024-05	FLAT CABLE	
-		*	B54-4725-00	INSTALLATION MANUA (ENG.RUS.UKR	Q1	FC4	2C		E39-1073-05	FLAT CABLE	
-		*	B54-4726-00	INSTALLATION MANUAL (ENG.)	M1M2X1	FC6	1D	*	E39-1102-05	FLAT CABLE	
-		*	B54-4727-00	INSTALLATION MANUAL (S-CHI.HOR.	M1	WH5	3D		E39-1078-05	WIRING HARNESS	E2Q1M1
-		*	B54-4728-00	INSTALLATION MANUAL (ARA.)	M2						
-			B64-4338-00	INSTRUCTION MANUAL (ENG.)	K	WH5	3D		E39-1078-05	WIRING HARNESS	M2X1
-			B64-4339-00	INSTRUCTION MANUAL (FRE.SPA.)	K						
-			B64-4340-00	INSTRUCTION MANUAL (ENG.)	E1						
-			B64-4341-00	INSTRUCTION MANUA (FRE.GER.DUT)	E1	243	1D		F09-2929-04	CAP	
-			B64-4342-00	INSTRUCTION MANUA (ITA.SPA.POR)	E1	247	3D		F09-2972-04	SHEET	
-		*	B64-4378-00	INSTRUCTION MANUAL (ENG.)	KK1R1	248	3D		F12-0978-04	SHIELDING SHEET	
-		*	B64-4379-00	INSTRUCTION MANUAL (FRE.)	KK1	248	1H		F19-1809-04	SHIELDING PLATE	
-		*	B64-4380-00	INSTRUCTION MANUAL (SPA.)	KK1R1	249	3D		F12-0979-04	SHIELDING SHEET	
-		*	B64-4381-00	INSTRUCTION MANUAL (POR.)	R1	250	2C	*	F12-0986-04	SHIELDING SHEET	E1
-		*	B64-4382-00	INSTRUCTION MANUAL (ENG.)	E1E2Q1	253	1F		F29-0626-04	INSULATING COVER	
-		*	B64-4383-00	INSTRUCTION MANUAL (FRE.)	E1E2	F1	2C		F52-0007-05	FUSE (MINI BLADE TYPE) 15A	
-		*	B64-4384-00	INSTRUCTION MANUAL (GER.)	E1E2	254	2G		G01-3288-04	TORSION COIL SPRING	
-		*	B64-4385-00	INSTRUCTION MANUAL (DUT.)	E1E2	255	2G		G01-3289-04	TORSION COIL SPRING	
-						256	3G		G01-3290-04	EXTENSION SPRING	
-		*	B64-4386-00	INSTRUCTION MANUAL (ITA.)	E1E2	257	1H		G02-1539-04	FLAT SPRING	
-		*	B64-4387-00	INSTRUCTION MANUAL (SPA.)	E1E2	259	2G		G02-1544-04	FLAT SPRING	
-		*	B64-4388-00	INSTRUCTION MANUAL (POR.)	E1E2	260	2G		G02-1545-04	FLAT SPRING	
-		*	B64-4389-00	INSTRUCTION MANUAL (RUS.)	Q1	261	3D		G11-3799-04	CUSHION	
-		*	B64-4390-00	INSTRUCTION MANUAL (UKR.)	Q1	263B	1H		G16-1725-03	SHEET	
-		*	B64-4391-00	INSTRUCTION MANUAL(ENG.)	M1M2X1	-		*	H54-4572-03	ITEM CARTON CASE	K
-		*	B64-4392-00	INSTRUCTION MANUAL(S-CHI.)	M1	-		*	H54-4573-03	ITEM CARTON CASE	E1
-		*	B64-4393-00	INSTRUCTION MANUAL(KOR.)	M1	-		*	H54-4574-03	ITEM CARTON CASE	K1
-		*	B64-4394-00	INSTRUCTION MANUAL(ARA.)	M2	-		*	H54-4575-03	ITEM CARTON CASE	E2
211	1F		B07-3172-12	ESCUTCHEON	KK1R1	-		*	H54-4576-03	ITEM CARTON CASE	Q1
211	1F		B07-3172-12	ESCUTCHEON	Q1M1M2	-		*	H54-4577-03	ITEM CARTON CASE	R1
211	1F		B07-3172-12	ESCUTCHEON	X1	-		*	H54-4578-03	ITEM CARTON CASE	M1X1
212	1E		B07-3224-31	ESCUTCHEON		-		*	H54-4579-03	ITEM CARTON CASE	M2
213	3G		B09-0541-04	CAP		268	1E		H30-0595-04	ADHESIVE DOUBLE-COATED TAPE	KK1R1
217	1E		D10-7012-04	LEVER		268	1E		H30-0595-04	ADHESIVE DOUBLE-COATED TAPE	Q1M1M2
218	3G		D10-4895-22	SLIDER ASSY		268	1E		H30-0595-04	ADHESIVE DOUBLE-COATED TAPE	X1
219	2G		D10-4897-13	ARM ASSY		269	1F		J11-0660-05	CLAMPER	K
220	3G		D10-4899-03	LEVER		270	1F		J21-9867-04	MOUNTING HARDWARE	KE1
221	3G		D10-4900-03	LEVER		272	1H		J22-0444-13	MOUNTING HARDWARE ASSY	
223	1H		D13-2394-04	GEAR		275	1E		J22-0657-03	MOUNTING HARDWARE ASSY	
224	1H		D13-2395-04	GEAR		282	3G		J31-1075-14	COLLAR (ARM COLLAR)	
225	1H		D13-2396-04	GEAR		283	2G		J31-1077-04	COLLAR (PANEL COLLAR)	
226	2G		D13-2397-03	RACK (GEAR)		286	2H		J90-1124-13	GUIDE ASSY	
228	2H		D14-1010-04	ROLLER							

**E1:** DNX9240BT **E2:** DDX8024BT (Europe) **Q1:** DDX8054BT (Russian)  
**K:** DNX9140 **K1:** DDX814 (North America)  
**X1:** DDX8034BT (Australia) **R1:** DDX8034BT (Latin America)  
**M1:** DDX8034BT **M2:** DDX8034BTM (Other Areas)

△ Indicates safety critical components.



# PARTS LIST

DDX8024BT/8034BT/8034BTM/8054BT/814  
DNX9140/9240BT

Ref. No.	A d	N e w	Parts No.	Description	Desti- nation
287	2H		J90-1126-13	GUIDE ASSY	
288	2H		J90-1128-03	RAIL	
289	3G		J90-1129-23	RAIL	
290	3H		J90-1130-23	RAIL	
291	3G		J90-1131-03	GUIDE	
293	3C		J90-1160-01	RAIL	
294	3C		J90-1161-01	RAIL	
FPC1	3D	*	J86-0057-15	FPC (LEAD FREE)	
303	1E		N99-1779-15	SCREW SET	KK1R1
303	1E		N99-1779-15	SCREW SET	M1M2X1
A	3C		N86-2605-48	BINDING HEAD TAPTITE SCREW	
AA	2E		N35-2003-48	BINDING HEAD MACHINE SCREW	
C	3E		N09-6489-05	MACHINE SCREW (M2.0X3.0)	
F	3C		N09-6490-05	STEPPED SCREW (PANEL SCREW)	
G	1H		N09-6361-05	MACHINE SCREW (M2X2.5)	
H	1H		N09-6363-05	MACHINE SCREW (M1.7X3.7)	
J	3G		N09-6375-05	MACHINE SCREW (M2X2.5)	
K	2G		N09-6376-05	MACHINE SCREW (M2X3.5)	
L	3G		N09-6377-05	MACHINE SCREW (M2X2.5)	
M	2G		N09-6378-05	TAPTITE SCREW (STITE 2X2)	
N	2H		N09-6379-05	MACHINE SCREW (M2.6X4 BIND)	
R	2C		N09-6491-05	MACHINE SCREW (M2.6X27)	
T	3C		N09-6493-05	MACHINE SCREW (M2.6X5)	
U	1D		N09-6494-05	MACHINE SCREW	
W	3C		N09-6425-15	MACHINE SCREW (M3.0X5)	
Y	1H		N19-2321-04	FLAT WASHER (1.6X4X0.25)	
304	1H		R31-0248-05	VARIABLE RESISTOR	
PM1	1H		T42-1322-24	MOTOR ASSY	
307	1F		W01-1718-05	MICROPHONE	
308	2D	*	W02-5360-15	ELECTRIC CIRCUIT MODULE (BT)	
309	1F		W02-5305-05	ANTENNA MODULE (GPS-ANT)	KE1
311	2D	*	X15-1290-10	VIDEO CONTROL UNIT	K
311	2D	*	X15-1290-11	VIDEO CONTROL UNIT	K1
311	2D	*	X15-1290-21	VIDEO CONTROL UNIT	M1M2
311	2D	*	X15-1290-71	VIDEO CONTROL UNIT	X1
311	2D	*	X15-1292-71	VIDEO CONTROL UNIT	E1
311	2D	*	X15-1292-72	VIDEO CONTROL UNIT	E2
311	2D	*	X15-1293-21	VIDEO CONTROL UNIT	R1
311	2D	*	X15-1293-81	VIDEO CONTROL UNIT	Q1
313	3D	*	X16-6590-20	SUB-CIRCUIT UNIT	E2Q1M1
313	3D	*	X16-6590-20	SUB-CIRCUIT UNIT	M2X1
313	3D		X16-6590-21	SUB-CIRCUIT UNIT	KE1
<b>DISPLAY ASSY</b>					
320	3E		A21-6723-03	DRESSING PANEL	
321	3E		A21-6724-03	DRESSING PANEL	
322	3E		A21-6725-03	DRESSING PANEL	
323	1F		A46-1893-02	REAR COVER	
PA1	3E	*	A64-4845-11	PANEL	K
PA1	3E	*	A64-4846-11	PANEL	E1
PA1	3E	*	A64-4847-11	PANEL	K1
PA1	3E	*	A64-4848-11	PANEL	E2
PA1	3E	*	A64-4849-11	PANEL	M1M2X1

Ref. No.	A d	N e w	Parts No.	Description	Desti- nation
PA1	3E	*	A64-4926-11	PANEL	R1
PA1	3E	*	A64-4927-11	PANEL	Q1
325	3E		B10-5266-04	FRONT GLASS	
326	3E		B10-5267-04	FRONT GLASS	
327	3E	*	B11-2031-13	OPTICAL DIFFUSER	
329	3E		B43-1548-04	BADGE	
LCD1	3F	*	B38-1216-05	LCD	
331	2E		D14-1024-04	ROLLER	
333	2F		F07-2208-02	COVER	
338	2F		F09-3017-04	SHEET	
339	3E		F09-3025-04	SHEET	
340	3E		F12-0976-04	SHIELDING SHEET	
341	2F		F20-2433-04	INSULATING SHEET	
342	2F	*	F20-2487-13	INSULATING SHEET	
344	2E		G01-4659-04	COMPRESSION SPRING	
345	2E	*	G16-1757-04	SHEET	
347	2F		G16-1749-04	SHEET	
348	2F		G16-1755-04	SHEET	
349	2E	*	J22-0872-12	MOUNTING HARDWARE ASSY	
FPC2	3E		J86-0060-05	FPC (LEAD FREE)	
351	3E		K24-5011-04	PUSH KNOB (RESET)	
352	3E		K25-1960-13	KNOB ASSY (VOL..)	
353	3E	*	K25-1962-23	KNOB ASSY (SRC..)	KE1
353	3E	*	K25-1966-23	KNOB ASSY (SRC..)	K1R1E2
353	3E	*	K25-1966-23	KNOB ASSY (SRC..)	Q1M1M2
353	3E	*	K25-1966-23	KNOB ASSY (SRC..)	X1
AA	2E		N35-2003-48	BINDING HEAD MACHINE SCREW	
C	3E		N09-6489-05	MACHINE SCREW (M2.0X3.0)	
X	2E		N19-2332-04	FLAT WASHER (1.2X3.2X0.25)	
355	3F		S79-0868-05	SWITCH ASSY (TOUCH PANEL)	
356	3E		T90-0596-05	ANTENNA ASSY (BT)	
357	3F		X16-6560-10	SWITCH UNIT	
<b>DVD PLAYER ASSY</b>					
E	1D		N35-2604-43	BINDING HEAD MACHINE SCREW	
VME1	1D		X92-6400-00	DVD MECHANISM ASSY (DVS-8220W)	
<b>CONTROL ASSY (NAVI)</b>					
FC5	3D		E39-1026-05	FLAT CABLE	KE1
362	3D	*	W02-5356-15	NAVIGATION MODULE	K
362	3D	*	W02-5357-15	NAVIGATION MODULE	E1
<b>VIDEO CONTROL UNIT (X15-129x-xx)</b>					
D91			B30-1767-05	LED	
C1			C90-5670-05	ELECTRO	2200UF 16WV
C2 ,3			CK73GB1H104K	CHIP C	0.10UF K
C4			CK73GB1H103K	CHIP C	0.010UF K
C5			CK73GB1H104K	CHIP C	0.10UF K
C6			CK73GB1H103K	CHIP C	0.010UF K

E1: DNX9240BT E2: DDX8024BT (Europe) Q1: DDX8054BT (Russian)  
K: DNX9140 K1: DDX814 (North America)  
X1: DDX8034BT (Australia) R1: DDX8034BT (Latin America)  
M1: DDX8034BT M2: DDX8034BTM (Other Areas)

△Indicates safety critical components.



# PARTS LIST

## VIDEO CONTROL UNIT (X15-129x-xx)

Ref. No.	Add	New	Parts No.	Description	Destination	Ref. No.	Add	New	Parts No.	Description	Destination
C7			CK73GB1H104K	CHIP C 0.10UF K		C173			CE32AV0J221M	CHIP EL 220UF 6.3WV	
C8		*	CK73ER2J333K	CHIP C 33000PF K	E1E2Q1	C174			CE32AV0G331M	CHIP EL 330UF 4.0WV	
C8		*	CK73ER2J333K	CHIP C 33000PF K	M1M2	C175,176			CK73GB1H104K	CHIP C 0.10UF K	
C10			CK73GB1A105K	CHIP C 1.0UF K		C177,178			CK73GB1H103K	CHIP C 0.010UF K	
C11			CE32BQ1C221M	CHIP EL 220UF 16WV		C179,180			CC73GCH1H101J	CHIP C 100PF J	
C12			CK73FB0J106K	CHIP C 10UF K		C181-183			CK73GB1H103K	CHIP C 0.010UF K	
C13 -16			CK73GB1A105K	CHIP C 1.0UF K		C184			CK73GB1H223K	CHIP C 0.022UF K	
C18			CK73GB1H104K	CHIP C 0.10UF K		C185-188			CC73GCH1H470J	CHIP C 47PF J	
C19			CE32BQ1E101M	CHIP EL 100UF 25WV		C189			CK73GB1H103K	CHIP C 0.010UF K	
C20			CK73GB1H103K	CHIP C 0.010UF K		C190			CK73GB1H102K	CHIP C 1000PF K	
C21			CK73GB1H104K	CHIP C 0.10UF K		C191			CC73GCH1H101J	CHIP C 100PF J	
C51			CK73HB1A104K	CHIP C 0.10UF K		C192			CK73FB0J106K	CHIP C 10UF K	
C52			CK73HB1E103K	CHIP C 0.010UF K		C193			CK73GB1H104K	CHIP C 0.10UF K	
C53			CK73GB1H103K	CHIP C 0.010UF K		C194			CK73EB1E225K	CHIP C 2.2UF K	
C54			CK73FB0J106K	CHIP C 10UF K		C195			CK73GB1H104K	CHIP C 0.10UF K	
C55			CE32BJ1C100M	CHIP EL 10UF 16WV		C201			CK73FB0J106K	CHIP C 10UF K	
C56			CK73GB1H102K	CHIP C 1000PF K		C202			CK73GB1H222K	CHIP C 2200PF K	
C61			CK73HB1E103K	CHIP C 0.010UF K		C203			CK73FB0J106K	CHIP C 10UF K	
C62			CK73HB1A104K	CHIP C 0.10UF K		C204			CK73GB1H222K	CHIP C 2200PF K	
C101,102			CK73GB1H104K	CHIP C 0.10UF K		C205			CC73HCH1H150J	CHIP C 15PF J	
C103,104			CK73GB1H103K	CHIP C 0.010UF K		C206			CC73HCH1H120J	CHIP C 12PF J	
C105,106			CK73GB1H102K	CHIP C 1000PF K		C207			CK73HB1A104K	CHIP C 0.10UF K	
C109-112			CK73EB1E106K	CHIP C 10UF K		C208,209			CC73HCH1H080D	CHIP C 8.0PF D	
C113,114			CK73GB1H104K	CHIP C 0.10UF K		C210			CK73HB1A104K	CHIP C 0.10UF K	
C115,116			CK73GB1H103K	CHIP C 0.010UF K		C212-215			CK73HB1A104K	CHIP C 0.10UF K	
C117,118			CK73GB1H104K	CHIP C 0.10UF K		C216-219			CC73HCH1H101J	CHIP C 100PF J	
C119-122			CK73GB1H102K	CHIP C 1000PF K		C221			CC73HCH1H101J	CHIP C 100PF J	
C123			CE32AV1A121M	CHIP EL 120UF 10WV		C222			CK73HB1A104K	CHIP C 0.10UF K	
C124			CE32AV0J221M	CHIP EL 220UF 6.3WV		C223			CK73HB1H102K	CHIP C 1000PF K	
C125,126			CK73GB1H104K	CHIP C 0.10UF K		C224			CC73HCH1H101J	CHIP C 100PF J	
C127,128			CK73GB1H103K	CHIP C 0.010UF K		C225,226			CK73HB0J105K	CHIP C 1.0UF K	
C131,132			CC73GCH1H221J	CHIP C 220PF J		C227			CC73HCH1H101J	CHIP C 100PF J	
C133			CK73GB1H473K	CHIP C 0.047UF K		C228			CK73HB1E103K	CHIP C 0.010UF K	
C134			CK73GB1H103K	CHIP C 0.010UF K		C231			CK73HB1E103K	CHIP C 0.010UF K	
C135			CK73GB1H223K	CHIP C 0.022UF K		C235-237			CK73HB1A104K	CHIP C 0.10UF K	
C136			CK73GB1H103K	CHIP C 0.010UF K		C238			CK73HB1E103K	CHIP C 0.010UF K	
C137			CC73GCH1H101J	CHIP C 100PF J		C240			CK73HB1A104K	CHIP C 0.10UF K	KK1R1
C138			CC73GCH1H470J	CHIP C 47PF J		C241,242			CK73HB1E103K	CHIP C 0.010UF K	
C139			CK73GB1H103K	CHIP C 0.010UF K		C244			CK73HB1E103K	CHIP C 0.010UF K	
C140			CK73GB1H102K	CHIP C 1000PF K		C301			CK73GB1H103K	CHIP C 0.010UF K	KE1
C141			CC73GCH1H101J	CHIP C 100PF J		C302			CK73GB1H104K	CHIP C 0.10UF K	
C142,143			CK73GB1H102K	CHIP C 1000PF K		C304			CK73GB1H103K	CHIP C 0.010UF K	
C144			CK73EB1E225K	CHIP C 2.2UF K		C305			CK73GB1H104K	CHIP C 0.10UF K	
C145			CK73GB1H104K	CHIP C 0.10UF K		C308			CK73GB1H471K	CHIP C 470PF K	
C146			CK73FB0J106K	CHIP C 10UF K		C309			CK73EB1E106K	CHIP C 10UF K	
C147			CK73GB1H104K	CHIP C 0.10UF K		C310			CK73GB1H471K	CHIP C 470PF K	
C148			CK73HB1E103K	CHIP C 0.010UF K		C311			CK73EB1E106K	CHIP C 10UF K	
C151,152			CK73GB1H104K	CHIP C 0.10UF K		C312-314			CK73HB1A104K	CHIP C 0.10UF K	
C153,154			CK73GB1H103K	CHIP C 0.010UF K		C403			CK73GB1H104K	CHIP C 0.10UF K	KE1
C155,156			CK73GB1H102K	CHIP C 1000PF K		C404			CK73GB1H103K	CHIP C 0.010UF K	KE1
C159-162			CK73EB1E106K	CHIP C 10UF K		C405,406			CK73GB1A474K	CHIP C 0.47UF K	
C163,164			CK73GB1H104K	CHIP C 0.10UF K		C407			CE32BJ0J470M	CHIP EL 47UF 6.3WV	
C165,166			CK73GB1H103K	CHIP C 0.010UF K		C411			CK73HB1E103K	CHIP C 0.010UF K	
C167,168			CK73GB1H104K	CHIP C 0.10UF K		C421			CK73FB0J106K	CHIP C 10UF K	
C169-172			CK73GB1H102K	CHIP C 1000PF K		C422			CK73HB1A104K	CHIP C 0.10UF K	

E1: DNX9240BT E2: DDX8024BT (Europe) Q1: DDX8054BT (Russian)  
K: DNX9140 K1: DDX814 (North America)  
X1: DDX8034BT (Australia) R1: DDX8034BT (Latin America)  
M1: DDX8034BT M2: DDX8034BTM (Other Areas)

△ Indicates safety critical components.

# PARTS LIST

## VIDEO CONTROL UNIT (X15-129x-xx)

Ref. No.	A d	N e w	Parts No.	Description	Desti- nation	Ref. No.	A d	N e w	Parts No.	Description	Desti- nation
C423			CC73HCH1H101J	CHIP C 100PF J		C610			CK73HB1A104K	CHIP C 0.10UF K	
C424			CK73HB1A104K	CHIP C 0.10UF K		C612			CE32BF1C221M	CHIP EL 220UF 16WV	
C425			CE32BJ1C100M	CHIP EL 10UF 16WV		C613			CK73HB1A104K	CHIP C 0.10UF K	
C426			CK73HB1A104K	CHIP C 0.10UF K		C614			CK73FB0J106K	CHIP C 10UF K	
C428			CK73FB0J106K	CHIP C 10UF K		C615,616			CK73HB1A104K	CHIP C 0.10UF K	
C431-434			CK73GB1A105K	CHIP C 1.0UF K		C617,618			CK73HB1H102K	CHIP C 1000PF K	
C435-438			CC73GCH1H100D	CHIP C 10PF D		C619			CC73HCH1H101J	CHIP C 100PF J	
C451			CK73HB0J105K	CHIP C 1.0UF K	KE1	C620			CK73FB0J106K	CHIP C 10UF K	
C452			CK73HB0J474K	CHIP C 0.47UF K	KE1	C621			CK73HB1H102K	CHIP C 1000PF K	
C453-458			CK73GB0J475K	CHIP C 4.7UF K	KE1	C622			CK73HB1A104K	CHIP C 0.10UF K	
C459,460			CK73GB1A105K	CHIP C 1.0UF K	KE1	C623			CE32BF1C221M	CHIP EL 220UF 16WV	
C491			CK73FB1A225K	CHIP C 2.2UF K		C624,625			CK73HB1A104K	CHIP C 0.10UF K	
C500-503			CK73GB1A105K	CHIP C 1.0UF K		C626,627			CK73HB1H102K	CHIP C 1000PF K	
C504			CK73HB1A104K	CHIP C 0.10UF K		C701			CK73HB1E103K	CHIP C 0.010UF K	
C505,506			CK73FB0J106K	CHIP C 10UF K		C704			CK73FB0J106K	CHIP C 10UF K	
C507			CK73HB1A104K	CHIP C 0.10UF K		C707			CK73FB0J106K	CHIP C 10UF K	
C509			CK73HB1A104K	CHIP C 0.10UF K		C708			CE32BQ0J560M	CHIP EL 56UF 6.3WV	
C510,511			CK73EB1A106K	CHIP C 10UF K		C709			CK73FB0J106K	CHIP C 10UF K	
C512,513			CK73HB1H222K	CHIP C 2200PF K		C712-714			CK73HB1A104K	CHIP C 0.10UF K	
C514			CK73HB1A104K	CHIP C 0.10UF K		C718,719			CK73HB1E103K	CHIP C 0.010UF K	
C515			CK73FB0J106K	CHIP C 10UF K		C800-813			CK73HB1A104K	CHIP C 0.10UF K	
C516			CK73GB1A105K	CHIP C 1.0UF K		C814			CK73FB0J106K	CHIP C 10UF K	
C517			CK73HB1H221K	CHIP C 220PF K		C815,816			CC73HCH1H470J	CHIP C 47PF J	
C518			CK73HB1A104K	CHIP C 0.10UF K		C817,818			CK73HB1A104K	CHIP C 0.10UF K	
C519			CK73HB1H221K	CHIP C 220PF K		C819			CK73FB0J106K	CHIP C 10UF K	
C520			CK73HB1E103K	CHIP C 0.010UF K		C820,821			CK73HB1A104K	CHIP C 0.10UF K	
C522			CK73GB1A105K	CHIP C 1.0UF K		C822			CK73HB1E103K	CHIP C 0.010UF K	
C524			CK73FB0J106K	CHIP C 10UF K		C823			CK73FB0J106K	CHIP C 10UF K	
C525			CK73HB1A104K	CHIP C 0.10UF K		C824			CK73HB1A104K	CHIP C 0.10UF K	
C526			CK73GB1A105K	CHIP C 1.0UF K		C825			CC73HCH1H150J	CHIP C 15PF J	
C528			CK73HB1A104K	CHIP C 0.10UF K		C826			CK73HB1E103K	CHIP C 0.010UF K	
C529			CK73FB0J106K	CHIP C 10UF K		C827			CK73HB1A104K	CHIP C 0.10UF K	
C530			CK73HB1A104K	CHIP C 0.10UF K		C828			CC73HCH1H150J	CHIP C 15PF J	
C531,532			CK73FB0J106K	CHIP C 10UF K		C829-838			CK73HB1A104K	CHIP C 0.10UF K	
C534			CK73FB0J106K	CHIP C 10UF K		C839,840			CC73HCH1H100D	CHIP C 10PF D	
C535			CK73HB1A104K	CHIP C 0.10UF K		C841-860			CK73HB1A104K	CHIP C 0.10UF K	
C536			CK73FB0J106K	CHIP C 10UF K	E2Q1M1	C870			CK73FB0J106K	CHIP C 10UF K	
C536			CK73FB0J106K	CHIP C 10UF K	M2X1	C900,901			CK73HB1A104K	CHIP C 0.10UF K	
C537			CK73HB0J105K	CHIP C 1.0UF K		C920-935			CK73HB1A104K	CHIP C 0.10UF K	
C538			CK73FB0J106K	CHIP C 10UF K	E2Q1M1	C936,937			CK73FB0J106K	CHIP C 10UF K	
C538			CK73FB0J106K	CHIP C 10UF K	M2X1	C938-941			CK73HB1A104K	CHIP C 0.10UF K	
C540			CK73HB1A104K	CHIP C 0.10UF K		C942			CK73FB0J106K	CHIP C 10UF K	
C541			CK73HB0J105K	CHIP C 1.0UF K		C943			CK73GB0J225K	CHIP C 2.2UF K	
C542			CK73HB1A104K	CHIP C 0.10UF K		C944-950			CK73HB1A104K	CHIP C 0.10UF K	
C543			CK73HB0J105K	CHIP C 1.0UF K		C951			CK73HB0J105K	CHIP C 1.0UF K	
C544			CK73HB1A104K	CHIP C 0.10UF K		C952			CK73HB1A104K	CHIP C 0.10UF K	
C550,551			CK73HB1E103K	CHIP C 0.010UF K		C953			CK73FB0J106K	CHIP C 10UF K	
C580-582			CK73FB0J226M	CHIP C 22UF M		C954			CE32BQ0J331M	CHIP EL 330UF 6.3WV	
C600,601			CC73HCH1H100D	CHIP C 10PF D		C955			CK73HB1A104K	CHIP C 0.10UF K	
C602-604			CK73HB1A104K	CHIP C 0.10UF K		C956			CK73FB0J106K	CHIP C 10UF K	
C605			CK73FB0J106K	CHIP C 10UF K		C957-965			CK73HB1A104K	CHIP C 0.10UF K	
C606			CK73HB1H102K	CHIP C 1000PF K		C966,967			CK73HB0J105K	CHIP C 1.0UF K	
C607			CC73HCH1H101J	CHIP C 100PF J		C968			CK73HB1A104K	CHIP C 0.10UF K	
C608			CK73HB1A104K	CHIP C 0.10UF K							
C609			CK73GB0J475K	CHIP C 4.7UF K		CN1			E41-2961-05	PIN ASSY	

E1: DNX9240BT E2: DDX8024BT (Europe) Q1: DDX8054BT (Russian)  
K: DNX9140 K1: DDX814 (North America)  
X1: DDX8034BT (Australia) R1: DDX8034BT (Latin America)  
M1: DDX8034BT M2: DDX8034BTM (Other Areas)

△Indicates safety critical components.

# PARTS LIST

## VIDEO CONTROL UNIT (X15-129x-xx)

Ref. No.	Add	New	Parts No.	Description	Destination	Ref. No.	Add	New	Parts No.	Description	Destination
CN2 ,3			E41-2979-05	FLAT CABLE CONNECTOR		CP705			RK74HB1J103J	CHIP-COM 10K	J 1/16W
CN4			E41-2359-05	PIN ASSY		CP706-709			RK74HB1J101J	CHIP-COM 100	J 1/16W
CN5			E41-2248-05	PIN ASSY		CP800-804			RK74HB1J220J	CHIP-COM 22	J 1/16W
CN7			E41-1476-05	PIN ASSY		CP920-927			RK74HB1J220J	CHIP-COM 22	J 1/16W
CN8			E41-1486-05	PIN ASSY		CP929-933			RK74HB1J220J	CHIP-COM 22	J 1/16W
CN301			E41-2985-05	FLAT CABLE CONNECTOR		CP934,935			RK74HB1J331J	CHIP-COM 330	J 1/16W
CN401			E41-3061-05	PIN ASSY	KE1	CP936-939			RK74HB1J220J	CHIP-COM 22	J 1/16W
CN402			E41-3064-05	SOCKET FOR PIN ASSY		CP940-944			RK74HB1J331J	CHIP-COM 330	J 1/16W
CN403			E41-3063-05	SOCKET FOR PIN ASSY		CP945-948			RK74HB1J220J	CHIP-COM 22	J 1/16W
CN404			E41-2735-05	PIN ASSY		CP949-955			RK74HB1J331J	CHIP-COM 330	J 1/16W
CN600			E41-2948-05	PIN ASSY	E2Q1M1	R1			RK73GH2A104D	CHIP R 100K	D 1/10W
CN600			E41-2948-05	PIN ASSY	M2X1	R2			RK73GH2A513D	CHIP R 51K	D 1/10W
CN700			E41-2979-05	FLAT CABLE CONNECTOR		R3			RK73GH2A333D	CHIP R 33K	D 1/10W
J401			E56-0809-15	CYLINDRICAL RECEPTACLE	K1R1E2	R4 ,5			RK73GB2A224J	CHIP R 220K	J 1/10W
J401			E56-0809-15	CYLINDRICAL RECEPTACLE	Q1M1M2	R6			RK73GH2A113D	CHIP R 11K	D 1/10W
J401			E56-0809-15	CYLINDRICAL RECEPTACLE	X1	R7			RK73GH2A104D	CHIP R 100K	D 1/10W
J402			E11-0625-05	PHONE JACK		R8			RK73GH2A683D	CHIP R 68K	D 1/10W
J500		*	E11-0665-05	PHONE JACK (GREEN)	KE1	R9 ,10			RK73GH2A334D	CHIP R 330K	D 1/10W
W600	2D	*	E30-6896-05	CORD WITH PLUG (USB CABLE X2)		R11 ,12			RK73GB2A224J	CHIP R 220K	J 1/10W
365	2D	*	F09-2923-05+	FAN		R13			RK73GB2A000J	CHIP R 0.0	J 1/10W
F301			F53-0369-05	FUSE 1.6A		R14			RK73GB2A224J	CHIP R 220K	J 1/10W
F302			F53-0371-05	FUSE 2.5A		R17			RK73GB2A000J	CHIP R 0.0	J 1/10W
L1			L33-2358-05	CHOKE COIL		R21 ,22			RK73GB2A000J	CHIP R 0.0	J 1/10W
L2			L92-0373-05	CHIP FERRITE		R26 ,27			RK73GB2A000J	CHIP R 0.0	J 1/10W
L103			L33-2457-05	SMALL FIXED INDUCTOR		R31			RK73GB2A000J	CHIP R 0.0	J 1/10W
L104			L33-2519-05	CHOKE COIL		R32			RK73GB2A473J	CHIP R 47K	J 1/10W
L107			L33-2519-05	CHOKE COIL		R33			RK73GB2A152J	CHIP R 1.5K	J 1/10W
L108			L33-2467-05	SMALL FIXED INDUCTOR		R34 ,35			RK73GB2A000J	CHIP R 0.0	J 1/10W
L201,202			L92-0332-05	CHIP FERRITE		R41			RK73GB2A823J	CHIP R 82K	J 1/10W
L301,302			L33-2457-05	SMALL FIXED INDUCTOR		R42			RK73GB2A103J	CHIP R 10K	J 1/10W
L401			L92-0373-05	CHIP FERRITE		R43			RK73GB2A224J	CHIP R 220K	J 1/10W
L500			L41-1005-33	SMALL FIXED INDUCTOR (10U)		R44			RK73GB2A333J	CHIP R 33K	J 1/10W
L503			L92-0373-05	CHIP FERRITE		R45			RK73GB2A224J	CHIP R 220K	J 1/10W
L600			L92-0319-05	CHIP FERRITE		R46			RK73GB2A473J	CHIP R 47K	J 1/10W
L604			L92-0641-05	FERRITE CORE		R52			RK73HB1J000J	CHIP R 0.0	J 1/16W
L606,607			L92-0641-05	FERRITE CORE		R55 ,56			RK73HB1J101J	CHIP R 100	J 1/16W
L609			L92-0641-05	FERRITE CORE		R57			RK73HB1J000J	CHIP R 0.0	J 1/16W
L610			L92-0319-05	CHIP FERRITE		R59			RK73HB1J101J	CHIP R 100	J 1/16W
L620,621			L92-0651-05	CHIP FERRITE		R61 -63			RK73HB1J101J	CHIP R 100	J 1/16W
L700			L92-0373-05	CHIP FERRITE		R64 -66			RK73HB1J000J	CHIP R 0.0	J 1/16W
L701			L33-2457-05	SMALL FIXED INDUCTOR		R64 -66			RK73HB1J000J	CHIP R 0.0	J 1/16W
L800-809			L92-0373-05	CHIP FERRITE		R65 ,66			RK73HB1J000J	CHIP R 0.0	J 1/16W
L920-922			L92-0373-05	CHIP FERRITE		R67 ,68			RK73HB1J103J	CHIP R 10K	J 1/16W
X201			L77-2975-05	CRYSTAL RESONATOR (11.0592MHZ)		R69			RK73HB1J100J	CHIP R 10	J 1/16W
X202			L77-2921-15	CRYSTAL RESONATOR (32.768KHZ)		R71			RK73HB1J000J	CHIP R 0.0	J 1/16W
X800			L77-2951-05	CRYSTAL RESONATOR (12.00MHZ)		R74 ,75			RK73HB1J000J	CHIP R 0.0	J 1/16W
X801			L77-2886-05	CRYSTAL RESONATOR (27.00MHZ)		R81 -86			RK73GB2A101J	CHIP R 100	J 1/10W
X803		*	L77-3813-05	CRYSTAL RESONATOR (3225 24MHZ)		R91 -93			RK73GB2A101J	CHIP R 100	J 1/10W
Q	2D		N09-6498-05	MACHINE SCREW (M3.0X11)		R95			RK73GB2A471J	CHIP R 470	J 1/10W
CP201-205			RK74HB1J101J	CHIP-COM 100		R101,102			RK73GB2A100J	CHIP R 10	J 1/10W
CP701			RK74HB1J101J	CHIP-COM 100		R103,104			RK73GB2A000J	CHIP R 0.0	J 1/10W
CP702			RK74HB1J103J	CHIP-COM 10K		R105,106			RK73EB2E100J	CHIP R 10	J 1/4W
CP704			RK74HB1J101J	CHIP-COM 100		R107			R92-5255-05	METAL GR 0.1	1/3W
						R108			R92-5244-05	METAL GR 0.039	1/3W
						R109			R92-5255-05	METAL GR 0.1	1/3W

E1: DNX9240BT E2: DDX8024BT (Europe) Q1: DDX8054BT (Russian)  
K: DNX9140 K1: DDX814 (North America)  
X1: DDX8034BT (Australia) R1: DDX8034BT (Latin America)  
M1: DDX8034BT M2: DDX8034BTM (Other Areas)

△ Indicates safety critical components.

# PARTS LIST

## VIDEO CONTROL UNIT (X15-129x-xx)

Ref. No.	A d d	N e w	Parts No.	Description	Desti- nation	Ref. No.	A d d	N e w	Parts No.	Description	Desti- nation
R110			R92-5244-05	METAL GR 0.039 1/3W		R221			RK73HB1J473J	CHIP R 47K J 1/16W	
R111,112			RK73GB2A000J	CHIP R 0.0 J 1/10W		R222			RK73HB1J000J	CHIP R 0.0 J 1/16W	
R113			RK73GB2A333J	CHIP R 33K J 1/10W		R223			RK73GB2A101J	CHIP R 100 J 1/10W	
R114			RK73GB2A683J	CHIP R 68K J 1/10W		R224			RK73HB1J561J	CHIP R 560 J 1/16W	
R115			RK73GH2A561D	CHIP R 560 D 1/10W		R226			RK73HB1J473J	CHIP R 47K J 1/16W	
R116			RK73GB2A000J	CHIP R 0.0 J 1/10W		R227,228			RK73HB1J101J	CHIP R 100 J 1/16W	
R117			RK73GH2A561D	CHIP R 560 D 1/10W		R229			RK73HB1J104J	CHIP R 100K J 1/16W	
R118			RK73GB2A000J	CHIP R 0.0 J 1/10W		R230-232			RK73HB1J101J	CHIP R 100 J 1/16W	
R119,120			RK73GH2A561D	CHIP R 560 D 1/10W		R233			RK73HB1J104J	CHIP R 100K J 1/16W	
R121,122			RK73GH2A333D	CHIP R 33K D 1/10W		R234			RK73HB1J101J	CHIP R 100 J 1/16W	
R123			RK73GH2A622D	CHIP R 6.2K D 1/10W		R235			RK73HB1J104J	CHIP R 100K J 1/16W	
R124			RK73GH2A562D	CHIP R 5.6K D 1/10W		R236			RK73HB1J000J	CHIP R 0.0 J 1/16W	
R125			RK73GB2A000J	CHIP R 0.0 J 1/10W		R237			RK73HB1J101J	CHIP R 100 J 1/16W	
R126			RK73GH2A681D	CHIP R 680 D 1/10W		R239-243			RK73HB1J101J	CHIP R 100 J 1/16W	
R127			RK73GH2A912D	CHIP R 9.1K D 1/10W		R244			RK73HB1J472J	CHIP R 4.7K J 1/16W	
R128			RK73GB2A103J	CHIP R 10K J 1/10W		R245			RK73HB1J101J	CHIP R 100 J 1/16W	
R129			RK73FB2B2R2J	CHIP R 2.2 J 1/8W		R246			RK73HB1J472J	CHIP R 4.7K J 1/16W	
R130			RK73GB2A000J	CHIP R 0.0 J 1/10W		R247-249			RK73HB1J104J	CHIP R 100K J 1/16W	
R135			RK73HB1J104J	CHIP R 100K J 1/16W		R250			RK73HB1J103J	CHIP R 10K J 1/16W	
R136			RK73GB2A100J	CHIP R 10 J 1/10W		R251			RK73HB1J104J	CHIP R 100K J 1/16W	K1R1
R141,142			RK73GB2A100J	CHIP R 10 J 1/10W		R252			RK73HB1J104J	CHIP R 100K J 1/16W	KE1E2
R143,144			RK73GB2A2R2J	CHIP R 2.2 J 1/10W		R252			RK73HB1J104J	CHIP R 100K J 1/16W	Q1M1M2
R145,146			RK73EB2E100J	CHIP R 10 J 1/4W		R252			RK73HB1J104J	CHIP R 100K J 1/16W	X1
R147-150			R92-5244-05	METAL GR 0.039 1/3W		R253			RK73HB1J102J	CHIP R 1.0K J 1/16W	
R151-154			RK73GB2A100J	CHIP R 10 J 1/10W		R255,256			RK73HB1J101J	CHIP R 100 J 1/16W	
R155,156			RK73GH2A333D	CHIP R 33K D 1/10W		R257			RK73HB1J104J	CHIP R 100K J 1/16W	
R157			RK73GH2A562D	CHIP R 5.6K D 1/10W		R260			RK73HB1J103J	CHIP R 10K J 1/16W	
R158			RK73GH2A103D	CHIP R 10K D 1/10W		R261			RK73HB1J104J	CHIP R 100K J 1/16W	
R159			RK73GH2A511D	CHIP R 510 D 1/10W		R263			RK73HB1J101J	CHIP R 100 J 1/16W	
R160			RK73GH2A561D	CHIP R 560 D 1/10W		R264			RK73HB1J104J	CHIP R 100K J 1/16W	
R161,162			RK73GB2A000J	CHIP R 0.0 J 1/10W		R265			RK73HB1J101J	CHIP R 100 J 1/16W	
R163			RK73GB2A203J	CHIP R 20K J 1/10W		R267			RK73HB1J104J	CHIP R 100K J 1/16W	
R164			RK73GB2A153J	CHIP R 15K J 1/10W		R271,272			RK73HB1J104J	CHIP R 100K J 1/16W	K1R1E2
R165			RK73GB2A000J	CHIP R 0.0 J 1/10W		R271,272			RK73HB1J104J	CHIP R 100K J 1/16W	Q1M1M2
R166			RK73FB2B2R2J	CHIP R 2.2 J 1/8W		R271,272			RK73HB1J104J	CHIP R 100K J 1/16W	X1
R167			RK73GB2A103J	CHIP R 10K J 1/10W		R272			RK73HB1J104J	CHIP R 100K J 1/16W	KE1
R168			RK73GB2A000J	CHIP R 0.0 J 1/10W		R274			RK73HB1J101J	CHIP R 100 J 1/16W	
R169,170			RK73HB1J000J	CHIP R 0.0 J 1/16W		R275			RK73HB1J104J	CHIP R 100K J 1/16W	KK1R1
R181-188			RK73GB2A000J	CHIP R 0.0 J 1/10W		R275,276			RK73HB1J104J	CHIP R 100K J 1/16W	E1E2Q1
R201			RK73HB1J101J	CHIP R 100 J 1/16W		R275,276			RK73HB1J104J	CHIP R 100K J 1/16W	M1M2X1
R202			RK73HB1J222J	CHIP R 2.2K J 1/16W		R277			RK73HB1J104J	CHIP R 100K J 1/16W	KK1R1
R203			RK73HB1J101J	CHIP R 100 J 1/16W		R279			RK73HB1J104J	CHIP R 100K J 1/16W	
R204			RK73HB1J104J	CHIP R 100K J 1/16W		R280			RK73HB1J101J	CHIP R 100 J 1/16W	
R205			RK73HB1J101J	CHIP R 100 J 1/16W		R281			RK73HB1J104J	CHIP R 100K J 1/16W	
R206			RK73HB1J104J	CHIP R 100K J 1/16W		R282			RK73HB1J101J	CHIP R 100 J 1/16W	
R207,208			RK73HB1J101J	CHIP R 100 J 1/16W		R285			RK73HB1J101J	CHIP R 100 J 1/16W	
R210			RK73HB1J101J	CHIP R 100 J 1/16W		R286			RK73HB1J104J	CHIP R 100K J 1/16W	
R211			RK73HB1J472J	CHIP R 4.7K J 1/16W		R288			RK73HB1J104J	CHIP R 100K J 1/16W	
R212,213			RK73HB1J101J	CHIP R 100 J 1/16W		R289			RK73HB1J101J	CHIP R 100 J 1/16W	
R215			RK73HB1J101J	CHIP R 100 J 1/16W		R292			RK73HB1J101J	CHIP R 100 J 1/16W	
R216			RK73HB1J104J	CHIP R 100K J 1/16W		R293			RK73HB1J104J	CHIP R 100K J 1/16W	
R217			RK73HB1J101J	CHIP R 100 J 1/16W		R294			RK73HB1J101J	CHIP R 100 J 1/16W	
R218			RK73HB1J104J	CHIP R 100K J 1/16W		R295			RK73HB1J104J	CHIP R 100K J 1/16W	
R219			RK73HB1J101J	CHIP R 100 J 1/16W		R296			RK73HB1J101J	CHIP R 100 J 1/16W	
R220			RK73HB1J104J	CHIP R 100K J 1/16W		R297			RK73HB1J104J	CHIP R 100K J 1/16W	

E1: DNX9240BT E2: DDX8024BT (Europe) Q1: DDX8054BT (Russian)  
K: DNX9140 K1: DDX814 (North America)  
X1: DDX8034BT (Australia) R1: DDX8034BT (Latin America)  
M1: DDX8034BT M2: DDX8034BTM (Other Areas)

△Indicates safety critical components.



# PARTS LIST

## VIDEO CONTROL UNIT (X15-129x-xx)

Ref. No.	Add	New	Parts No.	Description	Destination	Ref. No.	Add	New	Parts No.	Description	Destination
R298			RK73HB1J101J	CHIP R 100 J 1/16W		R388			RK73HB1J101J	CHIP R 100 J 1/16W	
R299			RK73GB2A103J	CHIP R 10K J 1/10W	E1R1E2	R389			RK73GB2A000J	CHIP R 0.0 J 1/10W	
R299			RK73GB2A103J	CHIP R 10K J 1/10W	Q1M1M2	R390-394			RK73HB1J000J	CHIP R 0.0 J 1/16W	
R299			RK73GB2A103J	CHIP R 10K J 1/10W	X1	R395,396			RK73HB1J104J	CHIP R 100K J 1/16W	
R300			RK73GB2A103J	CHIP R 10K J 1/10W	KK1	R401,402			RK73HB1J100J	CHIP R 10 J 1/16W	KE1
R300			RK73GB2A153J	CHIP R 15K J 1/10W	M1M2	R403			RK73HB1J101J	CHIP R 100 J 1/16W	KE1
R300			RK73GB2A242J	CHIP R 2.4K J 1/10W	E1E2	R404			RK73HB1J000J	CHIP R 0.0 J 1/16W	KE1
R300			RK73GB2A393J	CHIP R 39K J 1/10W	X1	R405			RK73HB1J102J	CHIP R 1.0K J 1/16W	KE1
R300			RK73GB2A682J	CHIP R 6.8K J 1/10W	Q1	R406			RK73HB1J511J	CHIP R 510 J 1/16W	KE1
R301			RK73HB1J103J	CHIP R 10K J 1/16W	KE1	R407-409			RK73HB1J000J	CHIP R 0.0 J 1/16W	KE1
R302			RK73HB1J103J	CHIP R 10K J 1/16W	K1R1E2	R410,411			RK73HB1J100J	CHIP R 10 J 1/16W	KE1
R302			RK73HB1J103J	CHIP R 10K J 1/16W	Q1M1M2	R412			RK73HB1J4R7J	CHIP R 4.7 J 1/16W	KE1
R302			RK73HB1J103J	CHIP R 10K J 1/16W	X1	R413,414			RK73FB2B100J	CHIP R 10 J 1/8W	K1R1E2
R303			RK73HB1J123J	CHIP R 12K J 1/16W		R413,414			RK73FB2B100J	CHIP R 10 J 1/8W	Q1M1M2
R306			RK73HB1J223J	CHIP R 22K J 1/16W		R413,414			RK73FB2B100J	CHIP R 10 J 1/8W	X1
R307			RK73HB1J101J	CHIP R 100 J 1/16W		R415			RK73FB2B4R7J	CHIP R 4.7 J 1/8W	K1R1E2
R308			RK73HB1J104J	CHIP R 100K J 1/16W		R415			RK73FB2B4R7J	CHIP R 4.7 J 1/8W	Q1M1M2
R309,310			RK73HB1J101J	CHIP R 100 J 1/16W		R415			RK73FB2B4R7J	CHIP R 4.7 J 1/8W	X1
R313			RK73HB1J102J	CHIP R 1.0K J 1/16W		R416-418			RK73GB2A100J	CHIP R 10 J 1/10W	
R314			RK73HB1J222J	CHIP R 2.2K J 1/16W		R419,420			RK73FB2B102J	CHIP R 1.0K J 1/8W	K1R1E2
R316			RK73HB1J222J	CHIP R 2.2K J 1/16W		R419,420			RK73FB2B102J	CHIP R 1.0K J 1/8W	Q1M1M2
R318,319			RK73HB1J101J	CHIP R 100 J 1/16W		R419,420			RK73FB2B102J	CHIP R 1.0K J 1/8W	X1
R321			RK73HB1J101J	CHIP R 100 J 1/16W		R421-424			RK73GB2A750J	CHIP R 75 J 1/10W	K1R1E2
R322			RK73HB1J222J	CHIP R 2.2K J 1/16W		R421-424			RK73GB2A750J	CHIP R 75 J 1/10W	Q1M1M2
R324			RK73HB1J104J	CHIP R 100K J 1/16W		R421-424			RK73GB2A750J	CHIP R 75 J 1/10W	X1
R325			RK73HB1J101J	CHIP R 100 J 1/16W		R425-428			RK73FB2B101J	CHIP R 100 J 1/8W	K1R1E2
R326			RK73HB1J103J	CHIP R 10K J 1/16W		R425-428			RK73FB2B101J	CHIP R 100 J 1/8W	Q1M1M2
R327			RK73GB2A000J	CHIP R 0.0 J 1/10W		R425-428			RK73FB2B101J	CHIP R 100 J 1/8W	X1
R328			RK73GH2A101D	CHIP R 100 D 1/10W		R429-432			RK73GB2A100J	CHIP R 10 J 1/10W	K1R1E2
R329			RK73HB1J104J	CHIP R 100K J 1/16W		R429-432			RK73GB2A100J	CHIP R 10 J 1/10W	Q1M1M2
R331,332			RK73HB1J000J	CHIP R 0.0 J 1/16W		R429-432			RK73GB2A100J	CHIP R 10 J 1/10W	X1
R333,334			RK73HB1J101J	CHIP R 100 J 1/16W		R433-435			RK73GH2A750D	CHIP R 75 D 1/10W	KE1
R337,338			RK73HB1J103J	CHIP R 10K J 1/16W		R436			RK73FB2B102J	CHIP R 1.0K J 1/8W	K1R1E2
R339,340			RK73HB1J473J	CHIP R 47K J 1/16W		R436			RK73FB2B102J	CHIP R 1.0K J 1/8W	Q1M1M2
R341,342			RK73HB1J103J	CHIP R 10K J 1/16W		R436			RK73FB2B102J	CHIP R 1.0K J 1/8W	X1
R346			RK73HB1J472J	CHIP R 4.7K J 1/16W		R437			RK73GB2A750J	CHIP R 75 J 1/10W	KE1
R348			RK73GB2A000J	CHIP R 0.0 J 1/10W		R441,442			RK73HB1J000J	CHIP R 0.0 J 1/16W	
R349			RK73GH2A101D	CHIP R 100 D 1/10W		R443			RK73HB1J104J	CHIP R 100K J 1/16W	
R350			RK73HB1J101J	CHIP R 100 J 1/16W		R444			RK73HB1J000J	CHIP R 0.0 J 1/16W	KK1R1
R351			RK73GB2A000J	CHIP R 0.0 J 1/10W		R445			RK73HB1J101J	CHIP R 100 J 1/16W	
R352			RK73HB1J000J	CHIP R 0.0 J 1/16W		R448			RK73HB1J000J	CHIP R 0.0 J 1/16W	
R353			RK73HB1J473J	CHIP R 47K J 1/16W		R451,452			RK73FB2B101J	CHIP R 100 J 1/8W	
R355			RK73HB1J103J	CHIP R 10K J 1/16W	KK1R1	R453,454			RK73GB2A101J	CHIP R 100 J 1/10W	
R356			RK73HB1J000J	CHIP R 0.0 J 1/16W	K1R1E2	R455-458			RK73GB2A223J	CHIP R 22K J 1/10W	
R356			RK73HB1J000J	CHIP R 0.0 J 1/16W	Q1M1M2	R459-462			RK73GB2A104J	CHIP R 100K J 1/10W	
R356			RK73HB1J000J	CHIP R 0.0 J 1/16W	X1	R463			RK73HB1J102J	CHIP R 1.0K J 1/16W	
R357			RK73HB1J104J	CHIP R 100K J 1/16W	KE1	R464			RK73HB1J100J	CHIP R 10 J 1/16W	
R361-364			RK73HB1J101J	CHIP R 100 J 1/16W		R467,468			RK73HB1J473J	CHIP R 47K J 1/16W	
R366-374			RK73HB1J101J	CHIP R 100 J 1/16W		R471			RK73HB1J560J	CHIP R 56 J 1/16W	KE1
R375,376			RK73HB1J000J	CHIP R 0.0 J 1/16W		R472			RK73HB1J104J	CHIP R 100K J 1/16W	KE1
R377-379			RK73HB1J101J	CHIP R 100 J 1/16W		R473,474			RK73HB1J560J	CHIP R 56 J 1/16W	KE1
R381			RK73HB1J104J	CHIP R 100K J 1/16W		R475,476			RK73HB1J220J	CHIP R 22 J 1/16W	KE1
R382			RK73HB1J102J	CHIP R 1.0K J 1/16W		R477			RK73HB1J472J	CHIP R 4.7K J 1/16W	KE1
R383-385			RK73HB1J104J	CHIP R 100K J 1/16W		R478			RK73HB1J220J	CHIP R 22 J 1/16W	KE1
R386			RK73FB2B000J	CHIP R 0.0 J 1/8W		R479			RK73HB1J472J	CHIP R 4.7K J 1/16W	KE1

E1: DNX9240BT E2: DDX8024BT (Europe) Q1: DDX8054BT (Russian)  
 K: DNX9140 K1: DDX814 (North America)  
 X1: DDX8034BT (Australia) R1: DDX8034BT (Latin America)  
 M1: DDX8034BT M2: DDX8034BTM (Other Areas)

△ Indicates safety critical components.

# PARTS LIST

## VIDEO CONTROL UNIT (X15-129x-xx)

Ref. No.	Ad	New	Parts No.	Description	Destination	Ref. No.	Ad	New	Parts No.	Description	Destination
R480			RK73HB1J220J	CHIP R 22 J 1/16W	KE1	R627			RK73HB1J331J	CHIP R 330 J 1/16W	
R481			RK73HB1J472J	CHIP R 4.7K J 1/16W	KE1	R629			RK73HB1J103J	CHIP R 10K J 1/16W	
R483			RK73HB1J000J	CHIP R 0.0 J 1/16W	KE1	R630,631			RK73HB1J153J	CHIP R 15K J 1/16W	
R484			RK73GB2A000J	CHIP R 0.0 J 1/10W	KE1	R634			RK73EB2E4R7J	CHIP R 4.7 J 1/4W	
R486			RK73GB2A000J	CHIP R 0.0 J 1/10W	KE1	R637			RK73EB2E4R7J	CHIP R 4.7 J 1/4W	
R490-492			RK73HB1J000J	CHIP R 0.0 J 1/16W	KE1	R640,641			RK73HB1J153J	CHIP R 15K J 1/16W	
R494			RK73HB1J104J	CHIP R 100K J 1/16W	KE1	R642			RK73HB1J472J	CHIP R 4.7K J 1/16W	
R500-502			RK73HB1J101J	CHIP R 100 J 1/16W		R643			RK73EB2E4R7J	CHIP R 4.7 J 1/4W	
R503			RK73GB2A000J	CHIP R 0.0 J 1/10W		R644			RK73HB1J000J	CHIP R 0.0 J 1/16W	
R504,505			RK73HB1J153J	CHIP R 15K J 1/16W		R645			RK73HB1J220J	CHIP R 22 J 1/16W	
R506			RK73GB2A000J	CHIP R 0.0 J 1/10W		R646,647			RK73HB1J000J	CHIP R 0.0 J 1/16W	E2Q1M1
R507,508			RK73HB1J102J	CHIP R 1.0K J 1/16W		R646,647			RK73HB1J000J	CHIP R 0.0 J 1/16W	M2X1
R511,512			RK73HB1J153J	CHIP R 15K J 1/16W		R648			RK73HB1J000J	CHIP R 0.0 J 1/16W	KE1
R513			RK73GB2A000J	CHIP R 0.0 J 1/10W		R649			RK73EB2E4R7J	CHIP R 4.7 J 1/4W	
R514			RK73GH2A181D	CHIP R 180 D 1/10W		R650			RK73HB1J000J	CHIP R 0.0 J 1/16W	
R516			RK73GB2A100J	CHIP R 10 J 1/10W		R652			RK73HB1J102J	CHIP R 1.0K J 1/16W	
R517			RK73GH2A751D	CHIP R 750 D 1/10W		R655			RK73HB1J000J	CHIP R 0.0 J 1/16W	KE1
R518-520			RK73GB2A000J	CHIP R 0.0 J 1/10W		R656			RK73HB1J103J	CHIP R 10K J 1/16W	
R524,525			RK73HB1J101J	CHIP R 100 J 1/16W		R671			RK73HB1J220J	CHIP R 22 J 1/16W	
R526			RK73GB2A000J	CHIP R 0.0 J 1/10W		R673			RK73HB1J102J	CHIP R 1.0K J 1/16W	
R527			RK73EB2E151J	CHIP R 150 J 1/4W	KE1	R674			RK73HB1J103J	CHIP R 10K J 1/16W	
R529			RK73GH2A162D	CHIP R 1.6K D 1/10W		R675			RK73HB1J220J	CHIP R 22 J 1/16W	
R530			RK73GH2A102D	CHIP R 1.0K D 1/10W		R677			RK73HB1J220J	CHIP R 22 J 1/16W	
R534			RK73GB2A2R2J	CHIP R 2.2 J 1/10W		R700,701			RK73HB1J000J	CHIP R 0.0 J 1/16W	
R535			RK73GB2A000J	CHIP R 0.0 J 1/10W		R703			RK73HB1J103J	CHIP R 10K J 1/16W	
R536			RK73GH2A202D	CHIP R 2.0K D 1/10W		R704,705			RK73HB1J000J	CHIP R 0.0 J 1/16W	
R537			RK73GH2A103D	CHIP R 10K D 1/10W		R707,708			RK73HB1J000J	CHIP R 0.0 J 1/16W	
R538			RK73HB1J473J	CHIP R 47K J 1/16W	KE1	R711			RK73HB1J000J	CHIP R 0.0 J 1/16W	
R539			RK73GB2A000J	CHIP R 0.0 J 1/10W	E2Q1M1	R713			RK73HB1J000J	CHIP R 0.0 J 1/16W	
R539			RK73GB2A000J	CHIP R 0.0 J 1/10W	M2X1	R714			RK73HB1J103J	CHIP R 10K J 1/16W	
R541			RK73GB2A000J	CHIP R 0.0 J 1/10W	E2Q1M1	R715-718			RK73HB1J000J	CHIP R 0.0 J 1/16W	
R541			RK73GB2A000J	CHIP R 0.0 J 1/10W	M2X1	R720,721			RK73HB1J103J	CHIP R 10K J 1/16W	
R542			RK73GH2A242D	CHIP R 2.4K D 1/10W	E2Q1M1	R760			RK73HB1J000J	CHIP R 0.0 J 1/16W	
R542			RK73GH2A242D	CHIP R 2.4K D 1/10W	M2X1	R801,802			RK73HB1J000J	CHIP R 0.0 J 1/16W	
R543			RK73GH2A562D	CHIP R 5.6K D 1/10W	E2Q1M1	R803			RK73HB1J472J	CHIP R 4.7K J 1/16W	
R543			RK73GH2A562D	CHIP R 5.6K D 1/10W	M2X1	R804			RK73HB1J103J	CHIP R 10K J 1/16W	
R544			RK73GB2A000J	CHIP R 0.0 J 1/10W		R805			RK73HB1J101J	CHIP R 100 J 1/16W	
R546-551			RK73HB1J204J	CHIP R 200K J 1/16W		R806			RK73HB1J000J	CHIP R 0.0 J 1/16W	
R554,555			RK73HB1J000J	CHIP R 0.0 J 1/16W		R807			RK73HB1J101J	CHIP R 100 J 1/16W	
R580			RK73HB1J271J	CHIP R 270 J 1/16W		R808			RK73HB1J000J	CHIP R 0.0 J 1/16W	
R581			RK73HB1J750J	CHIP R 75 J 1/16W		R809			RK73GB2A000J	CHIP R 0.0 J 1/10W	
R600-603			RK73HB1J104J	CHIP R 100K J 1/16W		R810			RK73HB1J101J	CHIP R 100 J 1/16W	
R604,605			RK73HB1J000J	CHIP R 0.0 J 1/16W		R812-815			RK73HB1J101J	CHIP R 100 J 1/16W	
R606,607			RK73HB1J103J	CHIP R 10K J 1/16W		R818			RK73HB1J103J	CHIP R 10K J 1/16W	
R608,609			RK73HB1J473J	CHIP R 47K J 1/16W		R821-823			RK73HB1J103J	CHIP R 10K J 1/16W	
R612			RK73HB1J000J	CHIP R 0.0 J 1/16W		R825			RK73HB1J332J	CHIP R 3.3K J 1/16W	
R613			RK73HB1J223J	CHIP R 22K J 1/16W		R826			RK73HB1J220J	CHIP R 22 J 1/16W	
R614			RK73HB1J102J	CHIP R 1.0K J 1/16W		R827			RK73HB1J103J	CHIP R 10K J 1/16W	
R616			RK73HB1J102J	CHIP R 1.0K J 1/16W		R828			RK73HB1J102J	CHIP R 1.0K J 1/16W	
R617			RK73HB1J000J	CHIP R 0.0 J 1/16W		R829			RK73HB1J332J	CHIP R 3.3K J 1/16W	
R618			RK73HB1J472J	CHIP R 4.7K J 1/16W		R832,833			RK73HB1J000J	CHIP R 0.0 J 1/16W	
R619			RK73HB1J220J	CHIP R 22 J 1/16W		R834			RK73HB1J101J	CHIP R 100 J 1/16W	
R623			RK73HB1J220J	CHIP R 22 J 1/16W		R836,837			RK73HB1J101J	CHIP R 100 J 1/16W	
R625			RK73HB1J473J	CHIP R 47K J 1/16W		R838			RK73HB1J102J	CHIP R 1.0K J 1/16W	
R626			RK73HB1J102J	CHIP R 1.0K J 1/16W		R839			RK73HB1J101J	CHIP R 100 J 1/16W	

E1: DNX9240BT E2: DDX8024BT (Europe) Q1: DDX8054BT (Russian)  
K: DNX9140 K1: DDX814 (North America)  
X1: DDX8034BT (Australia) R1: DDX8034BT (Latin America)  
M1: DDX8034BT M2: DDX8034BTM (Other Areas)

△Indicates safety critical components.



# PARTS LIST

The IC101,102 and IC801 in the Video control unit (X15-129x-xx) are not replaceable components. When these ICs are defective, replace the whole Video control unit (X15-129x-xx).

## VIDEO CONTROL UNIT (X15-129x-xx)

Ref. No.	Add	New	Parts No.	Description	Destination
R840			RK73HB1J220J	CHIP R 22 J 1/16W	
R841			RK73HB1J103J	CHIP R 10K J 1/16W	
R844			RK73HB1J103J	CHIP R 10K J 1/16W	
R846			RK73HB1J220J	CHIP R 22 J 1/16W	KK1R1
R848			RK73HB1J000J	CHIP R 0.0 J 1/16W	KK1R1
R849			RK73HB1J220J	CHIP R 22 J 1/16W	
R850			RK73FB2B000J	CHIP R 0.0 J 1/8W	
R851			RK73HB1J220J	CHIP R 22 J 1/16W	E1E2Q1
R851			RK73HB1J220J	CHIP R 22 J 1/16W	M1M2X1
R851,852			RK73HB1J220J	CHIP R 22 J 1/16W	KK1R1
R855			RK73HB1J103J	CHIP R 10K J 1/16W	
R858			RK73HB1J103J	CHIP R 10K J 1/16W	
R860			RK73HB1J103J	CHIP R 10K J 1/16W	
R862			RK73HB1J220J	CHIP R 22 J 1/16W	
R863			RK73HB1J103J	CHIP R 10K J 1/16W	
R864,865			RK73HB1J220J	CHIP R 22 J 1/16W	
R866-869			RK73HB1J103J	CHIP R 10K J 1/16W	
R870			RK73GH2A622D	CHIP R 6.2K D 1/10W	
R871,872			RK73HB1J332J	CHIP R 3.3K J 1/16W	
R873			RK73GH2A820D	CHIP R 82 D 1/10W	
R874			RK73GH2A180D	CHIP R 18 D 1/10W	
R876			RK73HB1J000J	CHIP R 0.0 J 1/16W	
R877			RK73HB1J102J	CHIP R 1.0K J 1/16W	
R878			RK73GH2A820D	CHIP R 82 D 1/10W	
R879			RK73GH2A180D	CHIP R 18 D 1/10W	
R880			RK73HB1J223J	CHIP R 22K J 1/16W	
R881,882			RK73GH2A750D	CHIP R 75 D 1/10W	
R884,885			RK73GH2A750D	CHIP R 75 D 1/10W	
R887,888			RK73GH2A750D	CHIP R 75 D 1/10W	
R889			RK73HB1J220J	CHIP R 22 J 1/16W	
R890			RK73FB2B000J	CHIP R 0.0 J 1/8W	
R891			RK73GH2A750D	CHIP R 75 D 1/10W	
R892			RK73HB1J220J	CHIP R 22 J 1/16W	
R893			RK73GH2A750D	CHIP R 75 D 1/10W	
R894,895			RK73HB1J220J	CHIP R 22 J 1/16W	
R896			RK73HB1J472J	CHIP R 4.7K J 1/16W	
R897			RK73HB1J152J	CHIP R 1.5K J 1/16W	
R898			RK73HB1J473J	CHIP R 47K J 1/16W	
R899			RK73HB1J152J	CHIP R 1.5K J 1/16W	
R900			RK73HB1J000J	CHIP R 0.0 J 1/16W	
R901			RK73HB1J105J	CHIP R 1.0M J 1/16W	
R902			RK73HB1J220J	CHIP R 22 J 1/16W	
R903			RK73HB1J222J	CHIP R 2.2K J 1/16W	
R904			RK73HB1J103J	CHIP R 10K J 1/16W	
R905			RK73HB1J000J	CHIP R 0.0 J 1/16W	
R907			RK73HB1J000J	CHIP R 0.0 J 1/16W	
R908			RK73HB1J102J	CHIP R 1.0K J 1/16W	
R909			RK73HB1J000J	CHIP R 0.0 J 1/16W	
R910			RK73HB1J102J	CHIP R 1.0K J 1/16W	
R911			RK73GB2A000J	CHIP R 0.0 J 1/10W	
R912			RK73HB1J000J	CHIP R 0.0 J 1/16W	
R913,914			RK73GB2A000J	CHIP R 0.0 J 1/10W	
R920-927			RK73HB1J220J	CHIP R 22 J 1/16W	
R932-939			RK73HB1J331J	CHIP R 330 J 1/16W	
R940-945			RK73HB1J220J	CHIP R 22 J 1/16W	

Ref. No.	Add	New	Parts No.	Description	Destination
R946			RK73HB1J100J	CHIP R 10 J 1/16W	
R993			RK73HB1J104J	CHIP R 100K J 1/16W	
R994			RK73HB1J105J	CHIP R 1.0M J 1/16W	
R995			RK73HH1J123D	CHIP R 12K D 1/16W	
R998			RK73HB1J000J	CHIP R 0.0 J 1/16W	KE1
D2			1SS355	DIODE	
D101-104			1SS357-F	DIODE	
D201			1SS355	DIODE	KK1R1
D402-404			CVS10A180M	VARIATOR	K1R1E2
D402-404			CVS10A180M	VARIATOR	Q1M1M2
D402-404			CVS10A180M	VARIATOR	X1
D405-408			CVL10C270M300	VARIATOR	K1R1E2
D405-408			CVL10C270M300	VARIATOR	Q1M1M2
D405-408			CVL10C270M300	VARIATOR	X1
D409-411			UDZW6.2(B)	ZENER DIODE	K1R1E2
D409-411			UDZW6.2(B)	ZENER DIODE	Q1M1M2
D409-411			UDZW6.2(B)	ZENER DIODE	X1
D461,462			CVS10A120M	VARIATOR	
D463			UDZW3.9(B)	ZENER DIODE	
D502			CVL10C270M300	VARIATOR	KE1
D605,606			AVF16C212F205	VARIATOR	
IC1			XC6201P502PR	ANALOGUE IC	
IC2			R1114N331B-TR	ANALOGUE IC (3.3V LF)	
IC5			NJM4565V-ZB	ANALOGUE IC	
IC101			-	ANALOGUE IC	
IC102			-	ANALOGUE IC	
IC103			74AHC1GU04GW	MOS-IC	
IC201		*	30878MJB443GP	MICROCONTROLLER IC	
IC202			S-80835CANNB-G	MOS-IC	
IC203		*	W05-1506-00	ROM IC (K)	KK1
IC203		*	W05-1507-00	ROM IC (E)	E1E2
IC203		*	W05-1508-00	ROM IC (M)	M1M2
IC203		*	W05-1509-00	ROM IC (X)	X1
IC203		*	W05-1509-00	ROM IC (R)	R1
IC203		*	W05-1510-00	ROM IC (Q)	Q1
IC203		*	W05-1511-00	ROM IC (V)	V
IC205			74AHCT1G08GW	MOS-IC	KE1
IC207,208			74AHCT1G08GW	MOS-IC	
IC209,210			74LVC3G34DP	MOS-IC	
IC301			TC7SH125FU-F	MOS-IC	
IC302			TC7W02FU-F	MOS-IC	
IC303			TC7SH02FU-F	MOS-IC	
IC401			74AHCT1G08GW	MOS-IC	
IC403			74AHC2G126DP	MOS-IC	
IC404			NJM4565V-ZB	ANALOGUE IC	
IC405			WM8974GEFL/RV	MOS-IC	KE1
IC406			R1114N331B-TR	ANALOGUE IC (3.3V LF)	KE1
IC500			PCM1754DB	MOS-IC	
IC501			NJM2516VC3-ZB	ANALOGUE IC	
IC502			NJM2561F1-ZB	ANALOGUE IC	
IC503			NJM4565V-ZB	ANALOGUE IC	
IC504			R1173S001D-F	ANALOGUE IC (LDO ADJ)	
IC505			XC6201P502MR	ANALOGUE IC	
IC506			R1173S001D-F	ANALOGUE IC (LDO ADJ)	KE1K1
IC506			R1173S001D-F	ANALOGUE IC (LDO ADJ)	R1

E1: DNX9240BT E2: DDX8024BT (Europe) Q1: DDX8054BT (Russian)  
K: DNX9140 K1: DDX814 (North America)  
X1: DDX8034BT (Australia) R1: DDX8034BT (Latin America)  
M1: DDX8034BT M2: DDX8034BTM (Other Areas)

△ Indicates safety critical components.

# PARTS LIST

The IC101,102 and IC801 in the Video control unit (X15-129x-xx) are not replaceable components. When these ICs are defective, replace the whole Video control unit (X15-129x-xx).

## VIDEO CONTROL UNIT (X15-129x-xx)

Ref. No.	Ad	New	Parts No.	Description	Destination
IC506,507 IC506,507 IC605 IC607 IC608			R1173S001D-F R1173S001D-F MIC2005-08YM6 MF1341S2162 MIC2005-05YM6	ANALOGUE IC (LDO ADJ) ANALOGUE IC (LDO ADJ) MOS-IC MICROPROCESSOR IC MOS-IC	E2Q1M1 M2X1
IC700 IC703 IC704,705 IC800 IC801		*	74AHC1GU04GW GL256P90TF7B9 74AHC1GU04GW FM24C64-G -	MOS-IC ROM IC MOS-IC FERAM IC MICROPROCESSOR IC	
IC920 IC921,922 IC923 Q1 Q2		*	BD3533FVM HY5D561622FT3 USB2513I-AEZG 2SC4081 2SA1576A	ANALOGUE IC DRAM IC MOS-IC TRANSISTOR TRANSISTOR	
Q3 Q4 Q5 Q6 Q7			DTA114TUA DTC114YUA 2SC4081 2SA1576A 2SC4081	DIGITAL TRANSISTOR DIGITAL TRANSISTOR TRANSISTOR TRANSISTOR TRANSISTOR	
Q8 Q9 Q10 Q11 Q14			DTA114EUA DTC144EUA 2SB1689 DTC144EUA DTC144EUA	DIGITAL TRANSISTOR DIGITAL TRANSISTOR TRANSISTOR DIGITAL TRANSISTOR DIGITAL TRANSISTOR	
Q15,16 Q17 Q18 Q91 Q101,102			2SA1576A TPC8110-F DTC144EUA DTC143ZUA HAT2218R-E	TRANSISTOR FET DIGITAL TRANSISTOR DIGITAL TRANSISTOR DUAL FET	
Q103,104 Q105 Q107,108 Q201 Q202			DTC144EUA DTC114YUA HAT2218R-E 2SA1576A DTC144EUA	DIGITAL TRANSISTOR DIGITAL TRANSISTOR DUAL FET TRANSISTOR DIGITAL TRANSISTOR	
Q203,204 Q206,207 Q207 Q207 Q500			2SA1576A DTA114YUA DTA114YUA DTA114YUA 2SB1184	TRANSISTOR DIGITAL TRANSISTOR DIGITAL TRANSISTOR DIGITAL TRANSISTOR TRANSISTOR	KK1R1 E1E2Q1 M1M2X1
Q501 Q504 Q505			2SC4081 2SC4081 2SA1576A	TRANSISTOR TRANSISTOR TRANSISTOR	
<b>SWITCH UNIT (X16-6560-10)</b>					
D1 D4 D6			B30-1566-05 B30-1784-05 B30-1784-05	LED (1608,RED) LED (RGB SIDE) LED (RGB SIDE)	
CN1			E41-3101-05	FLAT CABLE CONNECTOR	
R2 R3 R5 R6 R7			RK73GB2A242J RK73GB2A362J RK73GB2A622J RK73GB2A123J RK73GB2A363J	CHIP R 2.4K J 1/10W CHIP R 3.6K J 1/10W CHIP R 6.2K J 1/10W CHIP R 12K J 1/10W CHIP R 36K J 1/10W	

Ref. No.	Ad	New	Parts No.	Description	Destination
S1 -9			S70-0948-05	TACT SWITCH	
D2 ,3 D5 D7 IC1			CVS10A120M MKZM120HGL CVS10A120M PIC95603	VARISTOR ZENER DIODE VARISTOR ANALOGUE IC	
<b>SUB-CIRCUIT UNIT (X16-6590-2x)</b>					
C1 C2 C3 C4 C4			CK73GB1A105K CK73GB1H103K CK73GB1A105K CK73GB0J475K CK73GB0J475K	CHIP C 1.0UF K CHIP C 0.010UF K CHIP C 1.0UF K CHIP C 4.7UF K CHIP C 4.7UF K	KE1 KE1 KE1 E2Q1M1 M2X1
C5 C5 C6 C6 C7 ,8			CK73GB1A105K CK73GB1A105K CK73GB1H104K CK73GB1H104K CC73GCH1H150J	CHIP C 1.0UF K CHIP C 1.0UF K CHIP C 0.10UF K CHIP C 0.10UF K CHIP C 15PF J	E2Q1M1 M2X1 E2Q1M1 M2X1 E2Q1M1
C7 ,8 C9 -11 C9 -11 C12 C12			CC73GCH1H150J CK73GB1H104K CK73GB1H104K CK73GB0J475K CK73GB0J475K	CHIP C 15PF J CHIP C 0.10UF K CHIP C 0.10UF K CHIP C 4.7UF K CHIP C 4.7UF K	M2X1 E2Q1M1 M2X1 E2Q1M1 M2X1
C13 C13 C14 -17 C14 -17			CK73GB1A105K CK73GB1A105K CK73GB1H104K CK73GB1H104K	CHIP C 1.0UF K CHIP C 1.0UF K CHIP C 0.10UF K CHIP C 0.10UF K	E2Q1M1 M2X1 E2Q1M1 M2X1
CN1 CN2 CN2 J1 J1			E41-2451-15 E41-2806-05 E41-2806-05 E68-0025-05 E68-0025-05	FLAT CABLE CONNECTOR PIN ASSY PIN ASSY JACK (OTHERS) (SD CARD SLOT) JACK (OTHERS) (SD CARD SLOT)	KE1 E2Q1M1 M2X1 KE1E2 Q1M1M2
J1			E68-0025-05	JACK (OTHERS) (SD CARD SLOT)	X1
X1 X1			L77-2943-05 L77-2943-05	CRYSTAL RESONATOR (24.000MHZ) CRYSTAL RESONATOR (24.000MHZ)	E2Q1M1 M2X1
R1 R2 R3 ,4 R3 ,4 R5			RK73GB2A103J RK73GB2A224J RK73GB2A102J RK73GB2A102J RK73GB2A222J	CHIP R 10K J 1/10W CHIP R 220K J 1/10W CHIP R 1.0K J 1/10W CHIP R 1.0K J 1/10W CHIP R 2.2K J 1/10W	KE1 KE1 E2Q1M1 M2X1 E2Q1M1
R5 R6 -11 R6 -11 R12 R12			RK73GB2A222J RK73GB2A000J RK73GB2A000J RK73GB2A104J RK73GB2A104J	CHIP R 2.2K J 1/10W CHIP R 0.0 J 1/10W CHIP R 0.0 J 1/10W CHIP R 100K J 1/10W CHIP R 100K J 1/10W	M2X1 E2Q1M1 M2X1 E2Q1M1 M2X1
R13 ,14 R13 ,14 R15 R15 R16 -19			RK73GB2A102J RK73GB2A102J RK73GB2A000J RK73GB2A000J RK73GB2A102J	CHIP R 1.0K J 1/10W CHIP R 1.0K J 1/10W CHIP R 0.0 J 1/10W CHIP R 0.0 J 1/10W CHIP R 1.0K J 1/10W	E2Q1M1 M2X1 E2Q1M1 M2X1 E2Q1M1
R16 -19 R20 R20 R21 R21			RK73GB2A102J RK73GH2A123D RK73GH2A123D RK73GB2A105J RK73GB2A105J	CHIP R 1.0K J 1/10W CHIP R 12K D 1/10W CHIP R 12K D 1/10W CHIP R 1.0M J 1/10W CHIP R 1.0M J 1/10W	M2X1 E2Q1M1 M2X1 E2Q1M1 M2X1

E1: DNX9240BT E2: DDX8024BT (Europe) Q1: DDX8054BT (Russian)  
K: DNX9140 K1: DDX814 (North America)  
X1: DDX8034BT (Australia) R1: DDX8034BT (Latin America)  
M1: DDX8034BT M2: DDX8034BTM (Other Areas)

△Indicates safety critical components.

# PARTS LIST

The IC1 in the Sub-circuit unit (X16-6590-2x) are not replaceable components. When these ICs are defective, replace the whole Sub-circuit unit (X16-6590-2x).

## SUB-CIRCUIT UNIT (X16-6590-2x)

Ref. No.	Add	New	Parts No.	Description	Destination
R22 ,23			RK73GB2A102J	CHIP R 1.0K J 1/10W	E2Q1M1
R22 ,23			RK73GB2A102J	CHIP R 1.0K J 1/10W	M2X1
R24 ,25			RK73GB2A000J	CHIP R 0.0 J 1/10W	E2Q1M1
R24 ,25			RK73GB2A000J	CHIP R 0.0 J 1/10W	M2X1
IC1			-	MOS-IC	E2Q1M1
IC1			-	MOS-IC	M2X1
Q1			RTQ025P02	FET	KE1

## CONTROL CIRCUIT UNIT (X29-4490-13)

C1 ,2			CK73GB1H103K	CHIP C 0.010UF K	
C7			CK73FB1C105K	CHIP C 1.0UF K	
C8			CK73FB1C106K	CHIP C 10UF K	
C9			CK73FB1C105K	CHIP C 1.0UF K	
C11			CK73FB1C105K	CHIP C 1.0UF K	
C14			CK73FB1C106K	CHIP C 10UF K	
C15			CK73FB1C105K	CHIP C 1.0UF K	
C16			CE32BJ1C100M	CHIP EL 10UF 16WV	
C17			CK73GB1H102K	CHIP C 1000PF K	
C18 ,19			CK73GB1H104K	CHIP C 0.10UF K	
C20			CK73GB1H102K	CHIP C 1000PF K	
C21			CE32BJ1C100M	CHIP EL 10UF 16WV	
C24			CD04AT0J331M	ELECTRO 330UF 6.3WV	
C27 -29			CK73GB1H104K	CHIP C 0.10UF K	
C100-102			CK73GB1H104K	CHIP C 0.10UF K	
C103,104			CE32BJ1C100M	CHIP EL 10UF 16WV	
C105			CK73GB1H103K	CHIP C 0.010UF K	
C106			CE32BJ1C100M	CHIP EL 10UF 16WV	
C107,108			CK73GB1H102K	CHIP C 1000PF K	
C109-111			CE32BJ1C100M	CHIP EL 10UF 16WV	
C112			CK73GB1H103K	CHIP C 0.010UF K	
C113-115			CE32BJ1C100M	CHIP EL 10UF 16WV	
C116			CK73GB1H102K	CHIP C 1000PF K	
C117			CK73GB1H103K	CHIP C 0.010UF K	
C118			CK73GB1H102K	CHIP C 1000PF K	
C119-121			CE32BJ1C100M	CHIP EL 10UF 16WV	
C122			CK73GB1H103K	CHIP C 0.010UF K	
C123,124			CK73EB1C106K	CHIP C 10UF K	
C125			CK73GB1H102K	CHIP C 1000PF K	
C126			CK73EB1C106K	CHIP C 10UF K	
C127			CK73GB1H103K	CHIP C 0.010UF K	
C128			CK73GB1H102K	CHIP C 1000PF K	
C129-131			CK73EB1C106K	CHIP C 10UF K	
C132			CK73GB1H103K	CHIP C 0.010UF K	
C133			CK73EB1C106K	CHIP C 10UF K	
C134			CD04AS1C101M	ELECTRO 100UF 16WV	
C135-137			CK73EB1E225K	CHIP C 2.2UF K	
C138			CK73EB1C106K	CHIP C 10UF K	
C139			CK73EB1E225K	CHIP C 2.2UF K	
C140			CK73GB1H223K	CHIP C 0.022UF K	
C141			CK73GB1H103K	CHIP C 0.010UF K	
C142,143			CK73EB1C106K	CHIP C 10UF K	
C200			CK73GB1H473K	CHIP C 0.047UF K	
C201			CK73EB1E105K	CHIP C 1.0UF K	
C202			CK73GB1H473K	CHIP C 0.047UF K	
C203			CK73EB1E105K	CHIP C 1.0UF K	

Ref. No.	Add	New	Parts No.	Description	Destination
CN1			E41-2959-05	PIN ASSY	
CN100			E41-2964-05	PIN ASSY	
CN300			E41-2980-05	FLAT CABLE CONNECTOR	
CN302			E40-6469-05	PIN ASSY	
J200			E58-1067-05	RECTANGULAR RECEPTACLE	
WH1			E39-0985-15	WIRING HARNESS	
L100			L41-2205-33	SMALL FIXED INDUCTOR (22U)	
R4 ,5			RK73GB2A102J	CHIP R 1.0K J 1/10W	
R9			RK73FB2B000J	CHIP R 0.0 J 1/8W	
R10			RK73EB2E100J	CHIP R 10 J 1/4W	
R11			RK73FB2B000J	CHIP R 0.0 J 1/8W	
R12			RK73EB2E100J	CHIP R 10 J 1/4W	
R14			RK73FB2B000J	CHIP R 0.0 J 1/8W	
R15			RK73EB2E100J	CHIP R 10 J 1/4W	
R19			RK73FB2B000J	CHIP R 0.0 J 1/8W	
R20 ,21			RK73GB2A750J	CHIP R 75 J 1/10W	
R22			RK73GH2A750D	CHIP R 75 D 1/10W	
R25			RK73FB2B000J	CHIP R 0.0 J 1/8W	
R30			RK73FB2B000J	CHIP R 0.0 J 1/8W	
R31			RK73EB2E332J	CHIP R 3.3K J 1/4W	
R33			RK73GB2A103J	CHIP R 10K J 1/10W	
R34			RK73EB2E162J	CHIP R 1.6K J 1/4W	
R35			RK73GB2A103J	CHIP R 10K J 1/10W	
R37			RK73EB2E332J	CHIP R 3.3K J 1/4W	
R40			RK73EB2E332J	CHIP R 3.3K J 1/4W	
R41			RK73EB2E162J	CHIP R 1.6K J 1/4W	
R43			RK73EB2E332J	CHIP R 3.3K J 1/4W	
R46			RK73FB2B101J	CHIP R 100 J 1/8W	
R47			RK73GB2A471J	CHIP R 470 J 1/10W	
R48			RK73EB2E750J	CHIP R 75 J 1/4W	
R49			RK73GB2A223J	CHIP R 22K J 1/10W	
R51			RK73GB2A223J	CHIP R 22K J 1/10W	
R53			RK73FB2B101J	CHIP R 100 J 1/8W	
R54			RK73GB2A471J	CHIP R 470 J 1/10W	
R55 ,56			RK73GB2A103J	CHIP R 10K J 1/10W	
R100,101			RK73FB2B103J	CHIP R 10K J 1/8W	
R103			RK73GB2A471J	CHIP R 470 J 1/10W	
R104			RK73EB2E820J	CHIP R 82 J 1/4W	
R105			RK73GB2A104J	CHIP R 100K J 1/10W	
R106			RK73GB2A223J	CHIP R 22K J 1/10W	
R109			RK73GB2A223J	CHIP R 22K J 1/10W	
R111			RK73GB2A104J	CHIP R 100K J 1/10W	
R113			RK73GB2A471J	CHIP R 470 J 1/10W	
R114			RK73EB2E820J	CHIP R 82 J 1/4W	
R115,116			RK73FB2B103J	CHIP R 10K J 1/8W	
R120			RK73GB2A471J	CHIP R 470 J 1/10W	
R121			RK73EB2E820J	CHIP R 82 J 1/4W	
R122,123			RK73FB2B103J	CHIP R 10K J 1/8W	
R124			RK73GB2A104J	CHIP R 100K J 1/10W	
R125			RK73GB2A223J	CHIP R 22K J 1/10W	
R127,128			RK73GB2A000J	CHIP R 0.0 J 1/10W	
R129			RK73GB2A223J	CHIP R 22K J 1/10W	
R131			RK73GB2A104J	CHIP R 100K J 1/10W	

E1: DNX9240BT E2: DDX8024BT (Europe) Q1: DDX8054BT (Russian)  
K: DNX9140 K1: DDX814 (North America)  
X1: DDX8034BT (Australia) R1: DDX8034BT (Latin America)  
M1: DDX8034BT M2: DDX8034BTM (Other Areas)

△ Indicates safety critical components.

# PARTS LIST

## CONTROL CIRCUIT UNIT (X29-4490-13)

Ref. No.	A d d	N e w	Parts No.	Description	Desti- nation
R133			RK73GB2A471J	CHIP R 470 J 1/10W	
R135			RK73EB2E820J	CHIP R 82 J 1/4W	
R136,137			RK73FB2B103J	CHIP R 10K J 1/8W	
R139			RK73GB2A471J	CHIP R 470 J 1/10W	
R140			RK73GB2A104J	CHIP R 100K J 1/10W	
R141			RK73GB2A223J	CHIP R 22K J 1/10W	
R143,144			RK73FB2B103J	CHIP R 10K J 1/8W	
R145			RK73EB2E820J	CHIP R 82 J 1/4W	
R146			RK73GB2A223J	CHIP R 22K J 1/10W	
R148			RK73GB2A104J	CHIP R 100K J 1/10W	
R149			RK73GB2A471J	CHIP R 470 J 1/10W	
R151			RK73EB2E820J	CHIP R 82 J 1/4W	
R152,153			RK73FB2B103J	CHIP R 10K J 1/8W	
R154			RK73FB2B152J	CHIP R 1.5K J 1/8W	
R155			RK73GB2A752J	CHIP R 7.5K J 1/10W	
R156			RK73GB2A750J	CHIP R 75 J 1/10W	
R157			RK73GB2A272J	CHIP R 2.7K J 1/10W	
R158			RK73GB2A470J	CHIP R 47 J 1/10W	
R159			RK73GB2A752J	CHIP R 7.5K J 1/10W	
R160			RK73GB2A274J	CHIP R 270K J 1/10W	
R161			RK73GB2A563J	CHIP R 56K J 1/10W	
R162			RK73GB2A470J	CHIP R 47 J 1/10W	
R163			RK73GB2A103J	CHIP R 10K J 1/10W	
R164,165			RK73GB2A913J	CHIP R 91K J 1/10W	
R200			RK73GB2A472J	CHIP R 4.7K J 1/10W	
R201			RK73GB2A473J	CHIP R 47K J 1/10W	
R202			RK73EB2E152J	CHIP R 1.5K J 1/4W	
R203			RK73GB2A473J	CHIP R 47K J 1/10W	
R204			RK73GB2A621J	CHIP R 620 J 1/10W	
R205			RK73GB2A242J	CHIP R 2.4K J 1/10W	
R206,207			RK73PB2H2R0J	CHIP R 2.0 J 1/2W	
R208			RK73GB2A124J	CHIP R 120K J 1/10W	
R209			RK73GB2A103J	CHIP R 10K J 1/10W	
R210			RK73GB2A473J	CHIP R 47K J 1/10W	
R211			RK73FB2B472J	CHIP R 4.7K J 1/8W	
R212			RK73GB2A472J	CHIP R 4.7K J 1/10W	
R213			RK73GB2A473J	CHIP R 47K J 1/10W	
R214			RK73EB2E152J	CHIP R 1.5K J 1/4W	
R215			RK73GB2A473J	CHIP R 47K J 1/10W	
R216			RK73GB2A621J	CHIP R 620 J 1/10W	
R217			RK73GB2A242J	CHIP R 2.4K J 1/10W	
R218,219			RK73PB2H2R0J	CHIP R 2.0 J 1/2W	
R220			RK73GB2A124J	CHIP R 120K J 1/10W	
R221			RK73GB2A103J	CHIP R 10K J 1/10W	
R222			RK73GB2A473J	CHIP R 47K J 1/10W	
R223			RK73FB2B472J	CHIP R 4.7K J 1/8W	
R300			RK73GB2A105J	CHIP R 1.0M J 1/10W	
D1 -3			STZ6.2N	ZENER DIODE	
D4			UDZW6.8(B)	ZENER DIODE	
D5			UDZW6.2(B)	ZENER DIODE	
D6 ,7			UDZW6.8(B)	ZENER DIODE	
D8			UDZW6.2(B)	ZENER DIODE	
D9			UDZW6.8(B)	ZENER DIODE	
D10 -13			AVRM16270MAAB	VARIATOR	

Ref. No.	A d d	N e w	Parts No.	Description	Desti- nation
D14 ,15			AVRM16180M6AB	VARIATOR	
D16 ,17			DAP202U	DIODE	
D18			STZ6.2N	ZENER DIODE	
D100-105			AVRM16180M6AB	VARIATOR	
D106-110			DAP202U	DIODE	
D111			UDZW11(B)	ZENER DIODE	
D112			UDZW5.6(B)	ZENER DIODE	
D200-203			1SR154-400	DIODE	
D307-312			CVS10A120M	VARIATOR	
IC100-102			NJM4565V-ZB	ANALOGUE IC	
IC103			ICL7660SIBAZ	ANALOGUE IC	
Q4			DTC143TUA	DIGITAL TRANSISTOR	
Q5			DTA144EUA	DIGITAL TRANSISTOR	
Q6			DTC143TUA	DIGITAL TRANSISTOR	
Q100			DTC143TUA	DIGITAL TRANSISTOR	
Q101			DTA144EUA	DIGITAL TRANSISTOR	
Q102-105			DTC143TUA	DIGITAL TRANSISTOR	
Q106			DTA144EUA	DIGITAL TRANSISTOR	
Q107			DTC143TUA	DIGITAL TRANSISTOR	
Q108			UMC2N	TRANSISTOR	
Q109			2SB1443	TRANSISTOR	
Q110			2SC4081	TRANSISTOR	
Q111			2SA1576A	TRANSISTOR	
Q112			2SC4081	TRANSISTOR	
Q113			2SA1576A	TRANSISTOR	
Q114			2SC4081	TRANSISTOR	
Q115			2SA1576A	TRANSISTOR	
Q116			2SC4081	TRANSISTOR	
Q200			DTC114TUA	DIGITAL TRANSISTOR	
Q201			2SC4081	TRANSISTOR	
Q202			2SB1443	TRANSISTOR	
Q203			2SA1576A	TRANSISTOR	
Q204,205			2SC4081	TRANSISTOR	
Q206			DTC114TUA	DIGITAL TRANSISTOR	
Q207			2SC4081	TRANSISTOR	
Q208			2SB1443	TRANSISTOR	
Q209			2SA1576A	TRANSISTOR	
Q210,211			2SC4081	TRANSISTOR	
<b>ELECTRIC UNIT (X34-651x-xx)</b>					
C1			C90-5666-05	ELECTRO	3900UF 25WV
C2 ,3			CK73GB1H103K	CHIP C	0.010UF K
C4			C93-1470-05	CHIP C	15000PF K
C4			C93-1470-05	CHIP C	15000PF K
C5			CK73GB1H103K	CHIP C	0.010UF K
C6 ,7			CK73FB1C105K	CHIP C	1.0UF K
C8			CK73GB1H103K	CHIP C	0.010UF K
C9			CK73FB1C105K	CHIP C	1.0UF K
C10			CK73FB1E474K	CHIP C	0.47UF K
C11			CK73FB1A335K	CHIP C	3.3UF K
C12			CK73FB1C105K	CHIP C	1.0UF K
C13			CK73GB1H104K	CHIP C	0.10UF K
C14			CK73GB1H103K	CHIP C	0.010UF K
C101			CK73FB1H334K	CHIP C	0.33UF K
C102			CK73GB1H103K	CHIP C	0.010UF K



# PARTS LIST

## ELECTRIC UNIT (X34-651x-xx)

Ref. No.	Add	New	Parts No.	Description	Destination	Ref. No.	Add	New	Parts No.	Description	Destination	
C103			CK73GB1A105K	CHIP C 1.0UF K	KK1R1	C451			CK73FB1C106K	CHIP C 10UF K	E1E2Q1	
C104			C90-5692-05	ELECTRO 220UF 16WV		C452			CK73GB1C104K	CHIP C 0.10UF K		
C105			CK73GB1H103K	CHIP C 0.010UF K		C453			CK73FB0J106K	CHIP C 10UF K		
C106			CK73GB1H104K	CHIP C 0.10UF K		C454			CK73GB1C104K	CHIP C 0.10UF K		
C108			CK73GB1H103K	CHIP C 0.010UF K		C455			CK73GB1A105K	CHIP C 1.0UF K		
C109			CK73GB1A105K	CHIP C 1.0UF K		C455			CK73GB1A105K	CHIP C 1.0UF K		M1M2X1
C110			CE32BJ1C101M	CHIP EL 100UF 16WV		C456			CE32BJ1C220M	CHIP EL 22UF 16WV		
C111			CK73FB1H334K	CHIP C 0.33UF K		C457			CK73GB1C104K	CHIP C 0.10UF K		
C112			CK73GB1H103K	CHIP C 0.010UF K	C458			CK73FB0J106K	CHIP C 10UF K			
C113			CK73GB1A105K	CHIP C 1.0UF K	C463-467			CK73GB1A105K	CHIP C 1.0UF K			
C114			CD04AY1A101M	ELECTRO 100UF 10WV	C469-474			CK73GB1A105K	CHIP C 1.0UF K	KK1R1		
C115			CK73GB1A105K	CHIP C 1.0UF K	C481			CK73GB1C104K	CHIP C 0.10UF K			
C116			CD04BD1C221M	ELECTRO 220UF 16WV	C482-487			CK73GB1A105K	CHIP C 1.0UF K			
C117			CK73GB1H102K	CHIP C 1000PF K	C488			CK73GB1C104K	CHIP C 0.10UF K			
C118			CD04AT1A101M	ELECTRO 100UF 10WV	C489			CK73GB1A105K	CHIP C 1.0UF K			
C119			CK73GB1A105K	CHIP C 1.0UF K	C490			CK73FB1C106K	CHIP C 10UF K		KE1	
C120,121			CK73GB1C104K	CHIP C 0.10UF K	C491,492			CK73GB1A105K	CHIP C 1.0UF K			
C122			CK73FB0J106K	CHIP C 10UF K	C493			CK73GB1H103K	CHIP C 0.010UF K	KE1		
C123			CK73FB1H334K	CHIP C 0.33UF K	C500,501			CC73GCH1H100D	CHIP C 10PF D			
C124			CK73GB1H102K	CHIP C 1000PF K	C500,501			CC73GCH1H100D	CHIP C 10PF D	R1E2Q1		
C125			CK73FB1H334K	CHIP C 0.33UF K	C500,501			CC73GCH1H100D	CHIP C 10PF D	M1M2		
C128			C90-6851-05	ELECTRO 220UF 25WV	C504			CK73GB1H103K	CHIP C 0.010UF K			
C129			CK73FB1A225K	CHIP C 2.2UF K	C504			CK73GB1H103K	CHIP C 0.010UF K	R1E2Q1		
C130			CK73GB1A105K	CHIP C 1.0UF K	C504			CK73GB1H103K	CHIP C 0.010UF K			
C131,132			CK73GB1C104K	CHIP C 0.10UF K	C505			CC73GCH1H331J	CHIP C 330PF J	KE1K1		
C133			CK73FB0J106K	CHIP C 10UF K	C505			CC73GCH1H331J	CHIP C 330PF J			
C134			CC73GCH1H100D	CHIP C 10PF D	C505			CC73GCH1H331J	CHIP C 330PF J	M1M2		
C151			CK73GB1H103K	CHIP C 0.010UF K	C513			CK73GB1A105K	CHIP C 1.0UF K			
C152,153			CK73GB1H104K	CHIP C 0.10UF K	C515			CD04AS1V100M	ELECTRO 10UF 35WV	KE1K1		
C154,155			CK73GB1H103K	CHIP C 0.010UF K	C515			CD04AS1V100M	ELECTRO 10UF 35WV			
C199			CK73GB1H102K	CHIP C 1000PF K	KK1R1 E2Q1M1 M2X1 E1	C515			CD04AS1V100M	ELECTRO 10UF 35WV	M1M2	
C199			CK73GB1H102K	CHIP C 1000PF K		C516-519			CK73GB1H103K	CHIP C 0.010UF K		
C199			CK73GB1H102K	CHIP C 1000PF K		C520			CK73GB1H102K	CHIP C 1000PF K	E1	
C199,200			CK73GB1H102K	CHIP C 1000PF K		C524			CK73GB1H102K	CHIP C 1000PF K		
C301			CK73GB1H103K	CHIP C 0.010UF K		C597			CK73GB1H102K	CHIP C 1000PF K		
C302			CK73GB1H473K	CHIP C 0.047UF K		C598			CC73GCH1H101J	CHIP C 100PF J		
C303,304			CK73GB1H103K	CHIP C 0.010UF K	C600-602			CK73GB1A105K	CHIP C 1.0UF K	KK1R1		
C305			CK73GB1H102K	CHIP C 1000PF K	C603-605			CK73GB1H103K	CHIP C 0.010UF K			
C306,307			CK73GB1H103K	CHIP C 0.010UF K	C603,604			CK73GB1H103K	CHIP C 0.010UF K			
C308			CK73GB1C104K	CHIP C 0.10UF K	C603,604			CK73GB1H103K	CHIP C 0.010UF K			
C310			CK73FB0J106K	CHIP C 10UF K	C616			CK73GB1H104K	CHIP C 0.10UF K		KK1R1	
C401,402			CK73GB1A105K	CHIP C 1.0UF K	C616-618			CK73GB1H104K	CHIP C 0.10UF K			
C403,404			CK73GB1A474K	CHIP C 0.47UF K	C616-618			CK73GB1H104K	CHIP C 0.10UF K	M1M2X1		
C405			CK73GB1A105K	CHIP C 1.0UF K	C618			CK73GB1H104K	CHIP C 0.10UF K			
C406			CE32BJ1H010M	CHIP EL 1.0UF 50WV	C650-652			CK73FB1C105K	CHIP C 1.0UF K	KK1R1		
C407			CE32BD1C470M	CHIP EL 47UF 16WV	C653			CK73GB1C104K	CHIP C 0.10UF K			
C408			CK73GB1H103K	CHIP C 0.010UF K	C654			CC73GCH1H470J	CHIP C 47PF J	KK1R1		
C409,410			CK73GB1A105K	CHIP C 1.0UF K	C701,702			CC73GCH1H102J	CHIP C 1000PF J			
C413,414			CK73GB1A105K	CHIP C 1.0UF K	C795			CK73GB1H102K	CHIP C 1000PF K			
C417			CE32BJ1V100M	CHIP EL 10UF 35WV	C797			CK73GB1H102K	CHIP C 1000PF K			
C431,432			CK73EB1E225K	CHIP C 2.2UF K	C798			CK73HB1A104K	CHIP C 0.10UF K	C799		
C433-436			CK73GB1A105K	CHIP C 1.0UF K	C799			CK73HB0J105K	CHIP C 1.0UF K			
C443			CK73GB1A105K	CHIP C 1.0UF K	C800			CK73HB1A104K	CHIP C 0.10UF K			
C444			CK73FB1C106K	CHIP C 10UF K	C801			CK73GB1C104K	CHIP C 0.10UF K			
C445			CK73GB1A105K	CHIP C 1.0UF K	C802-808			CK73HB1A104K	CHIP C 0.10UF K			

E1: DNX9240BT E2: DDX8024BT (Europe) Q1: DDX8054BT (Russian)  
K: DNX9140 K1: DDX814 (North America)  
X1: DDX8034BT (Australia) R1: DDX8034BT (Latin America)  
M1: DDX8034BT M2: DDX8034BTM (Other Areas)

△ Indicates safety critical components.

# PARTS LIST

## ELECTRIC UNIT (X34-651x-xx)

Ref. No.	A d	N e w	Parts No.	Description	Desti- nation	Ref. No.	A d	N e w	Parts No.	Description	Desti- nation
C809			CK73HB0J105K	CHIP C 1.0UF K		C909			CK73GB1A105K	CHIP C 1.0UF K	
C810-813			CK73HB1A104K	CHIP C 0.10UF K		C911-920			CK73GB1H222K	CHIP C 2200PF K	
C814			CK73GB1H473K	CHIP C 0.047UF K		C921-928			CC73GCH1H221J	CHIP C 220PF J	
C815,816			CK73HB1E103K	CHIP C 0.010UF K		C930			CK73GB1H102K	CHIP C 1000PF K	
C817			CC73HCH1H470J	CHIP C 47PF J		C931-934			CC73GCH1H101J	CHIP C 100PF J	
C818			CK73HB1E103K	CHIP C 0.010UF K		CN201			E41-2237-05	FLAT CABLE CONNECTOR	
C819			CE32BJ1C100M	CHIP EL 10UF 16WV		CN202			E40-6470-05	PIN ASSY	
C820			CK73HB1E103K	CHIP C 0.010UF K		CN203,204			E41-2979-05	FLAT CABLE CONNECTOR	
C821,822			CE32BJ1C100M	CHIP EL 10UF 16WV		CN205			E41-2958-05	PIN ASSY	
C823-826			CK73EB1A106K	CHIP C 10UF K		J1			E58-1043-05	RECTANGULAR RECEPTACLE	
C827,828			CK73FB1C106K	CHIP C 10UF K		J600			E58-1034-05	RECTANGULAR RECEPTACLE	
C829-831			CK73HB1E103K	CHIP C 0.010UF K		J650			E58-1097-05	RECTANGULAR RECEPTACLE	KK1R1
C833			CK73GB1C104K	CHIP C 0.10UF K		J701			E11-0625-05	PHONE JACK	
C834			CK73GB1A105K	CHIP C 1.0UF K		J702			E11-0656-05	PHONE JACK (3.5D YELLOW)	
C835			CK73GB1C104K	CHIP C 0.10UF K		W500			E30-6883-05	CORD WITH PLUG	KK1R1
C836			CK73GB1A105K	CHIP C 1.0UF K		W500			E30-6883-05	CORD WITH PLUG	E2Q1M1 M2X1
C837			CK73GB1C104K	CHIP C 0.10UF K		W500			E30-6883-05	CORD WITH PLUG	
C838			CK73FB0J106K	CHIP C 10UF K		F101			F53-0306-05	FUSE (UL,CSA) 5A	KK1R1
C840			CC73HCH1H150J	CHIP C 15PF J		F102			F53-0297-05	FUSE (UL,CSA) 1.6A	
C842			CC73HCH1H150J	CHIP C 15PF J		L1			L33-2436-05	CHOKE COIL ASSY	
C845			CK73HB1A104K	CHIP C 0.10UF K		L104			L41-1005-33	SMALL FIXED INDUCTOR (10U)	
C846			CK73GB1A105K	CHIP C 1.0UF K		L451			L41-1005-33	SMALL FIXED INDUCTOR (10U)	
C848			CK73GB1C104K	CHIP C 0.10UF K		L453,454			L41-1005-33	SMALL FIXED INDUCTOR (10U)	KE1
C849			CK73HB1E103K	CHIP C 0.010UF K		L454			L41-1005-33	SMALL FIXED INDUCTOR (10U)	K1R1E2
C850			CK73GB1H103K	CHIP C 0.010UF K		L454			L41-1005-33	SMALL FIXED INDUCTOR (10U)	Q1M1M2
C851,852			CC73HCH1H102J	CHIP C 1000PF J		L454			L41-1005-33	SMALL FIXED INDUCTOR (10U)	X1
C853,854			CC73HCH1H271J	CHIP C 270PF J		L502,503			L41-4795-33	SMALL FIXED INDUCTOR (4.7U)	
C855			CK73GB1H103K	CHIP C 0.010UF K		L801			L92-0373-05	CHIP FERRITE	
C856			CK73HB1E103K	CHIP C 0.010UF K		L802			L41-1005-33	SMALL FIXED INDUCTOR (10U)	
C857,858			CE32BJ1C100M	CHIP EL 10UF 16WV		L803			L92-0373-05	CHIP FERRITE	
C859			CK73GB1H103K	CHIP C 0.010UF K		X500			L77-2002-05	CRYSTAL RESONATOR	KE1K1
C860			CE32BJ1C220M	CHIP EL 22UF 16WV		X500			L77-2002-05	CRYSTAL RESONATOR	R1E2Q1
C861			CK73FB0J106K	CHIP C 10UF K		X500			L77-2002-05	CRYSTAL RESONATOR	M1M2
C862-870			CK73HB1E103K	CHIP C 0.010UF K		X801			L77-3810-05	CRYSTAL RESONATOR (11.2896MHZ)	
C871,872			CC73HCH1H102J	CHIP C 1000PF J		AB	2C		N09-6727-05	TAPTITE SCREW	
C873,874			CC73HCH1H271J	CHIP C 270PF J		E	2C		N35-2604-43	BINDING HEAD MACHINE SCREW	KK1R1
C875,876			CK73EB1A106K	CHIP C 10UF K		R1			RK73EB2E272J	CHIP R 2.7K J 1/4W	
C877			CK73GB1H103K	CHIP C 0.010UF K		R2			RK73GB2A102J	CHIP R 1.0K J 1/10W	
C878-880			CK73HB1E103K	CHIP C 0.010UF K		R4			RK73EB2E103J	CHIP R 10K J 1/4W	
C881,882			CC73HCH1H102J	CHIP C 1000PF J		R5			RK73GB2A000J	CHIP R 0.0 J 1/10W	
C883			CC73HCH1H271J	CHIP C 270PF J		R6			RK73GB2A103J	CHIP R 10K J 1/10W	
C884			CC73HCH1H102J	CHIP C 1000PF J		R7 ,8			RK73GB2A473J	CHIP R 47K J 1/10W	
C885,886			CK73EB1A106K	CHIP C 10UF K		R9			RK73EB2E272J	CHIP R 2.7K J 1/4W	
C887,888			CK73HB1E103K	CHIP C 0.010UF K		R10			RK73GB2A102J	CHIP R 1.0K J 1/10W	
C890			CK73GB1H103K	CHIP C 0.010UF K		R12			RK73EB2E102J	CHIP R 1.0K J 1/4W	
C891,892			CK73HB1A104K	CHIP C 0.10UF K		R13 ,14			RK73EB2E622J	CHIP R 6.2K J 1/4W	
C893			CK73GB1H103K	CHIP C 0.010UF K		R15			RK73GB2A153J	CHIP R 15K J 1/10W	
C894			CK73GB0J106M	CHIP C 10UF M		R16			RK73GB2A912J	CHIP R 9.1K J 1/10W	
C895-897			CK73HB1A104K	CHIP C 0.10UF K		R18			RK73FB2B472J	CHIP R 4.7K J 1/8W	
C899			CC73GCH1H100D	CHIP C 10PF D		R19			RK73PB2H102J	CHIP R 1.0K J 1/2W	
C900			CK73HB1A104K	CHIP C 0.10UF K		R20			RK73GB2A223J	CHIP R 22K J 1/10W	
C901-904			C90-6768-05	ELECTRO 0.22UF 16WV		R21			RK73PB2H102J	CHIP R 1.0K J 1/2W	
C905			CK73GB1A105K	CHIP C 1.0UF K		R22			RK73FB2B472J	CHIP R 4.7K J 1/8W	
C906			CD04BA1E330M	ELECTRO 33UF 25WV							
C907			C90-6780-05	ELECTRO 1UF 16WV							

E1: DNX9240BT E2: DDX8024BT (Europe) Q1: DDX8054BT (Russian)  
K: DNX9140 K1: DDX814 (North America)  
X1: DDX8034BT (Australia) R1: DDX8034BT (Latin America)  
M1: DDX8034BT M2: DDX8034BTM (Other Areas)

△ Indicates safety critical components.



# PARTS LIST

## ELECTRIC UNIT (X34-651x-xx)

Ref. No.	Add	New	Parts No.	Description	Destination	Ref. No.	Add	New	Parts No.	Description	Destination
R24			RK73FB2B000J	CHIP R 0.0 J 1/8W	E1E2Q1	R401			RK73GB2A104J	CHIP R 100K J 1/10W	
R25			RK73PB2H102J	CHIP R 1.0K J 1/2W	KK1R1	R402			RK73GB2A102J	CHIP R 1.0K J 1/10W	
R25			RK73PB2H102J	CHIP R 1.0K J 1/2W	M1M2X1	R403			RK73GB2A103J	CHIP R 10K J 1/10W	
R26			RK73GB2A103J	CHIP R 10K J 1/10W	KK1R1	R404,405			RK73GB2A101J	CHIP R 100 J 1/10W	
R26			RK73GB2A103J	CHIP R 10K J 1/10W	M1M2X1	R407			RK73EB2E4R7J	CHIP R 4.7 J 1/4W	
R27			RK73PB2H102J	CHIP R 1.0K J 1/2W	KK1R1	R408			RK73GB2A103J	CHIP R 10K J 1/10W	
R27			RK73PB2H102J	CHIP R 1.0K J 1/2W	M1M2X1	R417,418			RK73GB2A101J	CHIP R 100 J 1/10W	
R28			RK73GB2A103J	CHIP R 10K J 1/10W	KK1R1	R451			RK73GB2A101J	CHIP R 100 J 1/10W	
R28			RK73GB2A103J	CHIP R 10K J 1/10W	M1M2X1	R453			RK73GB2A101J	CHIP R 100 J 1/10W	
R29			RK73GB2A222J	CHIP R 2.2K J 1/10W	KK1R1	R456			RK73GB2A000J	CHIP R 0.0 J 1/10W	K1R1E2
R29			RK73GB2A222J	CHIP R 2.2K J 1/10W	M1M2X1	R456			RK73GB2A000J	CHIP R 0.0 J 1/10W	Q1M1M2
R30			RK73EB2E103J	CHIP R 10K J 1/4W		R456			RK73GB2A000J	CHIP R 0.0 J 1/10W	X1
R31			RK73GB2A104J	CHIP R 100K J 1/10W		R456,457			RK73GB2A102J	CHIP R 1.0K J 1/10W	KE1
R32			RK73GB2A473J	CHIP R 47K J 1/10W		R461			RK73GB2A000J	CHIP R 0.0 J 1/10W	
R101			RK73FB2B221J	CHIP R 220 J 1/8W		R463			RK73GH2A471D	CHIP R 470 D 1/10W	
R102			RK73GH2A243D	CHIP R 24K D 1/10W		R465			RK73GB2A000J	CHIP R 0.0 J 1/10W	
R103			RK73GH2A432D	CHIP R 4.3K D 1/10W		R467			RK73GH2A471D	CHIP R 470 D 1/10W	
R104			RK73GB2A223J	CHIP R 22K J 1/10W		R475,476			RK73GB2A000J	CHIP R 0.0 J 1/10W	E1E2Q1
R105			RK73FB2B222J	CHIP R 2.2K J 1/8W		R475,476			RK73GB2A000J	CHIP R 0.0 J 1/10W	M1M2X1
R106			RK73GB2A823J	CHIP R 82K J 1/10W	KK1R1	R481-483			RK73GB2A000J	CHIP R 0.0 J 1/10W	
R107			RK73GB2A103J	CHIP R 10K J 1/10W	KK1R1	R484			RK73GB2A473J	CHIP R 47K J 1/10W	KK1R1
R108			RK73FB2B221J	CHIP R 220 J 1/8W		R485			RK73GB2A102J	CHIP R 1.0K J 1/10W	KK1R1
R110			RK73GB2A473J	CHIP R 47K J 1/10W	KK1R1	R486			RK73GB2A000J	CHIP R 0.0 J 1/10W	K1R1E2
R111			RK73FB2B221J	CHIP R 220 J 1/8W		R486			RK73GB2A000J	CHIP R 0.0 J 1/10W	Q1M1M2
R112			RK73GH2A243D	CHIP R 24K D 1/10W		R486			RK73GB2A000J	CHIP R 0.0 J 1/10W	X1
R113			RK73GH2A432D	CHIP R 4.3K D 1/10W		R500			RK73GB2A222J	CHIP R 2.2K J 1/10W	KE1K1
R114			RK73GH2A243D	CHIP R 24K D 1/10W		R500			RK73GB2A222J	CHIP R 2.2K J 1/10W	R1E2Q1
R115			RK73FB2B221J	CHIP R 220 J 1/8W		R500			RK73GB2A222J	CHIP R 2.2K J 1/10W	M1M2
R116			RK73GH2A243D	CHIP R 24K D 1/10W		R501			RK73GB2A223J	CHIP R 22K J 1/10W	
R117,118			RK73GH2A432D	CHIP R 4.3K D 1/10W		R502			RK73GB2A102J	CHIP R 1.0K J 1/10W	
R120			RK73FB2B223J	CHIP R 22K J 1/8W		R504,505			RK73GB2A222J	CHIP R 2.2K J 1/10W	KE1K1
R121,122			RK73GB2A101J	CHIP R 100 J 1/10W		R504,505			RK73GB2A222J	CHIP R 2.2K J 1/10W	R1E2Q1
R123			RK73GB2A2R2J	CHIP R 2.2 J 1/10W		R504,505			RK73GB2A222J	CHIP R 2.2K J 1/10W	M1M2
R125-127			RK73EB2E4R7J	CHIP R 4.7 J 1/4W		R506			RK73GB2A4R7J	CHIP R 4.7 J 1/10W	KE1K1
R131,132			RK73GB2A4R7J	CHIP R 4.7 J 1/10W		R506			RK73GB2A4R7J	CHIP R 4.7 J 1/10W	R1E2Q1
R134			RK73GB2A100J	CHIP R 10 J 1/10W		R506			RK73GB2A4R7J	CHIP R 4.7 J 1/10W	M1M2
R301,302			RK73GB2A303J	CHIP R 30K J 1/10W		R509			RK73GB2A000J	CHIP R 0.0 J 1/10W	
R303			RK73GB2A272J	CHIP R 2.7K J 1/10W		R511			RK73GB2A000J	CHIP R 0.0 J 1/10W	
R304			RK73GB2A000J	CHIP R 0.0 J 1/10W		R514-516			RK73GB2A000J	CHIP R 0.0 J 1/10W	E1
R305			RK73GH2A333D	CHIP R 33K D 1/10W		R515,516			RK73GB2A000J	CHIP R 0.0 J 1/10W	KK1R1
R306			RK73GH2A222D	CHIP R 2.2K D 1/10W		R515,516			RK73GB2A000J	CHIP R 0.0 J 1/10W	E2Q1M1
R307			RK73GH2A153D	CHIP R 15K D 1/10W		R515,516			RK73GB2A000J	CHIP R 0.0 J 1/10W	M2X1
R308			RK73GB2A302J	CHIP R 3.0K J 1/10W		R598			RK73GB2A4R7J	CHIP R 4.7 J 1/10W	
R309			RK73GB2A623J	CHIP R 62K J 1/10W		R600			RK73EB2E200J	CHIP R 20 J 1/4W	
R310			RK73GB2A222J	CHIP R 2.2K J 1/10W		R601			RK73EB2E100J	CHIP R 10 J 1/4W	
R311			RK73GB2A000J	CHIP R 0.0 J 1/10W		R602			RK73EB2E200J	CHIP R 20 J 1/4W	
R312,313			RK73GB2A473J	CHIP R 47K J 1/10W		R603			RK73EB2E102J	CHIP R 1.0K J 1/4W	
R314			RK73GB2A222J	CHIP R 2.2K J 1/10W		R604			RK73EB2E101J	CHIP R 100 J 1/4W	
R315			RK73GB2A682J	CHIP R 6.8K J 1/10W		R605			RK73EB2E102J	CHIP R 1.0K J 1/4W	
R316			RK73GB2A104J	CHIP R 100K J 1/10W		R606-608			RK73EB2E101J	CHIP R 100 J 1/4W	
R317			RK73GB2A473J	CHIP R 47K J 1/10W		R609,610			RK73EB2E102J	CHIP R 1.0K J 1/4W	
R318			RK73GB2A682J	CHIP R 6.8K J 1/10W		R611			RK73EB2E101J	CHIP R 100 J 1/4W	
R319			RK73GB2A104J	CHIP R 100K J 1/10W		R612			RK73GB2A100J	CHIP R 10 J 1/10W	
R320			RK73GB2A473J	CHIP R 47K J 1/10W		R613			RK73GB2A750J	CHIP R 75 J 1/10W	
R321			RK73GB2A222J	CHIP R 2.2K J 1/10W		R614			RK73GB2A473J	CHIP R 47K J 1/10W	

E1: DNX9240BT E2: DDX8024BT (Europe) Q1: DDX8054BT (Russian)  
 K: DNX9140 K1: DDX814 (North America)  
 X1: DDX8034BT (Australia) R1: DDX8034BT (Latin America)  
 M1: DDX8034BT M2: DDX8034BTM (Other Areas)

△ Indicates safety critical components.

# PARTS LIST

## ELECTRIC UNIT (X34-651x-xx)

Ref. No.	A d d	N e w	Parts No.	Description	Desti- nation	Ref. No.	A d d	N e w	Parts No.	Description	Desti- nation
R615			RK73GB2A000J	CHIP R 0.0 J 1/10W	E1E2Q1	R847,848			RK73HB1J101J	CHIP R 100 J 1/16W	
R615			RK73GB2A000J	CHIP R 0.0 J 1/10W	M1M2X1	R849			RK73GB2A000J	CHIP R 0.0 J 1/10W	
R616			RK73GB2A473J	CHIP R 47K J 1/10W	KK1R1	R850			RK73HB1J104J	CHIP R 100K J 1/16W	
R617			RK73GB2A101J	CHIP R 100 J 1/10W	KK1R1	R851,852			RK73HB1J103J	CHIP R 10K J 1/16W	
R618-620			RK73GB2A100J	CHIP R 10 J 1/10W		R853,854			RK73HB1J822J	CHIP R 8.2K J 1/16W	
R650,651			RK73EB2E200J	CHIP R 20 J 1/4W	KK1R1	R855,856			RK73HB1J472J	CHIP R 4.7K J 1/16W	
R652			RK73EB2E100J	CHIP R 10 J 1/4W	KK1R1	R857-860			RK73HB1J332J	CHIP R 3.3K J 1/16W	
R653,654			RK73EB2E102J	CHIP R 1.0K J 1/4W	KK1R1	R861-864			RK73HB1J103J	CHIP R 10K J 1/16W	
R655			RK73GB2A473J	CHIP R 47K J 1/10W		R866-868			RK73HB1J1R0J	CHIP R 1.0 J 1/16W	
R656,657			RK73GB2A103J	CHIP R 10K J 1/10W	KK1R1	R869			RK73GB2A000J	CHIP R 0.0 J 1/10W	
R658			RK73HB1J472J	CHIP R 4.7K J 1/16W	KK1R1	R870			RK73HB1J104J	CHIP R 100K J 1/16W	
R659			RK73GB2A472J	CHIP R 4.7K J 1/10W	KK1R1	R871,872			RK73HB1J103J	CHIP R 10K J 1/16W	
R661-663			RK73EB2E101J	CHIP R 100 J 1/4W	KK1R1	R873,874			RK73HB1J822J	CHIP R 8.2K J 1/16W	
R664-666			RK73GB2A103J	CHIP R 10K J 1/10W	KK1R1	R875,876			RK73HB1J472J	CHIP R 4.7K J 1/16W	
R667-669			RK73GB2A100J	CHIP R 10 J 1/10W	KK1R1	R877			RK73GB2A473J	CHIP R 47K J 1/10W	
R670			RK73GB2A223J	CHIP R 22K J 1/10W	KK1R1	R878			RK73HB1J1R0J	CHIP R 1.0 J 1/16W	
R673			RK73HB1J103J	CHIP R 10K J 1/16W	KK1R1	R879			RK73GB2A104J	CHIP R 100K J 1/10W	
R701,702			RK73EB2E100J	CHIP R 10 J 1/4W		R880			RK73HB1J104J	CHIP R 100K J 1/16W	
R703			RK73EB2E4R7J	CHIP R 4.7 J 1/4W		R881			RK73HB1J103J	CHIP R 10K J 1/16W	
R705,706			RK73GB2A223J	CHIP R 22K J 1/10W		R882,883			RK73HB1J822J	CHIP R 8.2K J 1/16W	
R707			RK73GB2A202J	CHIP R 2.0K J 1/10W		R884			RK73HB1J153J	CHIP R 15K J 1/16W	
R709,710			RK73EB2E101J	CHIP R 100 J 1/4W		R885			RK73HB1J472J	CHIP R 4.7K J 1/16W	
R711			RK73GB2A680J	CHIP R 68 J 1/10W		R886			RK73HB1J123J	CHIP R 12K J 1/16W	
R722,723			RK73GB2A000J	CHIP R 0.0 J 1/10W		R887			RK73GB2A473J	CHIP R 47K J 1/10W	
R725			RK73EB2E4R7J	CHIP R 4.7 J 1/4W		R888			RK73HB1J1R0J	CHIP R 1.0 J 1/16W	
R726			RK73GB2A000J	CHIP R 0.0 J 1/10W		R891,892			RK73GB2A103J	CHIP R 10K J 1/10W	
R728-730			RK73GB2A000J	CHIP R 0.0 J 1/10W	KK1R1	R893			RK73GB2A101J	CHIP R 100 J 1/10W	
R728-730			RK73GB2A000J	CHIP R 0.0 J 1/10W	E2Q1M1	R894			RK73HB1J000J	CHIP R 0.0 J 1/16W	
R728-730			RK73GB2A000J	CHIP R 0.0 J 1/10W	M2X1	R895,896			RK73HB1J301J	CHIP R 300 J 1/16W	
R732-734			RK73GB2A000J	CHIP R 0.0 J 1/10W	KK1R1	R897			RK73GB2A473J	CHIP R 47K J 1/10W	
R732-734			RK73GB2A000J	CHIP R 0.0 J 1/10W	E2Q1M1	R900			RK73GB2A000J	CHIP R 0.0 J 1/10W	
R732-734			RK73GB2A000J	CHIP R 0.0 J 1/10W	M2X1	R901			RK73GB2A100J	CHIP R 10 J 1/10W	
R798,799			RK73GB2A100J	CHIP R 10 J 1/10W		R905			RK73GB2A333J	CHIP R 33K J 1/10W	
R800			RK73GB2A104J	CHIP R 100K J 1/10W		R906			RK73GB2A123J	CHIP R 12K J 1/10W	
R801-804			RK73EB2E101J	CHIP R 100 J 1/4W		R907			RK73GB2A300J	CHIP R 30 J 1/10W	
R805			RK73GB2A103J	CHIP R 10K J 1/10W		R908			RK73GB2A223J	CHIP R 22K J 1/10W	
R806			RK73GB2A511J	CHIP R 510 J 1/10W		R909			RK73GB2A221J	CHIP R 220 J 1/10W	
R807-810			RK73HB1J101J	CHIP R 100 J 1/16W		R910			RK73GB2A822J	CHIP R 8.2K J 1/10W	
R811-813			RK73GB2A1R0J	CHIP R 1.0 J 1/10W		R911-914			RK73GB2A820J	CHIP R 82 J 1/10W	
R814			RK73HB1J101J	CHIP R 100 J 1/16W		R915			RK73GB2A473J	CHIP R 47K J 1/10W	
R815			RK73GB2A471J	CHIP R 470 J 1/10W		R951			RK73HB1J471J	CHIP R 470 J 1/16W	
R816,817			RK73HB1J101J	CHIP R 100 J 1/16W		R952			RK73GB2A471J	CHIP R 470 J 1/10W	
R818,819			RK73GB2A4R7J	CHIP R 4.7 J 1/10W		D1			RM30LF014-102	DIODE	
R820			RK73GB2A470J	CHIP R 47 J 1/10W		D2 -4			1SS355	DIODE	
R821-831			RK73HB1J101J	CHIP R 100 J 1/16W		D5			UDZW6.2(B)	ZENER DIODE	
R832			RK73GB2A000J	CHIP R 0.0 J 1/10W		D6			1SS355	DIODE	
R835-837			RK73GB2A000J	CHIP R 0.0 J 1/10W		D7			UDZW6.2(B)	ZENER DIODE	
R838			RK73EB2E4R7J	CHIP R 4.7 J 1/4W		D8 ,9			M1F60-6063	DIODE	
R839			RK73GH2A183D	CHIP R 18K D 1/10W		D10			1SS355	DIODE	
R840,841			RK73HB1J103J	CHIP R 10K J 1/16W		D11 ,12			M1F60-6063	DIODE	
R842			RK73GB2A680J	CHIP R 68 J 1/10W		D13			UDZW4.7(B)	ZENER DIODE	
R843			RK73GB2A471J	CHIP R 470 J 1/10W		D103			EP05Q04	DIODE	
R844			RK73HB1J101J	CHIP R 100 J 1/16W		D104			UDZW6.8(B)	ZENER DIODE	
R845			RK73HB1J102J	CHIP R 1.0K J 1/16W		D301			DA204U	DIODE	
R846			RK73HB1J105J	CHIP R 1.0M J 1/16W							

E1: DNX9240BT E2: DDX8024BT (Europe) Q1: DDX8054BT (Russian)

K: DNX9140 K1: DDX814 (North America)

X1: DDX8034BT (Australia) R1: DDX8034BT (Latin America)

M1: DDX8034BT M2: DDX8034BTM (Other Areas)

△Indicates safety critical components.

# PARTS LIST

## ELECTRIC UNIT (X34-651x-xx)

Ref. No.	Add	New	Parts No.	Description	Destination
D401-403 D404,405 D601-608 D609 D610,611			DAP202U 1SS355 UDZW6.2(B) CVS10A120M UDZW6.2(B)	DIODE DIODE ZENER DIODE VARISTOR ZENER DIODE	
D612,613 D650,651 D652 D653 D654			UDZW6.8(B) UDZW6.8(B) UDZW6.2(B) CVS10A180M 1SS355	ZENER DIODE ZENER DIODE ZENER DIODE VARISTOR DIODE	KK1R1 KK1R1 KK1R1 KK1R1
D657,658 D662,663 D701,702 D703-705 D801			UDZW6.2(B) CVS10A180M CVL10C270M300 CVS10A120M CRS04	ZENER DIODE VARISTOR VARISTOR VARISTOR DIODE	KK1R1 KK1R1
D901 D902 IC101-104 IC106,107 IC151			DAP202U 1SS355 M5237ML-CF0J XC6201P502PR LB1836M-TLM-E	DIODE DIODE ANALOGUE IC ANALOGUE IC ANALOGUE IC	
IC401 IC451 IC481 IC482 IC500			E-TDA7415CB AN15887A-VTU HEF4053BT MM1508XNRE-E E-TDA7478AD	ANALOGUE IC ANALOGUE IC MOS-IC ANALOGUE IC ANALOGUE IC	KK1R1 KE1 KE1K1
IC500 IC500 IC600 IC651 IC801			E-TDA7478AD E-TDA7478AD 74AHCT1G08GW 74AHCT08PW DSPC56371AF17	ANALOGUE IC ANALOGUE IC MOS-IC MOS-IC MOS-IC	R1E2Q1 M1M2 KK1R1 KK1R1
IC802 IC803 IC804 IC805 IC807			AK4586VQP TC7WHU04FU-F S-1132B33U5T1G E-LD1117DTC NJM4565V-ZB	MOS-IC MOS-IC ANALOGUE IC ANALOGUE IC ANALOGUE IC	
IC808 IC811-814 IC815 IC901 Q1			74AHCT1G08GW NJM4580V-ZB NJM2123V-ZB E-TDA7850A DTC124EUA	MOS-IC ANALOGUE IC ANALOGUE IC ANALOGUE IC DIGITAL TRANSISTOR	
Q2 Q3 Q4 Q5 Q6			2SA1576A DTC124EUA 2SC4081 2SB1188(Q,R) 2SA1576A	TRANSISTOR DIGITAL TRANSISTOR TRANSISTOR TRANSISTOR TRANSISTOR	
Q7 Q8 Q9 Q9 Q10			DTA114EUA DTC143ZUA 2SB1188(R) 2SB1188(R) 2SC4081	DIGITAL TRANSISTOR DIGITAL TRANSISTOR TRANSISTOR TRANSISTOR TRANSISTOR	KK1R1 M1M2X1 KK1R1
Q10 Q101 Q102 Q103 Q104			2SC4081 DTC124EUA DTA124EUA DTC124EUA DTA124EUA	TRANSISTOR DIGITAL TRANSISTOR DIGITAL TRANSISTOR DIGITAL TRANSISTOR DIGITAL TRANSISTOR	M1M2X1

Ref. No.	Add	New	Parts No.	Description	Destination
Q105 Q106 Q107 Q108 Q109			KTA1046-P DTC124EUA 2SB1689 DTC143ZUA DTC124EUA	TRANSISTOR DIGITAL TRANSISTOR TRANSISTOR DIGITAL TRANSISTOR DIGITAL TRANSISTOR	KK1R1
Q110 Q111 Q112 Q113 Q114			DTA124EUA TPC8110-F DTC124EUA DTA124EUA 2SB1184(Q,R)	DIGITAL TRANSISTOR FET DIGITAL TRANSISTOR DIGITAL TRANSISTOR TRANSISTOR	KK1R1
Q115 Q116 Q117 Q118 Q119			DTC124EUA DTA124EUA 2SB1449(R)-E KTA1046-P 2SC4081	DIGITAL TRANSISTOR DIGITAL TRANSISTOR TRANSISTOR TRANSISTOR TRANSISTOR	
Q120 Q301-305 Q306 Q307 Q308			2SB1184(Q,R) 2SC4081 2SA1576A 2SC4081 2SA1576A	TRANSISTOR TRANSISTOR TRANSISTOR TRANSISTOR TRANSISTOR	
Q481 Q500 Q501 Q650,651 Q653,654			DTC144EUA DTC143ZUA 2SA1577 2SC4081 DTC144EUA	DIGITAL TRANSISTOR DIGITAL TRANSISTOR TRANSISTOR TRANSISTOR DIGITAL TRANSISTOR	KK1R1 KK1R1 KK1R1
Q656,657 Q659 Q660 Q801 TH901			DTC143ZUA DTC143ZUA DTC114TUA DTC144EUA PRF18BE471QS2	DIGITAL TRANSISTOR DIGITAL TRANSISTOR DIGITAL TRANSISTOR DIGITAL TRANSISTOR POSITIVE RESISTOR	
A500 A500 A500 A500 A501			X86-4030-11 X86-4030-11 X86-4032-70 X86-4032-70 X89-3062-72	FRONT-END UNIT FRONT-END UNIT FRONT-END UNIT FRONT-END UNIT DAUGHTER UNIT	KK1R1 X1 E1E2Q1 M1M2 E1
<b>VIDEO UNIT (X35-5010-11)</b>					
C1 C2 C3 C4 C5 -8			CK73GB1H103K CK73GB1H104K CK73EB1E106K C93-1383-05 CK73GB1A105K	CHIP C CHIP C CHIP C CHIP C CHIP C	0.010UF K 0.10UF K 10UF K 220PF F 1.0UF K
C11 C12 C13 C14 ,15 C16			C92-2018-05 CK73GB1H103K CK73GB1H104K CK73HB1C333K CK73HB1E103K	ELECTRO CHIP C CHIP C CHIP C CHIP C	82UF 6.3WV 0.010UF K 0.10UF K 0.033UF K 0.010UF K
C17 ,18 C19 C20 C21 C22 -24			CC73HCH1H101J CK73HB1A683K CK73HB1E103K CK73HB1C333K CC73HCH1H221J	CHIP C CHIP C CHIP C CHIP C CHIP C	100PF J 0.068UF K 0.010UF K 0.033UF K 220PF J
C25 -28 C29 C30 C31			CC73HCH1H101J CC73HCH1H471J C93-1509-05 CK73HB0J474K	CHIP C CHIP C CHIP C CHIP C	100PF J 470PF J 100PF F 0.47UF K

E1: DNX9240BT E2: DDX8024BT (Europe) Q1: DDX8054BT (Russian)  
K: DNX9140 K1: DDX814 (North America)  
X1: DDX8034BT (Australia) R1: DDX8034BT (Latin America)  
M1: DDX8034BT M2: DDX8034BTM (Other Areas)

△ Indicates safety critical components.

# PARTS LIST

## VIDEO UNIT (X35-5010-11)

Ref. No.	A d d	N e w	Parts No.	Description	Desti- nation	Ref. No.	A d d	N e w	Parts No.	Description	Desti- nation
C33 -35			CK73HB1E103K	CHIP C 0.010UF K		C116,117			CK73GB1H103K	CHIP C 0.010UF K	
C36			CK73HB1A104K	CHIP C 0.10UF K		C118,119			CK73GB1H104K	CHIP C 0.10UF K	
C37			CK73GB0J106M	CHIP C 10UF M		C120			CK73GB1H103K	CHIP C 0.010UF K	
C38			CK73HB0J105K	CHIP C 1.0UF K		C121			CK73GB1H104K	CHIP C 0.10UF K	
C39			CK73GB0J225K	CHIP C 2.2UF K		C122			CK73GB1H103K	CHIP C 0.010UF K	
C40			CK73EB1E105K	CHIP C 1.0UF K		C123			CK73FB1E475K	CHIP C 4.7UF K	
C41 ,42			CK73GB1H103K	CHIP C 0.010UF K		C124-127			CK73EB1E106K	CHIP C 10UF K	
C43			CK73HB1E103K	CHIP C 0.010UF K		C128			CK73GB1A105K	CHIP C 1.0UF K	
C44 ,45			CK73GB1H104K	CHIP C 0.10UF K		C129			CK73FB1C106K	CHIP C 10UF K	
C46			CK73HB0J474K	CHIP C 0.47UF K		C130			CK73FB1E475K	CHIP C 4.7UF K	
C47 ,48			CK73GB0J106M	CHIP C 10UF M		C131			CK73FB0J226M	CHIP C 22UF M	
C49			CK73HB0J474K	CHIP C 0.47UF K		C132			CK73FB1E475K	CHIP C 4.7UF K	
C50 ,51			CK73GB1H103K	CHIP C 0.010UF K		C133			CK73GB0J106M	CHIP C 10UF M	
C52 ,53			CK73GB1H104K	CHIP C 0.10UF K		C201			CK73HB1A104K	CHIP C 0.10UF K	
C54			CK73HB1E103K	CHIP C 0.010UF K		C202			CC73HCH1H330J	CHIP C 33PF J	
C55 ,56			CK73GB0J106M	CHIP C 10UF M		C203			CK73HB1A104K	CHIP C 0.10UF K	
C57			CK73FB1C105K	CHIP C 1.0UF K		C204			CK73GB1A105K	CHIP C 1.0UF K	
C58			CC73GCH1H102J	CHIP C 1000PF J		C205,206			CK73HB1A104K	CHIP C 0.10UF K	
C59			C93-1383-05	CHIP C 220PF F		C207			CK73GB0J106M	CHIP C 10UF M	
C60			CK73HB1H472K	CHIP C 4700PF K		C208-213			CK73HB1A104K	CHIP C 0.10UF K	
C61			CK73HB1A104K	CHIP C 0.10UF K		C215,216			CK73HB1A104K	CHIP C 0.10UF K	
C62			CK73HB0J105K	CHIP C 1.0UF K		C217			CK73EB1E105K	CHIP C 1.0UF K	
C63			CK73HB0J474K	CHIP C 0.47UF K		C218-220			CK73HB1A104K	CHIP C 0.10UF K	
C64			CK73HB1E103K	CHIP C 0.010UF K		C221			CK73GB0J106M	CHIP C 10UF M	
C65 -67			CC73GCH1H102J	CHIP C 1000PF J		C222			CK73HB1A104K	CHIP C 0.10UF K	
C68			CK73HB1E223K	CHIP C 0.022UF K		C223			CK73EB1E105K	CHIP C 1.0UF K	
C69 ,70			CK73GB1H103K	CHIP C 0.010UF K		C224			CK73HB1A104K	CHIP C 0.10UF K	
C71			CK73GB1H104K	CHIP C 0.10UF K		C225			CK73GB0J106M	CHIP C 10UF M	
C72 ,73			CC73GCH1H102J	CHIP C 1000PF J		C226-235			CK73HB1A104K	CHIP C 0.10UF K	
C74			CK73GB1H104K	CHIP C 0.10UF K		C236			CK73HB1E103K	CHIP C 0.010UF K	
C75			C92-2017-05	ELECTRO 100UF 4WV		C237,238			CK73HB1A104K	CHIP C 0.10UF K	
C76 ,77			CC73GCH1H102J	CHIP C 1000PF J		C239-245			CK73HB1E103K	CHIP C 0.010UF K	
C78 ,79			CK73FB1C106K	CHIP C 10UF K		C246			CK73GB0J106M	CHIP C 10UF M	
C80 ,81			CK73GB1H103K	CHIP C 0.010UF K		C247			CK73HB1A104K	CHIP C 0.10UF K	
C82			CK73FB1C106K	CHIP C 10UF K		C249			CK73GB0J106M	CHIP C 10UF M	
C83 ,84			CK73GB1H104K	CHIP C 0.10UF K		C250-254			CK73HB1A104K	CHIP C 0.10UF K	
C85			C92-2020-05	ELECTRO 33UF 16WV		C255			CC73HCH1H150J	CHIP C 15PF J	
C86 -88			CK73EB1E106K	CHIP C 10UF K		C256			CK73GB0J106M	CHIP C 10UF M	
C89 -92			C93-1283-05	CHIP C 1.0UF K		C257			CC73HCH1H180J	CHIP C 18PF J	
C95			CK73FB0J226M	CHIP C 22UF M		C258-264			CK73HB1A104K	CHIP C 0.10UF K	
C96			CK73FB1E475K	CHIP C 4.7UF K		C265,266			CK73FB0J226M	CHIP C 22UF M	
C97			CK73FB1C106K	CHIP C 10UF K		C267-273			CK73HB1A104K	CHIP C 0.10UF K	
C98			CK73EB1E106K	CHIP C 10UF K		C274,275			CK73FB0J226M	CHIP C 22UF M	
C99			C93-1458-05	CHIP C 1500PF F		C276			CK73GB0J106M	CHIP C 10UF M	
C101			CK73EB1E106K	CHIP C 10UF K		C277-279			CC73HCH1H101J	CHIP C 100PF J	
C103			C93-1273-05	CHIP C 15PF J		C281,282			CK73HB1E103K	CHIP C 0.010UF K	
C104			C93-1465-05	CHIP C 0.015U F		C283-285			CK73GB0J106M	CHIP C 10UF M	
C105			CK73EB1E106K	CHIP C 10UF K		C286-288			CK73FB0J226M	CHIP C 22UF M	
C107			CK73FB0J226M	CHIP C 22UF M		C289			CK73GB0J106M	CHIP C 10UF M	
C108,109			CK73FB1C106K	CHIP C 10UF K		C290			CK73HB1E103K	CHIP C 0.010UF K	
C110,111			CK73EB1E106K	CHIP C 10UF K		C291			CK73HB1A104K	CHIP C 0.10UF K	
C112			CK73GB1H104K	CHIP C 0.10UF K		C292			CK73HB1E103K	CHIP C 0.010UF K	
C113			CK73GB1H103K	CHIP C 0.010UF K		C293			CK73HB1A104K	CHIP C 0.10UF K	
C114			CK73EB1E106K	CHIP C 10UF K		C294			CK73HB1E103K	CHIP C 0.010UF K	
C115			CK73FB1E475K	CHIP C 4.7UF K		C295			CK73GB1H104K	CHIP C 0.10UF K	

**E1:** DNX9240BT **E2:** DDX8024BT (Europe) **Q1:** DDX8054BT (Russian)  
**K:** DNX9140 **K1:** DDX814 (North America)  
**X1:** DDX8034BT (Australia) **R1:** DDX8034BT (Latin America)  
**M1:** DDX8034BT **M2:** DDX8034BTM (Other Areas)

△Indicates safety critical components.



# PARTS LIST

## VIDEO UNIT (X35-5010-11)

Ref. No.	Add	New	Parts No.	Description	Destination	Ref. No.	Add	New	Parts No.	Description	Destination
C296			CK73HB1E103K	CHIP C 0.010UF K		L200		*	L41-2281-15	SMALL FIXED INDUCTOR (220NH)	
C297			CK73GB1H104K	CHIP C 0.10UF K		L201-203			L41-1005-39	SMALL FIXED INDUCTOR (10U)	
C298			CK73HB1E103K	CHIP C 0.010UF K		L205			L41-1005-39	SMALL FIXED INDUCTOR (10U)	
C299			CK73HB1A104K	CHIP C 0.10UF K		L207-212			L41-1005-39	SMALL FIXED INDUCTOR (10U)	
C300			CK73HB1E103K	CHIP C 0.010UF K		L214			L41-1005-39	SMALL FIXED INDUCTOR (10U)	
C301			CK73GB1H104K	CHIP C 0.10UF K		L215			L92-0364-05	CHIP FERRITE	
C391-397			CC73HCH1H102J	CHIP C 1000PF J		L216,217			L92-0319-05	CHIP FERRITE	
C398			CK73HB1A104K	CHIP C 0.10UF K		L218,219			L41-1005-39	SMALL FIXED INDUCTOR (10U)	
C399			CK73GB0J106M	CHIP C 10UF M		L220,221			L92-0319-05	CHIP FERRITE	
C404			CK73FB1C106K	CHIP C 10UF K		L222			L41-1005-39	SMALL FIXED INDUCTOR (10U)	
C406			CC73HCH1H560J	CHIP C 56PF J		L224-229			L92-0378-05	CHIP FERRITE	
C407			CK73FB1C106K	CHIP C 10UF K		L230-247		*	L92-0634-15	CHIP FERRITE	
C408			CK73HB1E103K	CHIP C 0.010UF K		L248			L92-0667-05	CHIP FERRITE	
C409			CK73FB1C106K	CHIP C 10UF K		L249,250			L92-0668-05	CHIP FERRITE	
C410			CK73HB1E103K	CHIP C 0.010UF K		L401-405			L41-1005-39	SMALL FIXED INDUCTOR (10U)	
C411,412			CK73FB1C106K	CHIP C 10UF K		L600			L41-1005-39	SMALL FIXED INDUCTOR (10U)	
C413			CK73GB1H104K	CHIP C 0.10UF K		X200			L77-2996-05	CRYSTAL RESONATOR (14.31818MHZ)	
C414			CK73HB1H472K	CHIP C 4700PF K		CP200			RK74HB1J101J	CHIP-COM 100 J 1/16W	
C415			CK73FB1C106K	CHIP C 10UF K		CP201-206		*	RK74HB1J121J	CHIP-COM 120 J 1/16W	
C416			CK73GB0J106M	CHIP C 10UF M		CP207-211			RK74HB1J101J	CHIP-COM 100 J 1/16W	
C417			CK73HB1E103K	CHIP C 0.010UF K		CP212-215			RK74HB1J560J	CHIP-COM 56 J 1/16W	
C418			CK73GB0J106M	CHIP C 10UF M		CP217-220			RK74HB1J820J	CHIP-COM 82 J 1/16W	
C419			CK73HB1E103K	CHIP C 0.010UF K		R1			RK73GH2A301D	CHIP R 300 D 1/10W	
C500			CK73FB0J106K	CHIP C 10UF K		R2			RK73HH1J434D	CHIP R 430K D 1/16W	
C501,502			CK73HB1E103K	CHIP C 0.010UF K		R3			RK73HB1J103J	CHIP R 10K J 1/16W	
C600			CK73GB1H103K	CHIP C 0.010UF K		R4			RK73HH1J104D	CHIP R 100K D 1/16W	
C603			CK73FB0J226M	CHIP C 22UF M		R5			RK73GH2A752D	CHIP R 7.5K D 1/10W	
C700			CC73HCH1H101J	CHIP C 100PF J		R7			RK73HB1J100J	CHIP R 10 J 1/16W	
C701,702			CK73GB0J106M	CHIP C 10UF M		R8			RK73EB2E100J	CHIP R 10 J 1/4W	
C703			CK73FB0J226M	CHIP C 22UF M		R9 ,10			RK73HB1J101J	CHIP R 100 J 1/16W	
C704-710			CC73HCH1H151J	CHIP C 150PF J		R11 ,12			RK73FB2B000J	CHIP R 0.0 J 1/8W	
C711			CK73HB1A104K	CHIP C 0.10UF K		R13			RK73HH1J303D	CHIP R 30K D 1/16W	
C712			CC73HCH1H102J	CHIP C 1000PF J		R14			RK73HH1J203D	CHIP R 20K D 1/16W	
C713			CK73GB0J106M	CHIP C 10UF M		R15			RK73HH1J123D	CHIP R 12K D 1/16W	
CN1			E41-2985-05	FLAT CABLE CONNECTOR		R16			RK73HH1J302D	CHIP R 3.0K D 1/16W	
CN2			E41-2642-05	PIN ASSY		R17			RK73HB1J303J	CHIP R 30K J 1/16W	
CN202			E41-2812-05	FLAT CABLE CONNECTOR		R18			RK73HB1J162J	CHIP R 1.6K J 1/16W	
CN500			E41-2088-05	FLAT CABLE CONNECTOR		R19 ,20			RK73HB1J103J	CHIP R 10K J 1/16W	
CN600			E41-3102-05	FLAT CABLE CONNECTOR		R22			RK73HB1J473J	CHIP R 47K J 1/16W	
J1 ,2			E04-0433-05	RF COAXIAL CABLE RECEPTACLE		R23			RK73HB1J102J	CHIP R 1.0K J 1/16W	
L1			L33-2370-05	CHOKE COIL		R24			RK73FB2B000J	CHIP R 0.0 J 1/8W	
L2			L33-2520-05	CHOKE COIL		R25			RK73HB1J203J	CHIP R 20K J 1/16W	
L3			L33-2369-05	CHOKE COIL		R27			RK73HH1J563D	CHIP R 56K D 1/16W	
L4 -6			L33-2517-05	CHOKE COIL		R28			RK73HH1J682D	CHIP R 6.8K D 1/16W	
L7			L33-2513-05	CHOKE COIL		R29			RK73HH1J333D	CHIP R 33K D 1/16W	
L8			L33-2534-05	CHOKE COIL		R30			RK73HH1J513D	CHIP R 51K D 1/16W	
L9			L33-2514-05	CHOKE COIL		R31			RK73HH1J683D	CHIP R 68K D 1/16W	
L10			L33-2351-05	CHOKE COIL		R32			RK73HH1J163D	CHIP R 16K D 1/16W	
L11			L41-1005-39	SMALL FIXED INDUCTOR (10U)		R33			RK73HH1J513D	CHIP R 51K D 1/16W	
L12			L92-0319-05	CHIP FERRITE		R34 -38			RK73HB1J000J	CHIP R 0.0 J 1/16W	
L13			L41-1005-39	SMALL FIXED INDUCTOR (10U)		R39			RK73HB1J103J	CHIP R 10K J 1/16W	
L14			L19-0788-05	TRANSFORMER FOR CONVERTER		R40			RK73HB1J682J	CHIP R 6.8K J 1/16W	
L15			L33-2454-05	CHOKE COIL		R41			RK73HB1J103J	CHIP R 10K J 1/16W	
L16 ,17			L41-1005-39	SMALL FIXED INDUCTOR (10U)		R43			RK73HB1J103J	CHIP R 10K J 1/16W	

E1: DNX9240BT E2: DDX8024BT (Europe) Q1: DDX8054BT (Russian)  
K: DNX9140 K1: DDX814 (North America)  
X1: DDX8034BT (Australia) R1: DDX8034BT (Latin America)  
M1: DDX8034BT M2: DDX8034BTM (Other Areas)

△ Indicates safety critical components.

# PARTS LIST

## VIDEO UNIT (X35-5010-11)

Ref. No.	A d d	N e w	Parts No.	Description	Desti- nation	Ref. No.	A d d	N e w	Parts No.	Description	Desti- nation
R45			RK73EB2E220J	CHIP R 22 J 1/4W		R200,201			RK73HB1J101J	CHIP R 100 J 1/16W	
R46			RK73HB1J103J	CHIP R 10K J 1/16W		R202			RK73HB1J330J	CHIP R 33 J 1/16W	
R47 ,48			RK73HB1J220J	CHIP R 22 J 1/16W		R203			RK73HB1J472J	CHIP R 4.7K J 1/16W	
R50			RK73HB1J101J	CHIP R 100 J 1/16W		R206			RK73HB1J330J	CHIP R 33 J 1/16W	
R51			RK73HB1J103J	CHIP R 10K J 1/16W		R207			RK73HB1J100J	CHIP R 10 J 1/16W	
R52			RK73HB1J512J	CHIP R 5.1K J 1/16W		R208			RK73HB1J472J	CHIP R 4.7K J 1/16W	
R53 ,54			RK73HB1J220J	CHIP R 22 J 1/16W		R209			RK73HB1J560J	CHIP R 56 J 1/16W	
R55			RK73HB1J512J	CHIP R 5.1K J 1/16W		R211			RK73HB1J000J	CHIP R 0.0 J 1/16W	
R56			RK73HB1J563J	CHIP R 56K J 1/16W		R214,215			RK73HB1J101J	CHIP R 100 J 1/16W	
R57			RK73HB1J363J	CHIP R 36K J 1/16W		R216,217			RK73HB1J330J	CHIP R 33 J 1/16W	
R58			RK73HB1J512J	CHIP R 5.1K J 1/16W		R218-223			RK73HB1J101J	CHIP R 100 J 1/16W	
R59			RK73HB1J123J	CHIP R 12K J 1/16W		R227			RK73HB1J103J	CHIP R 10K J 1/16W	
R60			RK73GH2A301D	CHIP R 300 D 1/10W		R231			RK73HB1J103J	CHIP R 10K J 1/16W	
R61			RK73HB1J100J	CHIP R 10 J 1/16W		R232			RK73HB1J123J	CHIP R 12K J 1/16W	
R62			RK73EB2E100J	CHIP R 10 J 1/4W		R234			RK73HB1J103J	CHIP R 10K J 1/16W	
R63			RK73HB1J103J	CHIP R 10K J 1/16W		R236-245			RK73HB1J103J	CHIP R 10K J 1/16W	
R64			RK73HB1J105J	CHIP R 1.0M J 1/16W		R246			RK73HB1J000J	CHIP R 0.0 J 1/16W	
R65			RK73EB2E100J	CHIP R 10 J 1/4W		R247			RK73HB1J101J	CHIP R 100 J 1/16W	
R66 -69			RK73HB1J220J	CHIP R 22 J 1/16W		R249			RK73HB1J000J	CHIP R 0.0 J 1/16W	
R70			RK73HH1J274D	CHIP R 270K D 1/16W		R250			RK73HB1J101J	CHIP R 100 J 1/16W	
R71			RK73HH1J273D	CHIP R 27K D 1/16W		R251			RK73HB1J000J	CHIP R 0.0 J 1/16W	
R72 ,73			RK73EB2E100J	CHIP R 10 J 1/4W		R253-255			RK73HB1J103J	CHIP R 10K J 1/16W	
R74			RK73HH1J363D	CHIP R 36K D 1/16W		R256			RK73HH1J153D	CHIP R 15K D 1/16W	
R79			RK73HH1J243D	CHIP R 24K D 1/16W		R257			RK73HH1J123D	CHIP R 12K D 1/16W	
R80			RK73HB1J302J	CHIP R 3.0K J 1/16W		R258			RK73HB1J103J	CHIP R 10K J 1/16W	
R82			RK73HH1J681D	CHIP R 680 D 1/16W		R260			RK73HH1J123D	CHIP R 12K D 1/16W	
R83			RK73HB1J272J	CHIP R 2.7K J 1/16W		R261			RK73HH1J273D	CHIP R 27K D 1/16W	
R84			RK73HB1J332J	CHIP R 3.3K J 1/16W		R262			RK73HB1J103J	CHIP R 10K J 1/16W	
R85			RK73HH1J912D	CHIP R 9.1K D 1/16W		R266			RK73HB1J104J	CHIP R 100K J 1/16W	
R87			RK73HB1J272J	CHIP R 2.7K J 1/16W		R267			RK73HB1J472J	CHIP R 4.7K J 1/16W	
R88			RK73HH1J153D	CHIP R 15K D 1/16W		R268			RK73HH1J102D	CHIP R 1.0K D 1/16W	
R89			RK73HH1J622D	CHIP R 6.2K D 1/16W		R269			RK73HB1J472J	CHIP R 4.7K J 1/16W	
R90			RK73HB1J000J	CHIP R 0.0 J 1/16W		R270			RK73HH1J102D	CHIP R 1.0K D 1/16W	
R91			RK73HH1J621D	CHIP R 620 D 1/16W		R273			RK73HH1J102D	CHIP R 1.0K D 1/16W	
R92			RK73FB2B000J	CHIP R 0.0 J 1/8W		R274			RK73HB1J000J	CHIP R 0.0 J 1/16W	
R93			RK73EB2E2R2J	CHIP R 2.2 J 1/4W		R275			RK73HH1J303D	CHIP R 30K D 1/16W	
R94 ,95			RK73FB2B000J	CHIP R 0.0 J 1/8W		R278			RK73GB2A000J	CHIP R 0.0 J 1/10W	
R96			RK73GB2A000J	CHIP R 0.0 J 1/10W		R279			RK73HB1J101J	CHIP R 100 J 1/16W	
R98			RK73FB2B000J	CHIP R 0.0 J 1/8W		R280			RK73HB1J102J	CHIP R 1.0K J 1/16W	
R99 ,100			RK73GB2A000J	CHIP R 0.0 J 1/10W		R281			RK73HB1J105J	CHIP R 1.0M J 1/16W	
R102			RK73HB1J103J	CHIP R 10K J 1/16W		R282		*	RK73HH1J240D	CHIP R 24 D 1/16W	
R103			RK73HB1J101J	CHIP R 100 J 1/16W		R283			RK73HH1J221D	CHIP R 220 D 1/16W	
R105-107			RK73HB1J000J	CHIP R 0.0 J 1/16W		R284			RK73HH1J820D	CHIP R 82 D 1/16W	
R108			RK73HB1J101J	CHIP R 100 J 1/16W		R285		*	RK73HH1J470D	CHIP R 47 D 1/16W	
R110,111			RK73GB2A000J	CHIP R 0.0 J 1/10W		R286		*	RK73HH1J390D	CHIP R 39 D 1/16W	
R112			RK73HB1J101J	CHIP R 100 J 1/16W		R287		*	RK73HH1J430D	CHIP R 43 D 1/16W	
R113			RK73HB1J102J	CHIP R 1.0K J 1/16W		R288		*	RK73HH1J470D	CHIP R 47 D 1/16W	
R114,115			RK73HB1J103J	CHIP R 10K J 1/16W		R289		*	RK73HH1J680D	CHIP R 68 D 1/16W	
R116			RK73HB1J101J	CHIP R 100 J 1/16W		R290		*	RK73HH1J161D	CHIP R 160 D 1/16W	
R117			RK73HB1J102J	CHIP R 1.0K J 1/16W		R291			RK73HH1J201D	CHIP R 200 D 1/16W	
R118			RK73HB1J103J	CHIP R 10K J 1/16W		R292,293			RK73HH1J100D	CHIP R 10 D 1/16W	
R119			RK73GB2A000J	CHIP R 0.0 J 1/10W		R296,297			RK73HB1J472J	CHIP R 4.7K J 1/16W	
R121,122			RK73GB2A000J	CHIP R 0.0 J 1/10W		R298			RK73HB1J000J	CHIP R 0.0 J 1/16W	
R123			RK73HB1J473J	CHIP R 47K J 1/16W		R320,321			RK73HB1J101J	CHIP R 100 J 1/16W	
R126,127			RK73GB2A000J	CHIP R 0.0 J 1/10W		R323,324			RK73HB1J000J	CHIP R 0.0 J 1/16W	

E1: DNX9240BT E2: DDX8024BT (Europe) Q1: DDX8054BT (Russian)  
K: DNX9140 K1: DDX814 (North America)  
X1: DDX8034BT (Australia) R1: DDX8034BT (Latin America)  
M1: DDX8034BT M2: DDX8034BTM (Other Areas)

△Indicates safety critical components.



# PARTS LIST

## VIDEO UNIT (X35-5010-11)

Ref. No.	Add	New	Parts No.	Description	Destination	Ref. No.	Add	New	Parts No.	Description	Destination
R326,327			RK73HB1J472J	CHIP R 4.7K J 1/16W		D1			1SS355	DIODE	
R328,329			RK73HB1J560J	CHIP R 56 J 1/16W		D2			EC31QS04AG	DIODE	
R330			RK73HB1J470J	CHIP R 47 J 1/16W		D3			MA2S784-F	DIODE	
R331,332			RK73HB1J820J	CHIP R 82 J 1/16W		D4			DAP202U	DIODE	
R333,334			RK73HB1J101J	CHIP R 100 J 1/16W		D5			1SS355	DIODE	
R336			RK73HB1J472J	CHIP R 4.7K J 1/16W		D6			EC31QS04AG	DIODE	
R338-344			RK73HH1J102D	CHIP R 1.0K D 1/16W		D7			EP05Q04	DIODE	
R345			RK73HH1J473D	CHIP R 47K D 1/16W		D8			EP05Q06	DIODE	
R347			RK73HB1J103J	CHIP R 10K J 1/16W		D9			EP05Q04	DIODE	
R348			RK73GB2A000J	CHIP R 0.0 J 1/10W		D10			DA204U	DIODE	
R350			RK73HB1J000J	CHIP R 0.0 J 1/16W		D12			DA204U	DIODE	
R351			RK73HB1J101J	CHIP R 100 J 1/16W		D100			DA204U	DIODE	
R352			RK73EB2E392J	CHIP R 3.9K J 1/4W		D500			DA204U	DIODE	
R353,354			RK73HB1J101J	CHIP R 100 J 1/16W		D501-504			CVS10A120M	VARIATOR	
R355			RK73HB1J103J	CHIP R 10K J 1/16W		D600,601			DA204U	DIODE	
R356			RK73HH1J152D	CHIP R 1.5K D 1/16W		D603,604			CVL10C270M300	VARIATOR	
R404			RK73HH1J392D	CHIP R 3.9K D 1/16W		D607-612			CVS10A120M	VARIATOR	
R405			RK73HB1J222J	CHIP R 2.2K J 1/16W		D613-616			CVS10A180M	VARIATOR	
R406			RK73HH1J123D	CHIP R 12K D 1/16W		IC1			XC6219B332PR	ANALOGUE IC	
R408			RK73HB1J101J	CHIP R 100 J 1/16W		IC2			XC6219B182PR	ANALOGUE IC	
R409			RK73HB1J000J	CHIP R 0.0 J 1/16W		IC3			OZ9922ITN-A11	ANALOGUE IC	
R411			RK73HB1J000J	CHIP R 0.0 J 1/16W		IC4			SI-3012KM	ANALOGUE IC	
R413,414			RK73FB2B470J	CHIP R 47 J 1/8W		IC5			XC6201P332PR	ANALOGUE IC	
R415			RK73HH1J202D	CHIP R 2.0K D 1/16W		IC200	*		AT25DF321-8B3	ROM IC	
R416			RK73HH1J102D	CHIP R 1.0K D 1/16W		IC201			MST7702-A-LF	MOS-IC	
R417			RK73HB1J222J	CHIP R 2.2K J 1/16W		IC202			74VHCT04AFT-F	MOS-IC	
R418			RK73HH1J153D	CHIP R 15K D 1/16W		IC203			M12L641645TIR	DRAM IC	
R419			RK73HH1J103D	CHIP R 10K D 1/16W		IC204			TC7WH14FU-F	MOS-IC	
R420			RK73HH1J752D	CHIP R 7.5K D 1/16W		IC205			74AHC1G04GW	MOS-IC	
R421			RK73HH1J103D	CHIP R 10K D 1/16W		IC400			TA75W558FU-F	ANALOGUE IC	
R422			RK73HH1J332D	CHIP R 3.3K D 1/16W		IC401			NJM2107F-ZB	ANALOGUE IC	
R423			RK73HH1J103D	CHIP R 10K D 1/16W		Q1			DTC114YE	DIGITAL TRANSISTOR	
R425			RK73HB1J103J	CHIP R 10K J 1/16W		Q2			TPC8020-H	FET	
R426			RK73FB2B000J	CHIP R 0.0 J 1/8W		Q3			DTA114YE	DIGITAL TRANSISTOR	
R500			RK73FB2B000J	CHIP R 0.0 J 1/8W		Q4			TPCF8104-F	FET	
R501,502			RK73HB1J333J	CHIP R 33K J 1/16W		Q6 -8			TPCP8201-F	DUAL FET	
R504-507			RK73HB1J000J	CHIP R 0.0 J 1/16W		Q9			DTA114YE	DIGITAL TRANSISTOR	
R512-515			RK73GB2A100J	CHIP R 10 J 1/10W		Q10			DTC114YE	DIGITAL TRANSISTOR	
R604-607			RK73GB2A000J	CHIP R 0.0 J 1/10W		Q13			2SB1188(F)	TRANSISTOR	
R610-613			RK73GB2A000J	CHIP R 0.0 J 1/10W		Q14			2SC4081	TRANSISTOR	
R614			RK73EB2E101J	CHIP R 100 J 1/4W		Q15			2SA1576A	TRANSISTOR	
R615			RK73EB2E121J	CHIP R 120 J 1/4W		Q16			2SC4081	TRANSISTOR	
R616-619			RK73EB2E101J	CHIP R 100 J 1/4W		Q17			TPCF8104-F	FET	
R620-623			RK73GB2A000J	CHIP R 0.0 J 1/10W		Q18			2SC4097	TRANSISTOR	
R624-626			RK73GH2A331D	CHIP R 330 D 1/10W		Q19			DTC114YE	DIGITAL TRANSISTOR	
R627-629			RK73EB2E100J	CHIP R 10 J 1/4W		Q20			DTA114YE	DIGITAL TRANSISTOR	
R632			RK73HB1J221J	CHIP R 220 J 1/16W		Q21			2SA1577	TRANSISTOR	
R633			RK73EB2E100J	CHIP R 10 J 1/4W		Q22			2SA1576A	TRANSISTOR	
R634-636			RK73GH2A361D	CHIP R 360 D 1/10W		Q23			2SC4081	TRANSISTOR	
R640,641			RK73GB2A000J	CHIP R 0.0 J 1/10W		Q24			DTC114YE	DIGITAL TRANSISTOR	
R642-648			RK73HB1J000J	CHIP R 0.0 J 1/16W		Q25			DTA114YE	DIGITAL TRANSISTOR	
R649,650			RK73GB2A000J	CHIP R 0.0 J 1/10W		Q26			DTC114YE	DIGITAL TRANSISTOR	
R651			RK73GH2A331D	CHIP R 330 D 1/10W		Q27			DTA114YE	DIGITAL TRANSISTOR	
R652			RK73GH2A361D	CHIP R 360 D 1/10W		Q28			DTC114YE	DIGITAL TRANSISTOR	
R653-656			RK73HB1J473J	CHIP R 47K J 1/16W		Q200			DTC114YE	DIGITAL TRANSISTOR	

E1: DNX9240BT E2: DDX8024BT (Europe) Q1: DDX8054BT (Russian)  
K: DNX9140 K1: DDX814 (North America)  
X1: DDX8034BT (Australia) R1: DDX8034BT (Latin America)  
M1: DDX8034BT M2: DDX8034BTM (Other Areas)

△ Indicates safety critical components.

# PARTS LIST

## VIDEO UNIT (X35-5010-11)

Ref. No.	Add	New	Parts No.	Description	Destination
Q201			2SC4081	TRANSISTOR	
Q401			2SC4097	TRANSISTOR	
Q402			2SA1577	TRANSISTOR	
Q403			UMZ1N	TRANSISTOR	
Q500			DTC114YE	DIGITAL TRANSISTOR	
Q501			DTC143ZE	DIGITAL TRANSISTOR	
Q502			DTA143ZE	DIGITAL TRANSISTOR	
Q503			DTC143ZE	DIGITAL TRANSISTOR	
Q504			DTA143ZE	DIGITAL TRANSISTOR	
Q505			DTC114YE	DIGITAL TRANSISTOR	
Q600-603			2SC4081	TRANSISTOR	

## DVD UNIT (X37-1250-00) IN DVD MECHA.

C3			CK73HB1A104K	CHIP C	0.10UF	K	
C4			CC73HCH1H471J	CHIP C	470PF	J	
C5 -7			CK73HB1E103K	CHIP C	0.010UF	K	
C8			CC73HCH1H471J	CHIP C	470PF	J	
C9			CK73HB0J105K	CHIP C	1.0UF	K	
C11 ,12			CK73HB1E103K	CHIP C	0.010UF	K	
C13			CK73HB1H472K	CHIP C	4700PF	K	
C14			CK73GB0J106M	CHIP C	10UF	M	
C15			CK73HB1A104K	CHIP C	0.10UF	K	
C16			CK73GB0J106M	CHIP C	10UF	M	
C17			CK73GB0J475K	CHIP C	4.7UF	K	
C18			CK73FB0J226M	CHIP C	22UF	M	
C21			CK73GB0J106M	CHIP C	10UF	M	
C22 ,23			CK73GB0J475K	CHIP C	4.7UF	K	
C50			CK73HB1E103K	CHIP C	0.010UF	K	
C51			CK73HB1A104K	CHIP C	0.10UF	K	
C52			CK73HB1E223K	CHIP C	0.022UF	K	
C53			CC73HCH1H470J	CHIP C	47PF	J	
C54			CC73HCH1H102J	CHIP C	1000PF	J	
C55			CC73HCH1H100D	CHIP C	10PF	D	
C56			CC73HCH1H102J	CHIP C	1000PF	J	
C57			CC73HCH1E681J	CHIP C	680PF	J	
C58			CK73HB1H682K	CHIP C	6800PF	K	
C60 ,61			CK73HB1A104K	CHIP C	0.10UF	K	
C62			CC73HCH1H102J	CHIP C	1000PF	J	
C63			CC73HCH1H331J	CHIP C	330PF	J	
C64			CK73HB1H222K	CHIP C	2200PF	K	
C65			CC73HCH1E681J	CHIP C	680PF	J	
C66			CK73HB1H152K	CHIP C	1500PF	K	
C67 ,68			CC73HCH1H102J	CHIP C	1000PF	J	
C69 -72			CC73HCH1H151J	CHIP C	150PF	J	
C73 -82			CK73HB1A104K	CHIP C	0.10UF	K	
C84			CK73HB0J105K	CHIP C	1.0UF	K	
C85			CK73HB1A104K	CHIP C	0.10UF	K	
C90			CK73HB1E103K	CHIP C	0.010UF	K	
C93 -95			CK73HB1A104K	CHIP C	0.10UF	K	
C97			CK73HB1A104K	CHIP C	0.10UF	K	
C99			CK73HB1A104K	CHIP C	0.10UF	K	
C100			CK73FB0J226M	CHIP C	22UF	M	
C101			CK73GB0J475K	CHIP C	4.7UF	K	
C103			CK73FB0J226M	CHIP C	22UF	M	
C104			CK73GB0J475K	CHIP C	4.7UF	K	

Ref. No.	Add	New	Parts No.	Description	Destination
C120,121			CK73HB1E223K	CHIP C	0.022UF K
C143,144			CC73HCH1H100D	CHIP C	10PF D
C202			CK73FB0J226M	CHIP C	22UF M
C207,208			CK73HB1A104K	CHIP C	0.10UF K
C210			CK73HB1A104K	CHIP C	0.10UF K
C212			CK73HB1A104K	CHIP C	0.10UF K
C213			CK73HB1H332K	CHIP C	3300PF K
C214,215			CK73HB1A104K	CHIP C	0.10UF K
C216			CC73HCH1H471J	CHIP C	470PF J
C217			CK73HB1A104K	CHIP C	0.10UF K
C218			CK73HB1C473K	CHIP C	0.047UF K
C219-222			CK73HB1A104K	CHIP C	0.10UF K
C223			CK73HB0J105K	CHIP C	1.0UF K
C224			CK73HB1A104K	CHIP C	0.10UF K
C225			CK73GB0J475K	CHIP C	4.7UF K
C227			CK73FB0J226M	CHIP C	22UF M
C434			CK73GB0J106M	CHIP C	10UF M
C435			CK73HB1E103K	CHIP C	0.010UF K
C440-442			CK73FB0J226M	CHIP C	22UF M
C446			CC73HCH1H101J	CHIP C	100PF J
C447,448			CC73HCH1H102J	CHIP C	1000PF J
C449,450			CK73HB1H472K	CHIP C	4700PF K
C451			CC73HCH1H102J	CHIP C	1000PF J
C452-454			CK73HB0J105K	CHIP C	1.0UF K
C455			CK73FB0J226M	CHIP C	22UF M
CN1			E41-2594-05	FLAT CABLE CONNECTOR	
CN2			E41-2114-15	FLAT CABLE CONNECTOR	
CN3			E41-2596-05	FLAT CABLE CONNECTOR	
L1			L92-0365-05	CHIP FERRITE	
L5			L92-0365-05	CHIP FERRITE	
X2			L77-3803-05	CRYSTAL RESONATOR (16.897849MHZ)	
CP2 -4			RK74HB1J103J	CHIP-COM	10K J 1/16W
CP5 -9			RK74HB1J330J	CHIP-COM	33 J 1/16W
CP10			RK74HB1J820J	CHIP-COM	82 J 1/16W
CP11			RK74HB1J103J	CHIP-COM	10K J 1/16W
R1			RK73HB1J103J	CHIP R	10K J 1/16W
R3 ,4			RK73HB1J103J	CHIP R	10K J 1/16W
R5 ,6			RK73HH1J123D	CHIP R	12K D 1/16W
R7			RK73HH1J333D	CHIP R	33K D 1/16W
R8 ,9			RK73HB1J103J	CHIP R	10K J 1/16W
R10			RK73HB1J163J	CHIP R	16K J 1/16W
R11			RK73HB1J102J	CHIP R	1.0K J 1/16W
R13			RK73HB1J103J	CHIP R	10K J 1/16W
R16			RK73HB1J103J	CHIP R	10K J 1/16W
R17			RK73HB1J271J	CHIP R	270 J 1/16W
R19			RK73HB1J301J	CHIP R	300 J 1/16W
R21 ,22			RK73HH1J103D	CHIP R	10K D 1/16W
R31			RK73HB1J102J	CHIP R	1.0K J 1/16W
R50 ,51			RK73HB1J510J	CHIP R	51 J 1/16W
R52			RK73HH1J153D	CHIP R	15K D 1/16W
R53			RK73HB1J105J	CHIP R	1.0M J 1/16W
R54			RK73HB1J472J	CHIP R	4.7K J 1/16W
R55			RK73HB1J103J	CHIP R	10K J 1/16W
R56			RK73HH1J472D	CHIP R	4.7K D 1/16W

E1: DNX9240BT E2: DDX8024BT (Europe) Q1: DDX8054BT (Russian)  
K: DNX9140 K1: DDX814 (North America)  
X1: DDX8034BT (Australia) R1: DDX8034BT (Latin America)  
M1: DDX8034BT M2: DDX8034BTM (Other Areas)

△ Indicates safety critical components.

# PARTS LIST

The IC3, and IC11 in the DVD unit (X37-1250-00) are not replaceable components. When these ICs are defective, replace the whole DVD mechanism assembly (X92-6400-00).

## DVD UNIT (X37-1250-00) IN DVD MECHA.

Ref. No.	Add	New	Parts No.	Description	Destination
R57,58			RK73HB1J202J	CHIP R 2.0K J 1/16W	
R59,60			RK73HB1J103J	CHIP R 10K J 1/16W	
R63			RK73HB1J103J	CHIP R 10K J 1/16W	
R64,65			RK73HB1J472J	CHIP R 4.7K J 1/16W	
R81			RK73HB1J102J	CHIP R 1.0K J 1/16W	
R83,84			RK73HB1J473J	CHIP R 47K J 1/16W	
R85			RK73HB1J223J	CHIP R 22K J 1/16W	
R86			RK73HB1J103J	CHIP R 10K J 1/16W	
R87			RK73HB1J105J	CHIP R 1.0M J 1/16W	
R88			RK73HB1J222J	CHIP R 2.2K J 1/16W	
R89,90			RK73HB1J123J	CHIP R 12K J 1/16W	
R91			RK73HB1J472J	CHIP R 4.7K J 1/16W	
R92			RK73HB1J273J	CHIP R 27K J 1/16W	
R96			RK73HB1J103J	CHIP R 10K J 1/16W	
R98			RK73HB1J202J	CHIP R 2.0K J 1/16W	
R101			RK73HH1J273D	CHIP R 27K D 1/16W	
R105			RK73HB1J103J	CHIP R 10K J 1/16W	
R120			RK73HB1J103J	CHIP R 10K J 1/16W	
R121			RK73HB1J820J	CHIP R 82 J 1/16W	
R122			RK73HB1J103J	CHIP R 10K J 1/16W	
R123			RK73HB1J330J	CHIP R 33 J 1/16W	
R124-126			RK73HB1J820J	CHIP R 82 J 1/16W	
R150,151			RK73HB1J102J	CHIP R 1.0K J 1/16W	
R152,153			RK73HB1J104J	CHIP R 100K J 1/16W	
R154,155			RK73HB1J103J	CHIP R 10K J 1/16W	
R158,159			RK73HB1J1R0J	CHIP R 1.0 J 1/16W	
R160			R92-3350-05	CHIP R 2.2 F 1/10W	
R162,163			RK73HB1J104J	CHIP R 100K J 1/16W	
R164,165			RK73HH1J101D	CHIP R 100 D 1/16W	
R167			RK73HH1J113D	CHIP R 11K D 1/16W	
R168			RK73HH1J273D	CHIP R 27K D 1/16W	
R169			RK73HB1J125J	CHIP R 1.2M J 1/16W	
R255			R92-5112-05	CHIP R 4.7 F 1/10W	
R257			RK73HH1J202D	CHIP R 2.0K D 1/16W	
R260			RK73HH1J132D	CHIP R 1.3K D 1/16W	
R261			RK73HH1J203D	CHIP R 20K D 1/16W	
R262			RK73HB1J821J	CHIP R 820 J 1/16W	
R263			RK73HB1J242J	CHIP R 2.4K J 1/16W	
R272			RK73HH1J682D	CHIP R 6.8K D 1/16W	
R273			RK73HH1J122D	CHIP R 1.2K D 1/16W	
R274			RK73HH1J682D	CHIP R 6.8K D 1/16W	
R275			RK73HH1J122D	CHIP R 1.2K D 1/16W	
R278			R92-5112-05	CHIP R 4.7 F 1/10W	
R284			RK73HB1J000J	CHIP R 0.0 J 1/16W	
R288			R92-3416-05	METAL GR 0.27 1/2W	
R289			RK73HB1J000J	CHIP R 0.0 J 1/16W	
R297			RK73HB1J000J	CHIP R 0.0 J 1/16W	
R298,299			RK73HB1J330J	CHIP R 33 J 1/16W	
R300			RK73HB1J103J	CHIP R 10K J 1/16W	
S1			S68-0911-15	PUSH SWITCH	
S2			S68-0917-05	PUSH SWITCH	
D1			1SS402-F	DIODE	
D5,6			015AZ5.1-F(Y)	ZENER DIODE	
D8			1SS387-F	DIODE	

Ref. No.	Add	New	Parts No.	Description	Destination
IC1			AN22022ABV	ANALOGUE IC	
IC3			-	ROM IC	
IC4			MN103S71F	MOS-IC	
IC5			S1000N28I4T1G	ANALOGUE IC	
IC10			AN41250A-VB	ANALOGUE IC	
IC11			-	ROM IC	
IC13			NJM2845DL115B	ANALOGUE IC	
IC14			NJM2845DL133B	ANALOGUE IC	
Q1 -4			DTA143XE	DIGITAL TRANSISTOR	
Q12,13			2SB1709	TRANSISTOR	
Q16			UM6K1N	DUAL FET	

## DAUGHTER UNIT (X89-3062-72)

C1			CC73GCH1H180J	CHIP C 18PF	J	E1
C2			CC73GCH1H070D	CHIP C 7.0PF	D	E1
C3			CC73GCH1H150J	CHIP C 15PF	J	E1
C4			CC73GCH1H180J	CHIP C 18PF	J	E1
C5			CC73GCH1H390J	CHIP C 39PF	J	E1
C6			CC73GCH1H020C	CHIP C 2.0PF	C	E1
C7			CC73GCH1H120J	CHIP C 12PF	J	E1
C8			CK73FB1C105K	CHIP C 1.0UF	K	E1
C10-12			CC73GCH1H102J	CHIP C 1000PF	J	E1
C13			CC73GCH1H221J	CHIP C 220PF	J	E1
C14			CC73GCH1H030C	CHIP C 3.0PF	C	E1
C15,16			CC73GCH1H560J	CHIP C 56PF	J	E1
C17			CC73GCH1H102J	CHIP C 1000PF	J	E1
CN2			E41-3009-05	PIN ASSY		E1
W1			E30-6884-05	CORD WITH PLUG		E1
W2			E30-6885-05	CORD WITH PLUG		E1
L1			L41-2705-33	SMALL FIXED INDUCTOR (27U)		E1
L2			L41-1588-18	SMALL FIXED INDUCTOR		E1
L3			L41-1805-33	SMALL FIXED INDUCTOR (18U)		E1
L4,5			L41-1588-18	SMALL FIXED INDUCTOR		E1
L6			L19-0825-05	BALUN TRANSFORMER		E1
L8			L41-1888-18	SMALL FIXED INDUCTOR (0.18U)		E1
R1			RK73GB2A104J	CHIP R 100K	J 1/10W	E1
R3			RK73GB2A562J	CHIP R 5.6K	J 1/10W	E1
R4			RK73GB2A332J	CHIP R 3.3K	J 1/10W	E1
R5			RK73GB2A331J	CHIP R 330	J 1/10W	E1
R6			RK73GB2A391J	CHIP R 390	J 1/10W	E1
R7,8			RK73GB2A330J	CHIP R 33	J 1/10W	E1
R10			RK73GB2A431J	CHIP R 430	J 1/10W	E1
R11			RK73GB2A270J	CHIP R 27	J 1/10W	E1
R12			RK73GB2A431J	CHIP R 430	J 1/10W	E1
R13			RK73GB2A151J	CHIP R 150	J 1/10W	E1
R14			RK73GB2A431J	CHIP R 430	J 1/10W	E1
R15			RK73GB2A270J	CHIP R 27	J 1/10W	E1
R17			RK73GB2A431J	CHIP R 430	J 1/10W	E1
D1			IMSA-6801-E	SURGE ABSORBER		E1
Q1			2SC3357-A	TRANSISTOR		E1

## DVD MECHANISM ASSY (X92-6400-00) (DVS-8220W)

1	1A	A10-5523-01+	CHASSIS	
2	2B	A10-5524-01+	CHASSIS	

**E1:** DNX9240BT **E2:** DDX8024BT (Europe) **Q1:** DDX8054BT (Russian)  
**K:** DNX9140 **K1:** DDX814 (North America)  
**X1:** DDX8034BT (Australia) **R1:** DDX8034BT (Latin America)  
**M1:** DDX8034BT **M2:** DDX8034BTM (Other Areas)

△ Indicates safety critical components.

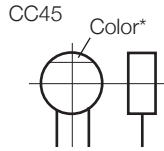


# PARTS LIST

## CAPACITORS

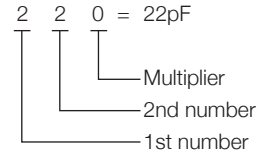
$\frac{CC}{1} \frac{45}{2} \frac{TH}{3} \frac{1H}{4} \frac{220}{5} \frac{J}{6}$

- 1 = Type ... ceramic, electrolytic, etc.
- 2 = Shape ... round, square, etc.
- 3 = Temp. coefficient
- 4 = Voltage rating
- 5 = Value
- 6 = Tolerance



### • Capacitor value

- 010 = 1pF
- 100 = 10pF
- 101 = 100pF
- 102 = 1000pF = 0.001μF
- 103 = 0.01μF



### • Temperature coefficient

1st Word	C	L	P	R	S	T	U
Color*	Black	Red	Orange	Yellow	Green	Blue	Violet
ppm/°C	0	-80	-150	-220	-330	-470	-750

2nd Word	G	H	J	K	L
ppm/°C	±30	±60	±120	±250	±500

Example : CC45TH = -470±60ppm/°C

### • Tolerance (More than 10pF)

Code	C	D	G	J	K	M	X	Z	P	No code
(%)	±0.25	±0.5	±2	±5	±10	±20	+40 -20	+80 -20	+100 -0	More than 10μF : -10~+50 Less than 4.7μF : -10~+75

### (Less than 10pF)

Code	B	C	D	F	G
(pF)	±0.1	±0.25	±0.5	±1	±2

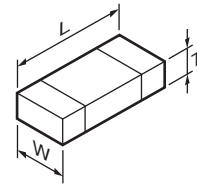
### • Voltage rating

2nd word \ 1st word	A	B	C	D	E	F	G	H	J	K	V
0	1.0	1.25	1.6	2.0	2.5	3.15	4.0	5.0	6.3	8.0	-
1	10	12.5	16	20	25	31.5	40	50	63	80	35
2	100	125	160	200	250	315	400	500	630	800	-
3	1000	1250	1600	2000	2500	2150	4000	5000	6300	8000	-

### • Chip capacitors

- (EX)  $\frac{CC}{1} \frac{73}{2} \frac{F}{3} \frac{SL}{4} \frac{1H}{5} \frac{000}{6} \frac{J}{7}$  Refer to the table above.
- 1 = Type
  - 2 = Shape
  - 3 = Dimension
  - 4 = Temp. coefficient
  - 5 = Voltage rating
  - 6 = Value
  - 7 = Tolerance
- (Chip) (CH, RH, UJ, SL)
- (EX)  $\frac{CK}{1} \frac{73}{2} \frac{F}{3} \frac{F}{4} \frac{1H}{5} \frac{000}{6} \frac{Z}{7}$
- (Chip) (B, F)

### • Dimension



### Chip capacitor

Code	L	W	T
Empty	5.6±0.5	5.0±0.5	Less than 2.0
A	4.5±0.5	3.2±0.4	Less than 2.0
B	4.5±0.5	2.0±0.3	Less than 2.0
C	4.5±0.5	1.25±0.2	Less than 1.25
D	3.2±0.4	2.5±0.3	Less than 1.5
E	3.2±0.2	1.6±0.2	Less than 1.25
F	2.0±0.3	1.25±0.2	Less than 1.25
G	1.6±0.2	0.8±0.2	Less than 1.0
H	1.0±0.05	0.5±0.05	0.5±0.05

### Chip resistor

Code	L	W	T
E	3.2±0.2	1.6±0.2	1.0
F	2.0±0.3	1.25±0.2	1.0
G	1.6±0.2	0.8±0.2	0.5±0.1
H	1.0±0.05	0.5±0.05	0.35±0.05

## RESISTORS

### • Chip resistor (Carbon)

- (EX)  $\frac{RD}{1} \frac{73}{2} \frac{E}{3} \frac{B}{4} \frac{2B}{5} \frac{000}{6} \frac{J}{7}$
- (Chip) (B, F)

### • Carbon resistor (Normal type)

- (EX)  $\frac{RD}{1} \frac{14}{2} \frac{B}{3} \frac{B}{4} \frac{2C}{5} \frac{000}{6} \frac{J}{7}$

- 1 = Type
- 2 = Shape
- 3 = Dimension
- 4 = Temp. coefficient
- 5 = Rating wattage
- 6 = Value
- 7 = Tolerance

### • Rating wattage

Code	Wattage	Code	Wattage	Code	Wattage
1J	1/16W	2C	1/6W	3A	1W
2A	1/10W	2E	1/4W	3D	2W
2B	1/8W	2H	1/2W		

## SPECIFICATIONS (K,R TYPE)

### Monitor section

Picture Size .....	6.98 inches (diagonal) wide 157.2 mm (W) x 82.3 mm (H)
Display System.....	Transparent TN LCD panel
Drive System .....	TFT active matrix system
Number of Pixels.....	1,152,000 (800H x 480V x RGB)
Effective Pixels .....	99.99 %
Pixel Arrangement .....	RGB striped arrangement
Back Lighting .....	Cold Cathode Fluorescent Tube

### DVD player section

D/A Converter.....	24 bit
Audio Decoder .....	Linear PCM/ Dolby ProLogic II/ Dolby Digital/dts/ MP3/ WMA/ AAC/ WAV
Video Decoder.....	MPEG1/ MPEG2/ DivX
Wow & Flutter .....	Below Measurable Limit
Frequency Response	
Sampling frequency; 96 kHz.....	20 – 22,000 Hz
Sampling frequency; 48 kHz.....	20 – 22,000 Hz
Sampling frequency; 44.1 kHz.....	20 – 20,000 Hz
Total Harmonic Distortion.....	0.008 % (1 kHz)
S/N Ratio (dB).....	98 dB (DVD-Video 96 kHz)
Dynamic Range .....	98 dB (DVD-Video 96 kHz)
Disc Format .....	DVD-Video/ VIDEO-CD/ CD-DA
Sampling Frequency .....	44.1/ 48/ 96 kHz
Quantifying Bit Number .....	16/ 20/ 24 bit

### USB interface section

USB Standard .....	USB 2.0 High speed
File System .....	FAT 16/ 32
Maximum Power Supply Current .....	500 mA
D/A Converter.....	24 Bit
Video Decoder.....	MPEG1/ MPEG2/ DivX
Audio Decoder .....	MP3/ WMA/ AAC/ WAV

### Bluetooth section

Technology .....	Bluetooth Ver.1.2 Certified
Frequency.....	2.402 – 2.480 GHz
Output Power .....	+4dBm (MAX), 0dBm (AVE), Power Class2
Maximum Communication range	
.....	Line of sight approx. 10m (32.8 ft)
Profile .....	HFP (Hands Free Profile), SPP (Serial Port Profile), HSP (Headset Profile), A2DP (Advanced Audio Distribution Profile), AVRCP (Audio/Video Remote Control Profile), OPP (Object Push Profile), PBAP (Phonebook Access Profile), SYNC (Synchronization Profile)

### FM tuner section

Frequency Range	
200 kHz.....	87.9 MHz – 107.9 MHz (DNX9140/DDX814)
50 kHz.....	87.5 MHz – 108.0 MHz (DDX8034BT)

Usable Sensitivity (S/N : 30 dB) .....	9.3 dBf (0.8 $\mu$ V/ 75 $\Omega$ )
Quieting Sensitivity (S/N : 50 dB) .....	15.2 dBf (1.6 $\mu$ V/ 75 $\Omega$ )
Frequency Response ( $\pm$ 3.0 dB).....	30 Hz – 15 kHz
S/N Ratio (dB).....	70 dB (MONO)
Selectivity ( $\pm$ 400 kHz) .....	$\geq$ 80 dB
Stereo Separation.....	35 dB (1 kHz)

### AM tuner section

Frequency Range (10 kHz) .....	530 kHz – 1700 kHz
Usable Sensitivity .....	28 dB $\mu$

### Video section

Color System of External Video Input .....	NTSC
External Video Input Level (RCA jacks) .....	1 Vp-p/ 75 $\Omega$
External Audio Max Input Level (RCA jacks).....	2 V/ 25 k $\Omega$
Video Output Level (RCA jacks) .....	1 Vp-p/ 75 $\Omega$
Audio Output Level (RCA jacks).....	1.2 V/ 10 k $\Omega$
Analog RGB input (DDX814/DDX8034BT only)	
.....	0.7 Vp-p/ 75 $\Omega$

### Audio section

Maximum Power (Front & Rear) .....	50 W x 4
Full Bandwidth Power (Front & Rear)	
(4 $\Omega$ , 14.4 V, 1 % THD) .....	22 W x 4
Preout Level (V) .....	5 V/ 10 k $\Omega$
Preout Impedance .....	80 $\Omega$
Speaker Impedance .....	4 – 8 $\Omega$

### DSP Section

Graphics equalizer	
Band .....	13 Band
Frequency (BAND1 – 13) .....	62.5/ 100/ 160/ 250/ 400/ 630/ 1k/ 1.6k/ 2.5k/ 4k/ 6.3k/ 10k/ 16k Hz
Channel.....	Front/ Rear/ Center
Gain .....	-9/ -8/ -7/ -6/ -5/ -4/ -3/ -2/ -1/ 0/ 1/ 2/ 3/ 4/ 5/ 6/ 7/ 8/ 9 dB

### X'over

High pass filter	
Frequency .....	Through, 30/ 40/ 50/ 60/ 70/ 80/ 90/ 100/ 120/ 150/ 180/ 220/ 250 Hz
Slope.....	-6/ -12/ -18/ -24 dB
Low pass filter	
Frequency .....	30/ 40/ 50/ 60/ 70/ 80/ 90/ 100/ 120/ 150/ 180/ 220/ 250 Hz, Through
Slope.....	-6/ -12/ -18/ -24 dB
Time alignment	
Front/ Rear/ Subwoofer .....	0 – 20.01 ft (0.07 ft Step)
Center .....	0 – 11.15 ft (0.07 ft Step)
Channel Level.....	$\pm$ 10 dB



## SPECIFICATIONS (K,R TYPE)

### Navigation section (DNX9140 only)

Receiver.....	High-sensitivity GPS receiver
Reception Frequency .....	1575.42 MHz (C/A code)
Acquisition Times	
Cold .....	< 38 seconds
Factory Reset.....	< 45 seconds
	(On average for a stationary receiver with a clear view of the sky)
Accuracy	
Position.....	< 10 meters typical
Velocity.....	0.05 m/sec. RMS
Position Method .....	GPS
Antenna .....	External GPS antenna

### External SW

Maximum Power Supply Current .....	500 mA
------------------------------------	--------

### General

Operating voltage.....	14.4 V (10.5 – 16 V allowable)
Maximum Current Consumption .....	15 A
Installation Dimensions (W × H × D)	
.....	181.7 × 111.2 × 163 mm
	7-3/16 x 4-7/16 x 6-7/16 inch
Operational Temperature Range .....	-10 °C – +60 °C
Storage Temperature Range .....	-20 °C – +85 °C
Weight	
DNX9140.....	2.6 kg (5.7 lbs)
DDX814/DDX8034BT .....	2.55 kg (5.6 lbs)

### Laser section

Laser wavelength .....	770 – 800 nm (CD)
	663 – 673 nm (DVD)
Laser power class .....	Class 1M (IEC)

## SPECIFICATIONS (E,Q TYPE)

### Monitor section

Picture Size .....	6.98 inches (diagonal) wide
	157.2 mm (W) x 82.3 mm (H)
Display System.....	Transparent TN LCD panel
Drive System .....	TFT active matrix system
Number of Pixels .....	1,152,000 (800H x 480V x RGB)
Effective Pixels .....	99.99 %
Pixel Arrangement .....	RGB striped arrangement
Back Lighting .....	Cold Cathode Fluorescent Tube

### DVD player section

D/A Converter.....	24 bit
Audio Decoder .....	Linear PCM/ Dolby ProLogic II/ Dolby Digital/ dts/ MP3/ WMA/ AAC/ WAV
Video Decoder.....	MPEG1/ MPEG2/ DivX
Wow & Flutter .....	Below Measurable Limit
Frequency Response	
Sampling frequency; 96 kHz.....	20 – 22,000 Hz
Sampling frequency; 48 kHz.....	20 – 22,000 Hz
Sampling frequency; 44.1 kHz.....	20 – 20,000 Hz
Total Harmonic Distortion.....	0.008 % (1 kHz)
S/N Ratio (dB).....	98 dB (DVD-Video 96 kHz)
Dynamic Range .....	98 dB (DVD-Video 96 kHz)
Disc Format .....	DVD-Video/ VIDEO-CD/ CD-DA

Sampling Frequency .....	44.1/ 48/ 96 kHz
Quantifying Bit Number.....	16/ 20/ 24 bit

### USB interface section

USB Standard .....	USB 2.0 High speed
File System .....	FAT 16/ 32
Maximum Power Supply Current .....	500 mA
D/A Converter.....	24 Bit
Video Decoder.....	MPEG1/ MPEG2/ DivX
Audio Decoder .....	MP3/ WMA/ AAC/ WAV

### SD card section (DDX8024BT/ DDX8054BT only)

Compatible SD card.....	SD card, SDHC card, miniSD card, miniSDHC card, microSD card, microSDHC card
File System .....	FAT 12/ 16/ 32
Capacity .....	8 M – 32 G Byte
Video Decoder.....	MPEG1/ MPEG2/ DivX
Audio Decoder .....	MP3/ WMA/ AAC/ WAV

### Bluetooth section

Technology .....	Bluetooth Ver.1.2 Certified
Frequency.....	2.402 – 2.480 GHz
Output Power .....	+4dBm (MAX), 0dBm (AVE), Power Class2

## SPECIFICATIONS (E,Q TYPE)

Maximum Communication range  
..... Line of sight approx. 10m (32.8 ft)  
Profile ..... HFP (Hands Free Profile), SPP (Serial Port Profile), HSP (Headset Profile), A2DP (Advanced Audio Distribution Profile), AVRCP (Audio/Video Remote Control Profile), OPP (Object Push Profile), PBAP (Phonebook Access Profile), SYNC (Synchronization Profile)

### FM tuner section

Frequency Range (50 kHz) ..... 87.5 MHz – 108.0 MHz  
Usable Sensitivity (S/N : 26 dB)  
..... 0.9  $\mu$ V/ 75  $\Omega$  (DNX9240BT)  
..... 0.7  $\mu$ V/ 75  $\Omega$  (DDX8024BT/ DDX8054BT)  
Quieting Sensitivity (S/N : 46 dB)  
..... 2.0  $\mu$ V/ 75  $\Omega$  (DNX9240BT)  
..... 1.6  $\mu$ V/ 75  $\Omega$  (DDX8024BT/ DDX8054BT)  
Frequency Response ( $\pm$  3.0 dB) ..... 30 Hz – 15 kHz  
S/N Ratio (dB) ..... 65 dB (MONO)  
Selectivity ( $\pm$  400 kHz) .....  $\geq$  80 dB  
Stereo Separation ..... 35 dB (1 kHz)

### LW tuner section

Frequency Range (9 kHz) ..... 153 kHz – 281 kHz  
Usable Sensitivity ..... 45  $\mu$ V

### MW tuner section

Frequency Range (9 kHz) ..... 531 kHz – 1611 kHz  
Usable Sensitivity ..... 25  $\mu$ V

### Audio section

Maximum Power (Front & Rear) ..... 50 W x 4  
Full Bandwidth Power (Front & Rear)  
(PWR DIN 45324, +B=14.4V) ..... 30 W x 4  
Preout Level (V) ..... 5 V/ 10 k $\Omega$   
Preout Impedance ..... 80  $\Omega$   
Speaker Impedance ..... 4 – 8  $\Omega$

### Video section

Color System of External Video Input ..... NTSC, PAL  
External Video Input Level (RCA jacks) ..... 1 Vp-p/ 75  $\Omega$   
External Audio Max Input Level (RCA jacks) ..... 2 V/ 25 k $\Omega$   
Video Output Level (RCA jacks) ..... 1 Vp-p/ 75  $\Omega$   
Audio Output Level (RCA jacks) ..... 1.2 V/ 10 k $\Omega$   
Analog RGB input (DDX8024BT/DDX8054BT only)  
..... 0.7 Vp-p/ 75  $\Omega$

### DSP Section

Graphics equalizer  
Band ..... 13 Band  
Frequency (BAND1 – 13) ..... 62.5/ 100/ 160/ 250/ 400/  
630/ 1k/ 1.6k/ 2.5k/ 4k/ 6.3k/ 10k/ 16k Hz

Channel ..... Front/ Rear/ Center  
Gain ..... -9/ -8/ -7/ -6/ -5/ -4/ -3/ -2/ -1/  
0/ 1/ 2/ 3/ 4/ 5/ 6/ 7/ 8/ 9 dB

### X'over

High pass filter  
Frequency ..... Through, 30/ 40/ 50/ 60/ 70/ 80/  
90/ 100/ 120/ 150/ 180/ 220/ 250 Hz  
Slope ..... -6/ -12/ -18/ -24 dB  
Low pass filter  
Frequency ..... 30/ 40/ 50/ 60/ 70/ 80/ 90/ 100/  
120/ 150/ 180/ 220/ 250 Hz, Through  
Slope ..... -6/ -12/ -18/ -24 dB  
Time alignment  
Front/ Rear/ Subwoofer ..... 0 – 6.1 m (2 cm Step)  
Center ..... 0 – 3.4 m (2 cm Step)  
Channel Level .....  $\pm$  10 dB

### External SW

Maximum Power Supply Current ..... 500 mA

### Navigation section (DNX9240BT only)

Receiver ..... High-sensitivity GPS receiver  
Reception Frequency ..... 1575.42 MHz (C/A code)  
Acquisition Times  
Cold ..... < 38 seconds  
Factory Reset ..... < 45 seconds  
(On average for a stationary receiver with a clear view of the sky)  
Accuracy  
Position ..... < 10 meters typical  
Velocity ..... 0.05 m/sec. RMS  
Position Method ..... GPS  
Antenna ..... External GPS antenna

### General

Operating voltage ..... 14.4 V (10.5 – 16 V allowable)  
Maximum Current Consumption ..... 15 A  
Installation Dimensions (W x H x D)  
..... 182 x 112 x 163 mm  
7-3/16 x 4-7/16 x 6-7/16 inch  
Operational Temperature Range ..... -10  $^{\circ}$ C – +60  $^{\circ}$ C  
Storage Temperature Range ..... -20  $^{\circ}$ C – +85  $^{\circ}$ C  
Weight  
DNX9240BT ..... 2.6 kg (5.7 lbs)  
DDX8024BT/DDX8054BT ..... 2.55 kg (5.6 lbs)

### Laser section

Laser wavelength ..... 770 – 800 nm (CD)  
663 – 673 nm (DVD)  
Laser power class ..... Class 1M (IEC)

# SPECIFICATIONS (M,X TYPE)

## Monitor section

Picture Size ..... 6.98 inches (diagonal) wide  
157.2 mm (W) x 82.3 mm (H)  
Display System..... Transparent TN LCD panel  
Drive System .....TFT active matrix system  
Number of Pixels..... 1,152,000 (800H x 480V x RGB)  
Effective Pixels ..... 99.99 %  
Pixel Arrangement .....RGB striped arrangement  
Back Lighting ..... Cold Cathode Fluorescent Tube

## DVD player section

D/A Converter.....24 bit  
Audio Decoder ..... Linear PCM/ Dolby ProLogic II/  
Dolby Digital/ dts/ MP3/ WMA/ AAC/ WAV  
Video Decoder..... MPEG1/ MPEG2/ DivX  
Wow & Flutter ..... Below Measurable Limit  
Frequency Response  
Sampling frequency; 96 kHz.....20 – 22,000 Hz  
Sampling frequency; 48 kHz.....20 – 22,000 Hz  
Sampling frequency; 44.1 kHz.....20 – 20,000 Hz  
Total Harmonic Distortion..... 0.008 % (1 kHz)  
S/N Ratio (dB)..... 98 dB (DVD-Video 96 kHz)  
Dynamic Range ..... 98 dB (DVD-Video 96 kHz)  
Disc Format ..... DVD-Video/ VIDEO-CD/ CD-DA  
Sampling Frequency ..... 44.1/ 48/ 96 kHz  
Quantifying Bit Number ..... 16/ 20/ 24 bit

## USB interface section

USB Standard ..... USB 2.0 High speed  
File System.....FAT 16/ 32  
Maximum Power Supply Current ..... 500 mA  
D/A Converter..... 24 Bit  
Video Decoder..... MPEG1/ MPEG2/ DivX  
Audio Decoder ..... MP3/ WMA/ AAC/ WAV

## SD card section

Compatible SD card..... SD card, SDHC card, miniSD card,  
miniSDHC card, microSD card, microSDHC card  
File System.....FAT 12/ 16/ 32  
Capacity .....8 M – 32 G Byte  
Video Decoder..... MPEG1/ MPEG2/ DivX  
Audio Decoder ..... MP3/ WMA/ AAC/ WAV

## Bluetooth section

Technology ..... Bluetooth Ver.1.2 Certified  
Frequency..... 2.402 – 2.480 GHz  
Output Power ..... +4dBm (MAX), 0dBm (AVE), Power Class2  
Maximum Communication range  
..... Line of sight approx. 10m (32.8 ft)

Profile .....HFP (Hands Free Profile), SPP (Serial Port Profile), HSP (Headset Profile), A2DP (Advanced Audio Distribution Profile), AVRCP (Audio/Video Remote Control Profile), OPP (Object Push Profile), PBAP (Phonebook Access Profile), SYNC (Synchronization Profile)

## FM tuner section

Frequency Range  
200 kHz  
..... 87.9 MHz – 107.9 MHz (Region 4/ 6 models only)  
50 kHz..... 87.5 MHz – 108.0 MHz  
Usable Sensitivity (S/N : 30 dB) ..... 9.3 dBf (0.8  $\mu$ V/ 75  $\Omega$ )  
Quieting Sensitivity (S/N : 50 dB) ..... 15.2 dBf (1.6  $\mu$ V/ 75  $\Omega$ )  
Frequency Response ( $\pm$  3.0 dB).....30 Hz – 15 kHz  
S/N Ratio (dB)..... 70 dB (MONO)  
Selectivity ( $\pm$  400 kHz).....  $\geq$  80 dB  
Stereo Separation..... 35 dB (1 kHz)

## AM tuner section

Frequency Range  
AM (10 kHz)  
.....530 kHz – 1700 kHz (Region 4/ 6 models only)  
LW (9 kHz).....153 kHz – 281 kHz  
MW (9 kHz) .....531 kHz – 1611 kHz  
Usable Sensitivity  
AM.....28 db $\mu$   
LW .....45  $\mu$ V  
MW.....25  $\mu$ V

## Audio section

Maximum Power (Front & Rear) .....50 W x 4  
Full Bandwidth Power (Front & Rear)  
(at less than 1% THD) .....22 W x 4  
Preout Level (V) .....5 V/ 10 k $\Omega$   
Preout Impedance ..... 80  $\Omega$   
Speaker Impedance ..... 4 – 8  $\Omega$

## Video section

Color System of External Video Input ..... NTSC, PAL  
External Video Input Level (RCA jacks) ..... 1 Vp-p/ 75  $\Omega$   
External Audio Max Input Level (RCA jacks) .....2 V/ 25 k $\Omega$   
Video Output Level (RCA jacks) ..... 1 Vp-p/ 75  $\Omega$   
Audio Output Level (RCA jacks) .....1.2 V/ 10 k $\Omega$   
Analog RGB input.....0.7 Vp-p/ 75  $\Omega$

## DSP Section

Graphics equalizer  
Band ..... 13 Band  
Frequency (BAND1 – 13) ..... 62.5/ 100/ 160/ 250/ 400/  
630/ 1k/ 1.6k/ 2.5k/ 4k/ 6.3k/ 10k/ 16k Hz

## SPECIFICATIONS (M,X TYPE)

Channel.....Front/ Rear/ Center  
Gain ..... -9/ -8/ -7/ -6/ -5/ -4/ -3/ -2/ -1/  
0/ 1/ 2/ 3/ 4/ 5/ 6/ 7/ 8/ 9 dB  
X'over  
High pass filter  
Frequency ..... Through, 30/ 40/ 50/ 60/ 70/ 80/ 90/  
100/ 120/ 150/ 180/ 220/ 250 Hz  
Slope..... -6/ -12/ -18/ -24 dB  
Low pass filter  
Frequency ..... 30/ 40/ 50/ 60/ 70/ 80/ 90/ 100/  
120/ 150/ 180/ 220/ 250 Hz, Through  
Slope..... -6/ -12/ -18/ -24 dB  
Time alignment  
Front/ Rear/ Subwoofer .....0 – 6.1 m (2 cm Step)  
Center .....0 – 3.4 m (2 cm Step)  
Channel Level..... ± 10 dB

### External SW

Maximum Power Supply Current ..... 500 mA

### General

Operating voltage..... 14.4 V (10.5 – 16 V allowable)  
Maximum Current Consumption ..... 15 A  
Installation Dimensions (W × H × D)  
..... 182 × 112 × 163 mm  
7-3/16 x 4-7/16 x 6-7/16 inch  
Operational Temperature Range ..... -10 °C – +60 °C  
Storage Temperature Range ..... -20 °C – +85 °C  
Weight ..... 2.55 kg (5.6 lbs)

### Laser section

Laser wavelength ..... 770 – 800 nm (CD)  
663 – 673 nm (DVD)  
Laser power class ..... Class 1M (IEC)

---

KENWOOD follows a policy of continuous advancements in development. For this reason specifications may be changed without notice.

US and foreign patents licensed from Dolby Laboratories. Although the effective pixels for the liquid crystal panel is given as 99.99% or more, 0.01% of pixels may not light or may light incorrectly.

---

#### DANGER:

Please do not look at the laser beam directly during repair or operation check.

#### CAUTION

VISIBLE OR INVISIBLE CLASS 1M LASER RADIATION WHEN OPEN. DO NOT VIEW DIRECTLY WITH OPTICAL INSTRUMENTS.

Inside this laser product, a laser diode classified as Class 1M laser radiation is contained. Do not view directly with optical instruments.